

PLEASE CHECK WWW.MOLEX.COM FOR LATEST PART INFORMATION

Part Number: [0357201210](#)
Status: **Active**
Description: 5.21mm (.205") Slip-On Receptacle Terminal, Quick Disconnect, 0.50mm (.020") Tab Thickness, Wire Range 16-20 AWG (1.31-0.52mm²), Post-Tin Plated

Documents:

[Drawing \(PDF\)](#) [RoHS Certificate of Compliance \(PDF\)](#)
[Product Specification PS-35703-001 \(PDF\)](#)

Agency Certification

CSA LR95446
 UL E92853

General

Product Family Quick Disconnects
 Series [35720](#)
 Crimp Quality Equipment Yes
 Product Name Slip-On
 Type Quick Disconnect

Physical

Barrel Type Open
 Gender Female
 Glow-Wire Compliant No
 Insulation None
 Lock to Mating Part Yes
 Material - Metal Brass
 Orientation Straight
 Packaging Type Reel
 Polarized to Mating Part No
 Tab Thickness 0.51mm (.020")
 Tab Width 5.21mm (.205")
 Temperature Range - Operating -40°C to +105°C
 Wire Insulation Diameter 3.10mm (.122") max.
 Wire Size AWG 16, 18, 20
 Wire Size mm² 0.50 - 1.30

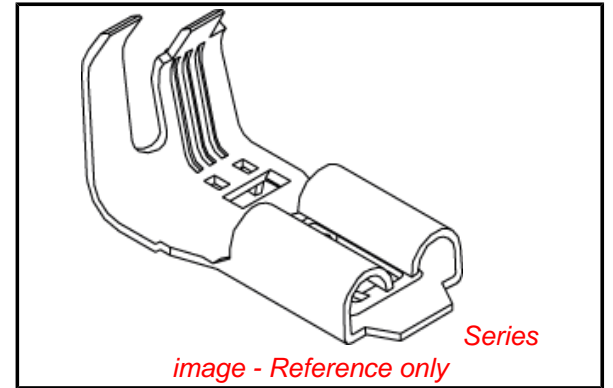
Electrical

Voltage - Maximum 250V

Material Info

Reference - Drawing Numbers

Product Specification PS-35703-001
 Sales Drawing SD-35720-12*0/13*0/1, SD-35720-120



EU RoHS

ELV and RoHS Compliant
REACH SVHC Contains SVHC: No
Halogen-Free Status

China RoHS



Need more information on product environmental compliance?

Email productcompliance@molex.com
 For a multiple part number RoHS Certificate of Compliance, [click here](#)

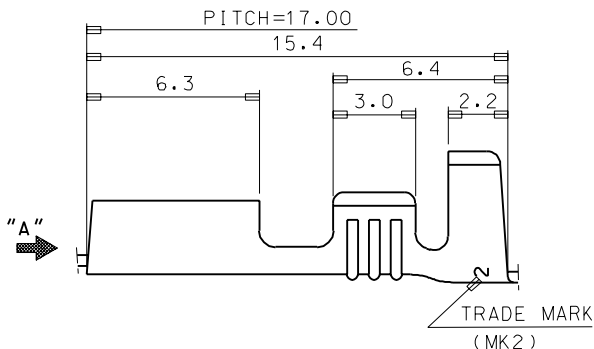
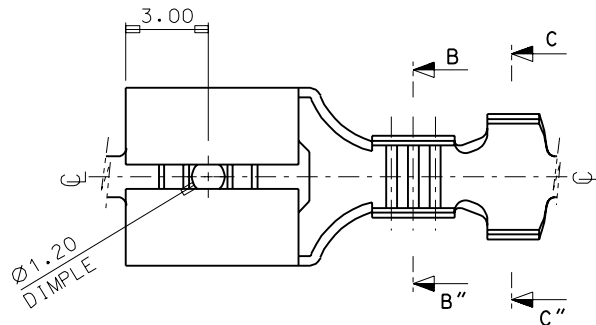
Please visit the [Contact Us](#) section for any non-product compliance questions.

Search Parts in this Series

[35720Series](#)

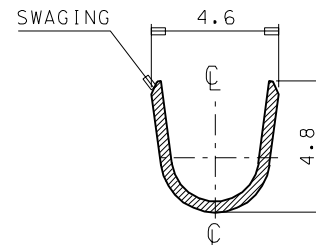
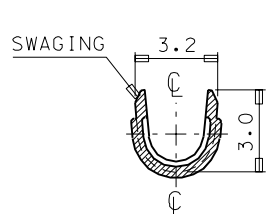
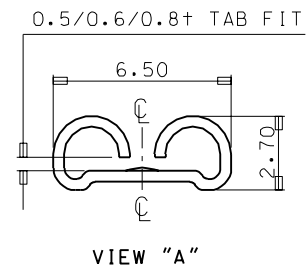
Use With

5.21mm (.205") Tab



- NOTES
- MATERIAL: BRASS , 0.40mm THICKNESS
 - FINISH: 35720-1200/1300/1600: UNPLATED
35720-1210/1310/1610: POST-TIN PLATED
35720-1240/1340/1640: POST-TIN LEAD PLATED
 - MATING TAB THICKNESS :
 - RECOMMENDED LENGTH OF WIRE STRIP IS 4.1-4.6 mm

ENG.NO.	MATING TAB
35720-12*0	0.5 ±
35720-13*0	0.6 ±
35720-16*0	0.8 ±



ASS'Y PART		QTY/REEL OR PACK	SURFACE AREA	MATERIAL	SEE NOTES	WIRE RANGE	GENERAL TOLERANCES	MOLEX MOLEX-KOREA CO.,LTD.
DESCRIPTION	ENG.NO.	7,000 0'ty / reel	MM ²	DIMENSION CLASSIFICATION		AWG: #20-#16	DIM. : ±0.30	
				<input checked="" type="checkbox"/> : CRITICAL <input checked="" type="checkbox"/> : MAJOR <input type="checkbox"/> : MINOR () : REFERENCE		MM ² :	ANGLE : ±0.20	REVISE ONLY ON CAD SYSTEM
C	REVISED			DRAWN BY	CHK'D BY	INSULATION RANGE	TITLE: .205 SLIP-ON RECEPTACLE	
B	REVISED	93-025	95-12-6	W. Y. YANG	B. K. CHOI	Ø 3.1 MAX	ENG.NO. SD 35720-1**0	REV C
A	CAD REDRAWING	93-011	93-5-24	APP'D BY	SCALE			
LTR	REVISION RECORD	ECN	DR/CHK	DATE	DIE FEED 17.0	APPL FEED 17.0	WBDW	IBDW

DWG. NO.
SD-35720-120

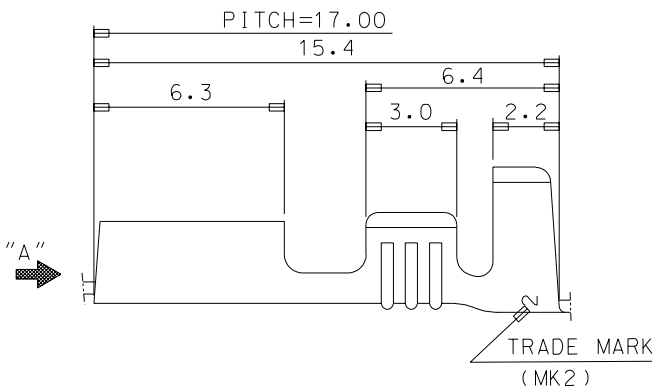
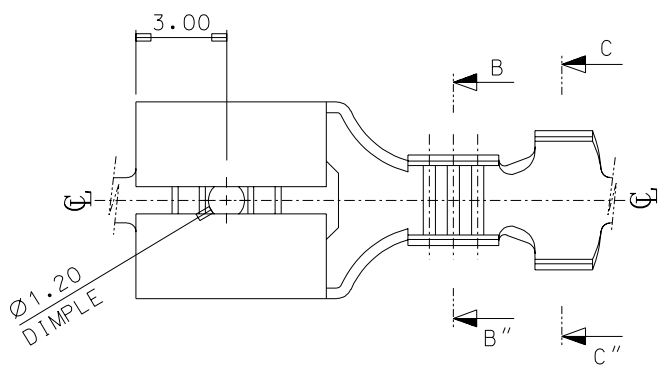
SIMILAR ITEM

PROJECT NO.

C

B

DO NOT SCALE DRAWING
DIMENSION IN METRIC



NOTES

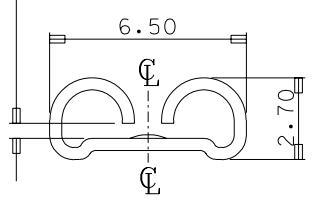
1. MATERIAL: BRASS , 0.40mm THICKNESS
2. FINISH: 35720-1200/1300/1600: UNPLATED
35720-1210/1310/1610: POST-TIN PLATED
35720-1240/1340/1640: POST-TIN LEAD PLATED

3. MATING TAB THICKNESS :

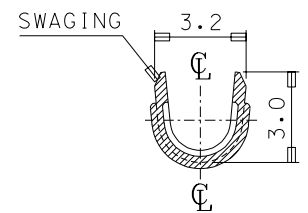
ENG.NO.	MATING TAB
35720-12*0	0.5 +
35720-13*0	0.6 +
35720-16*0	0.8 +

4. RECOMMENDED LENGTH OF WIRE STRIP IS 4.1-4.6 mm

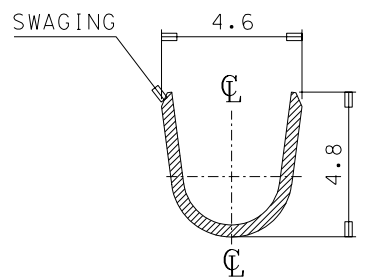
0.5/0.6/0.8+ TAB FIT



VIEW "A"



SECTION : B-B''



SECTION : C-C''

REVISED EC NO. KOR2002-0151 DRWN: C.B.CHIN 02/06/14 CHK: W.Y.YANG APPR: C.W.LEE	DESCRIPTION	QUALITY SYMBOLS	GENERAL TOLERANCES: (UNLESS SPECIFIED)		SCALE 6 : 1	DESIGN UNITS <input checked="" type="checkbox"/> mm <input type="checkbox"/> INCH	THIRD ANGLE PROJECTION	DIMENSIONS: <input type="checkbox"/> mm <input type="checkbox"/> INCH <input checked="" type="checkbox"/> mm ONLY	SHT	REV	
		MAJOR = 0	mm	INCH	DRAWN BY & DATE W.Y.YANG 93/05/24	TITLE: .205 SLIP-ON RECEPTACLE					
C1	REV	CRITICAL = 0	4 PLACES	±0.	±.	CHECKED BY & DATE B.K.CHOI 93/05/24	MOLEX INCORPORATED				
			3 PLACES	±0.	±.	APPROVED BY & DATE C.W.LEE 93/05/24					
			2 PLACES	±0.30	±.	CAD FILENAME S7501200.DGN	MATERIAL NO. SEE NOTES	DRAWING NO. SD-35720-120	SHEET NO. 1 OF 1		
			1 PLACE	±0.20	±.	THIS DRAWING CONTAINS INFORMATION THAT IS PROPRIETARY TO MOLEX INCORPORATED AND SHOULD NOT BE USED WITHOUT WRITTEN PERMISSION.					
			ANGULAR: ± 1 °			SIZE B					