

**PLEASE CHECK WWW.MOLEX.COM FOR LATEST PART INFORMATION**

**Part Number:** [0357111200](#)  
**Status:** **Active**  
**Description:** 2.79mm (.110") Slip-On Receptacle Terminal without Dimple, Quick Disconnect, 0.50mm (.020") Tab Thickness, Wire Range 20-22 AWG (0.52-0.33mm<sup>2</sup>), Unplated

**Documents:**

[Drawing \(PDF\)](#) [RoHS Certificate of Compliance \(PDF\)](#)

**General**

Product Family	Quick Disconnects
Series	<a href="#">35711</a>
Crimp Quality Equipment	Yes
Product Name	Slip-On
Type	Quick Disconnect

**Physical**

Barrel Type	Open
Gender	Female
Glow-Wire Compliant	No
Insulation	None
Lock to Mating Part	None
Material - Metal	Brass
Material - Plating Mating	Tin
Material - Plating Termination	Tin
Orientation	Straight
Packaging Type	Reel
Plating min: Mating (µin)	40
Plating min: Mating (µm)	1
Plating min: Termination (µin)	40
Plating min: Termination (µm)	1
Polarized to Mating Part	No
Tab Thickness	0.51mm (.020")
Tab Width	2.79mm (.110")
Temperature Range - Operating	-40°C to +120°C
Termination Interface: Style	Crimp or Compression
Wire Insulation Diameter	1.50-2.00mm (.059-.079") max.
Wire Size AWG	20, 22
Wire Size mm <sup>2</sup>	0.33 - 0.52

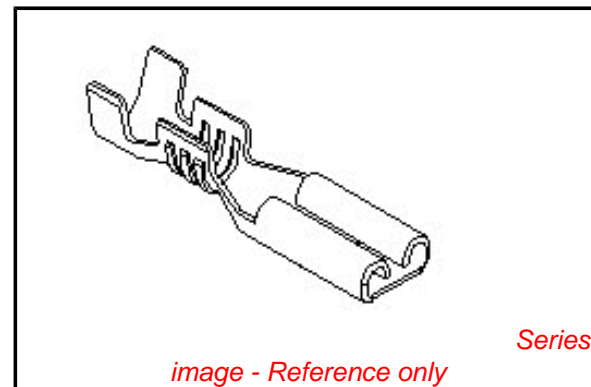
**Electrical**

Voltage - Maximum	Per Wire Specification
-------------------	------------------------

**Material Info**

**Reference - Drawing Numbers**

Sales Drawing	SD-35711-12*0
---------------	---------------



*image - Reference only*

**EU RoHS** **China RoHS**

**Compliance Status**

**Not Reviewed**

**REACH SVHC**

**Not Reviewed**

**Halogen-Free**

**Status**

**Not Reviewed**

**Need more information on product environmental compliance?**

Email [productcompliance@molex.com](mailto:productcompliance@molex.com)  
 For a multiple part number RoHS Certificate of Compliance, [click here](#)

Please visit the [Contact Us](#) section for any non-product compliance questions.

**Search Parts in this Series**

[35711Series](#)

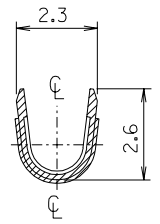
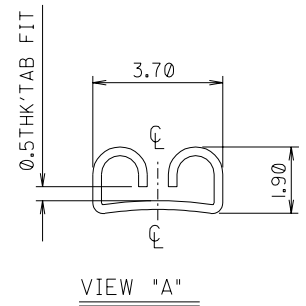
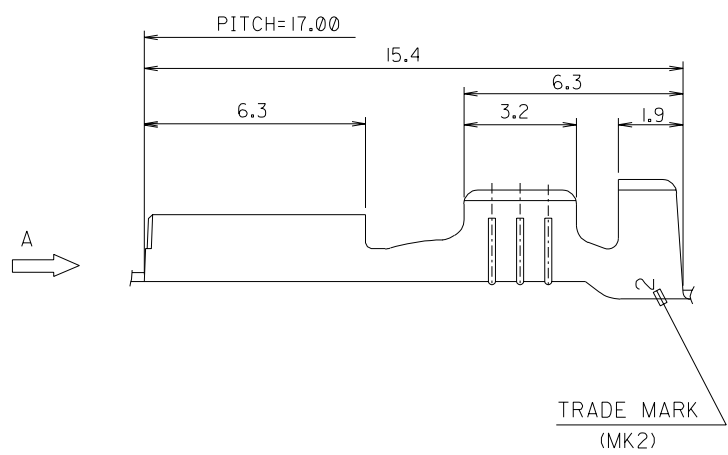
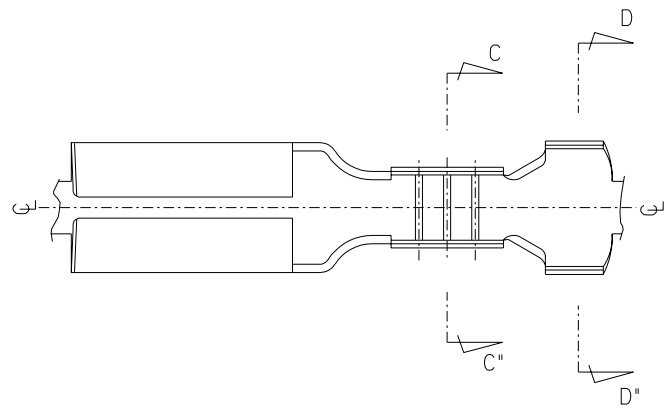
ENG. NO  
SD 35711-12\*0

EDP NO.

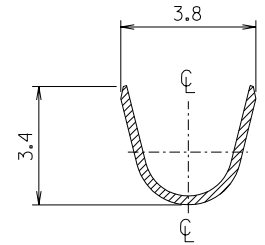
SIMILAR ITEM

PROJECT NO.

DO NOT SCALE DRAWING  
DIMENSION IN METRIC



SECTION:C-C



SECTION:D-D

- NOTES
1. MATERIAL: BRASS , 0.25THK'
  2. FINISH: 35711-1200:NONE  
35711-1210:POST-TIN PLATING
  3. RECOMMENDED LENGTH OF WIRE STRIP IS 4.3-4.8

ASS'Y PART		QTY/REEL OR PACK	SURFACE AREA	MATERIAL	SEE NOTES 1	WIRE RANGE	GENERAL TOLERANCES	molex MOLEX-KOREA CO.,LTD.				
DESCRIPTION	ENG.NO.	10,000 Q'TY /REEL	MM <sup>2</sup>	DIMENSION CLASSIFICATION		AWG: #22-#20	DIM. : ±0.30					
---	---	DIE NO. ---	LAYOUT NO. ---	<input checked="" type="checkbox"/> : CRITICAL <input checked="" type="checkbox"/> : MAJOR <input type="checkbox"/> : MINOR        ( ) : REFERENCE		MM <sup>2</sup> : 0.33-0.52	ANGLE : ±0.20	REVISE ONLY ON CAD SYSTEM				
A	CAD REDRAWING	93-011	93.4.15	DRN BY	CHK'D BY	INSULATION RANGE	TITLE:	1 OF 1				
LTR	REVISION RECORD	ECN	DR. CHK	DATE	DIE FEED	APPL FEED	WBDW	IBDW	APP'D BY	SCALE	ENG.NO.	REV
8	7	6	5	4	3	2	1	MK-9				