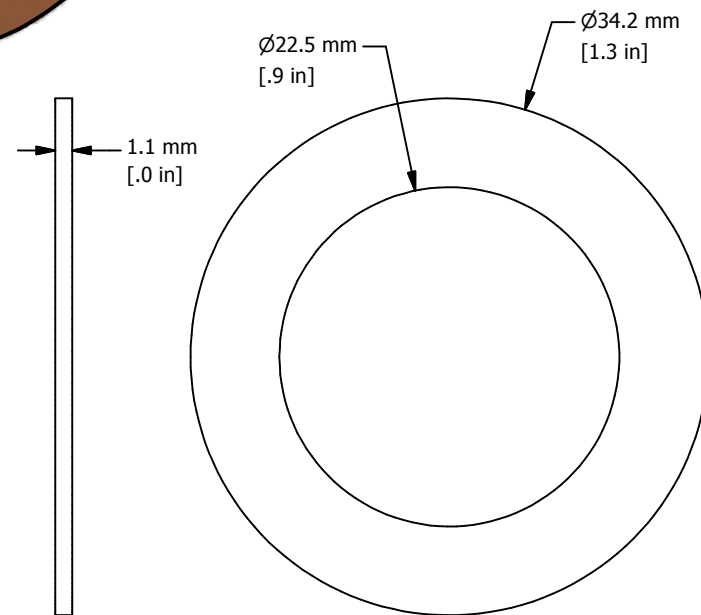
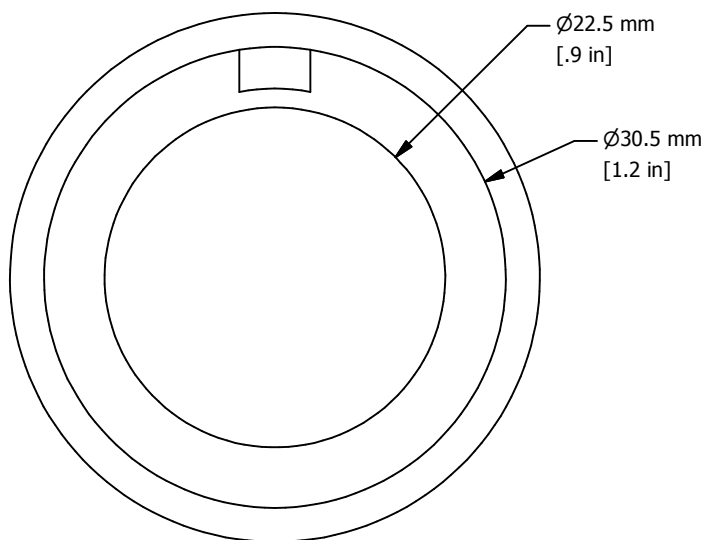
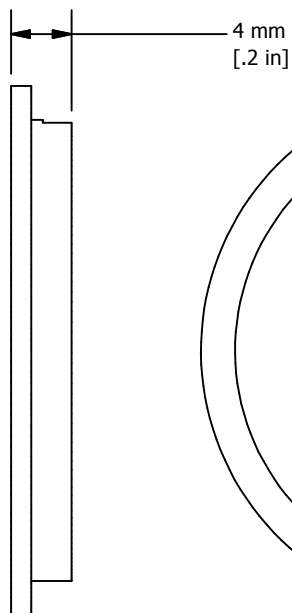
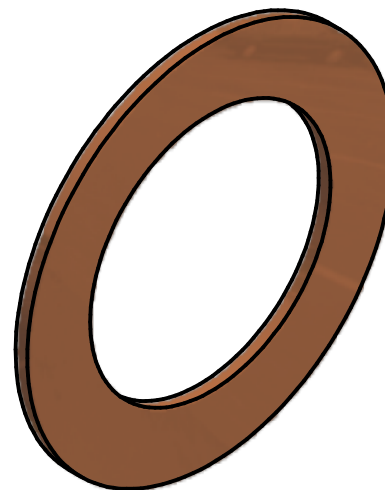
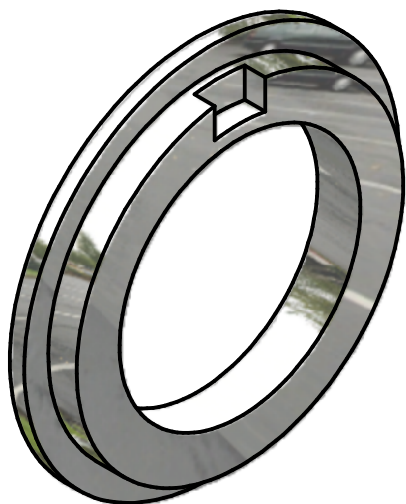


REVISION FOR DWG # 1PB-2ADP

REV	CH.NO.	DESCRIPTION	DATE	REVISED BY
-	-	ORIGINAL DESIGN	11/15/2007	PHILIPP E.



ADW (washer only)

UNLESS OTHERWISE SPECIFIED:
 • ALL DIMENSIONS ARE IN MILLIMETERS
 • THIRD ANGLE PROJECTION



This Drawing is the property of
Altrech Corp.

35 Royal Road
 Flemington, NJ 08822-6000
 (908) 806-9400
 Fax (908) 806-9490

M
E
T
R
I
C

TOLERANCE	=	±1 mm
XX.X	=	±0.5 mm
XX.XX	=	±0.2 mm
ALL	=	- mm

AND IS A CONFIDENTIAL DISCLOSURE
 WITHOUT CONSIDERATION OTHER THAN THE
 BORROWER'S AGREEMENT THAT IT
 SHALL NOT BE REPRODUCED,
 COPIED, LENT OR DISPOSED OF
 DIRECTLY OR INDIRECTLY NOR
 USED FOR ANY PURPOSE OTHER
 THAN THAT FOR WHICH IT IS
 SPECIFICALLY FURNISHED.

TITEL Adapter for installing a 22.5 mm device in a 30.5 cutout 2ADP

DRAWN BY: Philipp Ernstberger	11/15/2007	DRAWING NO.:	1PB-2ADP	REV.:	-
CHECKED BY: Laszlo Gyorgypal	11/15/2007	SCALE:	-	SHEET: 1	OF: 1
RELEASED BY: Laszlo Gyorgypal	11/15/2007				