

4

3

2

1

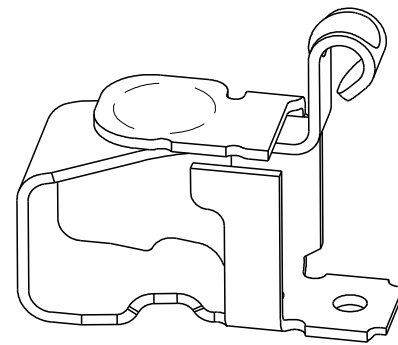
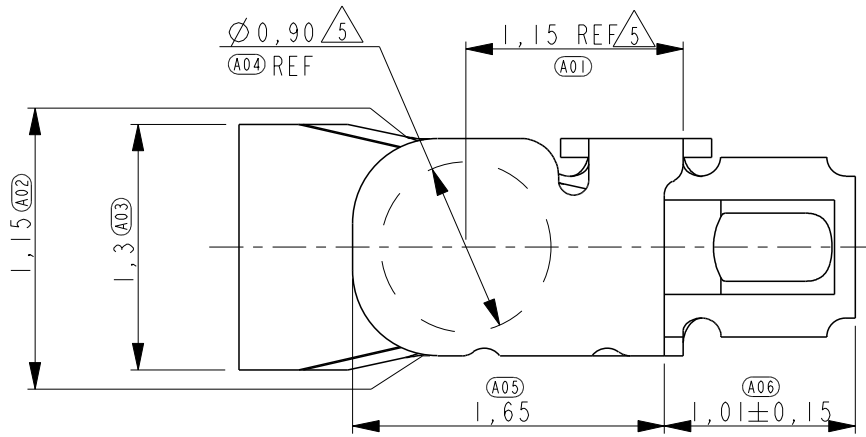
THIS DRAWING IS UNPUBLISHED.

RELEASED FOR PUBLICATION

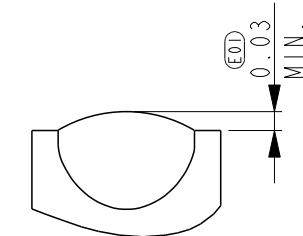
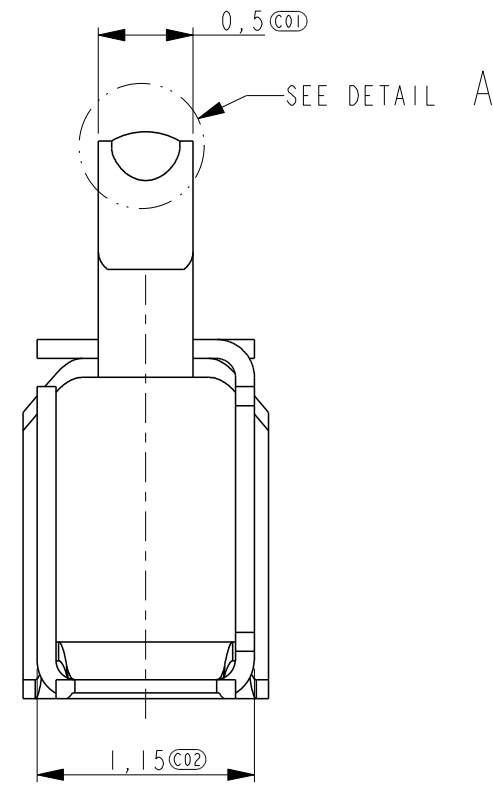
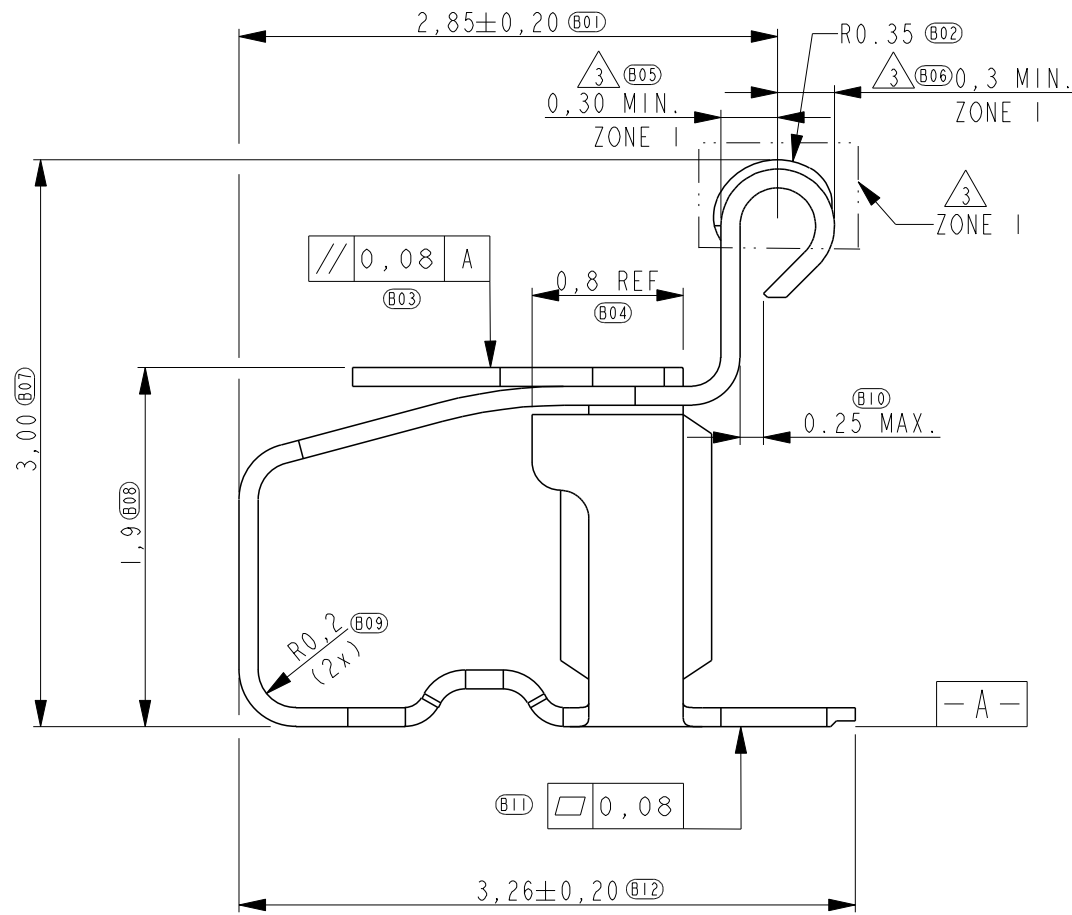
© COPYRIGHT - BY -

ALL RIGHTS RESERVED.

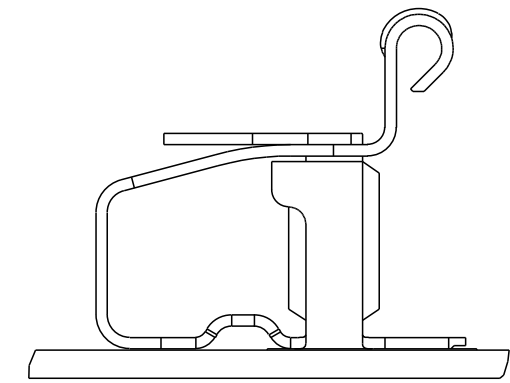
| LOC | DIST | REVISIONS | | | |
|-----|------|-------------|-------------|-----------|---------|
| P | LTR | DESCRIPTION | DATE | DWN | APVD |
| ES | 00 | A | NEW RELEASE | 18AUG2011 | T.Z S.Y |
| | | | | | |
| | | | | | |



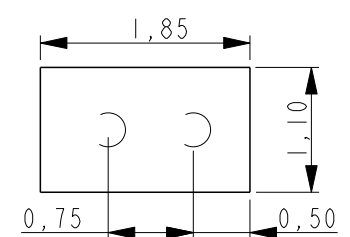
SCALE 15:1



DETAIL A SCALE 50:1

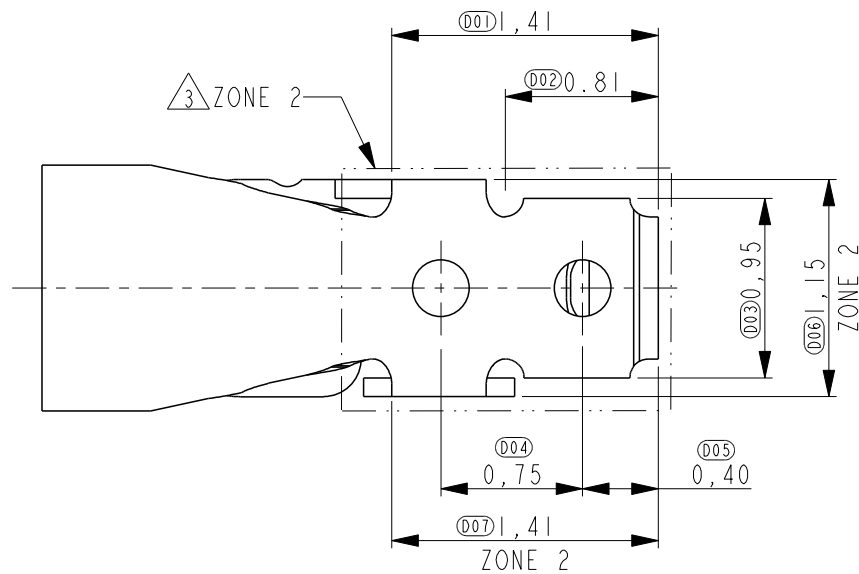


SCALE 15:1 REFERENCE VIEW FOR COMPONENT PLACEMENT



SCALE 15:1

RECOMMENDED PWB LAY-OUT (± 0.05)
 DASHED CIRCLES ARE THE LOCATION OF THE SPRING FINGER BOTTOM HOLES



- 1 PART NUMBER: 1551575-5 AS SHOWN.
- 2 MATERIAL: STAINLESS STEEL.
- 3 PLATING: 1,3um MIN. NICKEL UNDERLAYER ALL OVER
 ZONE 1: 0,30um MIN. GOLD
 ZONE 2: 0.05-0.2um GOLD FLASH
- 4 NORMAL FORCE: 0.6 \pm 0.2N AT NOMINAL HEIGHT 2.4MM
- 5 INDICATED SURFACE TO BE USED AS PICK AND PLACE SURFACE.

| | | | | | |
|--|--|--|--|---|--|
| THIS DRAWING IS A CONTROLLED DOCUMENT. | | DWN 22JUN2010 Tony Zhang | | TE Connectivity | |
| | | CHK 22JUN2010 Harada Yohei | | | |
| DIMENSIONS: mm | | TOLERANCES UNLESS OTHERWISE SPECIFIED: | | NAME SPRING FINGER H=3.0mm | |
| | | 0 PLC ± 0.2 1 PLC ± 0.1 2 PLC ± 0.1 3 PLC ± 0.05 4 PLC \pm ANGLES $\pm 5^\circ$ | | APVD 22JUN2010 Steven Yao | |
| MATERIAL 2 | | FINISH 3 | | PRODUCT SPEC 108-115008 | |
| | | | | APPLICATION SPEC - | |
| | | | | SIZE CAGE CODE DRAWING NO A3 00779 C=1551575 | |
| | | WEIGHT 0.0095 | | RESTRICTED TO - | |
| | | CUSTOMER DRAWING | | SCALE 25:1 SHEET 1 OF 2 REV A | |

4

3

2

1

THIS DRAWING IS UNPUBLISHED.

RELEASED FOR PUBLICATION

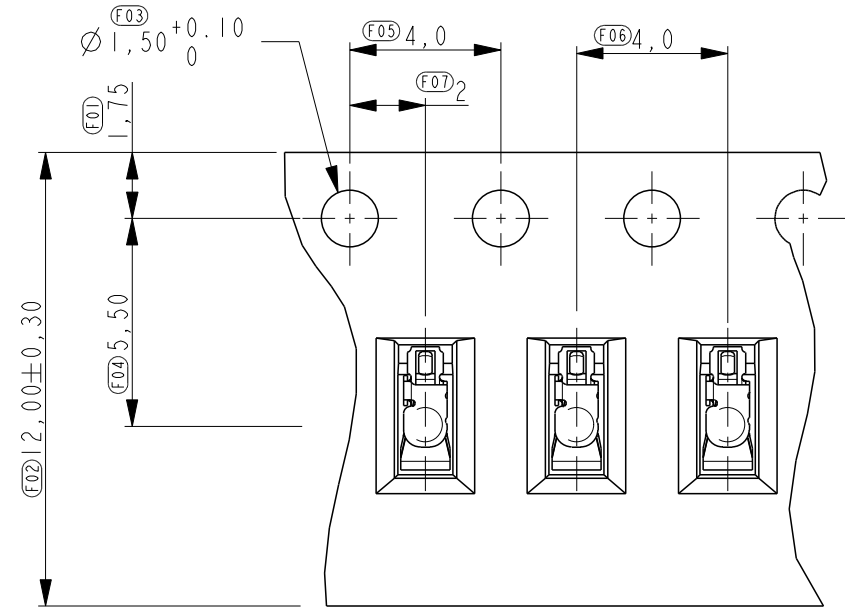
© COPYRIGHT - BY -

ALL RIGHTS RESERVED.

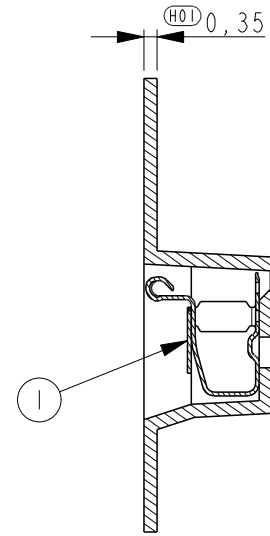
LOC ES DIST 00

REVISIONS

| P | LTR | DESCRIPTION | DATE | DWN | APVD |
|---|-----|-------------|------|-----|------|
| - | - | SEE SHEET 1 | - | - | - |
| | | | | | |
| | | | | | |

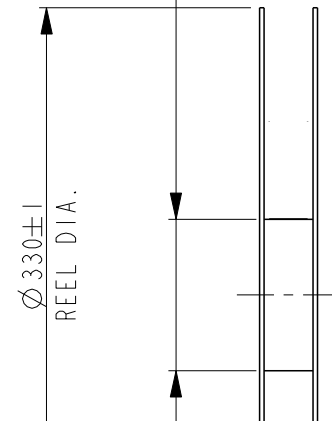


SCALE 5:1



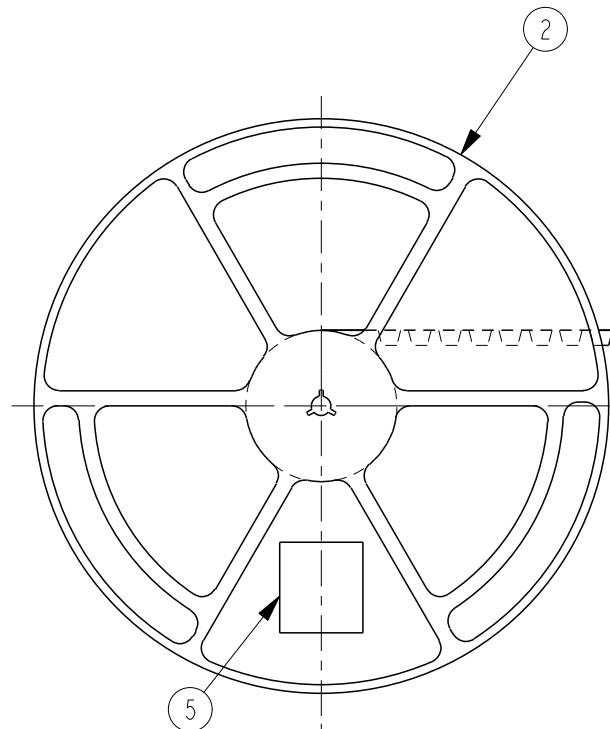
SECTION C-C

FRANGE CORE DIA
Ø 100 ± 1



+2
12.4 0

18.4 MAX
REEL WIDTH



1000mm REF
WEEDING THE COVER TAPE.

165°~180°
PEELING ANGLE
0.1~1.3N(300mm/min)
PEELING STRENGTH

| | | |
|------|---------------|------|
| I | LABEL | (5) |
| I | COVER TAPE | (4) |
| I | EMBOSS | (3) |
| I | PLASTIC REEL | (2) |
| 4000 | SPRING FINGER | (1) |
| QTY | DESCRIPTION | ITEM |

300 REF
WITHOUT CHARGE

WITH PRODUCT CHARGE
4000EA/IREEL

WITHOUT CHARGE
100~125HOLES

THIS DRAWING IS A CONTROLLED DOCUMENT.

DWN

CHK

APVD

PRODUCT SPEC

APPLICATION SPEC

WEIGHT

CUSTOMER DRAWING



TE Connectivity

NAME

SPRING FINGER
H=3.0mm

SIZE

CAGE CODE

DRAWING NO

RESTRICTED TO

A3

00779

©=1551575

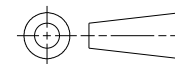
SCALE 25:1

SHEET 2 OF 2

REV A

DIMENSIONS:

mm



TOLERANCES UNLESS OTHERWISE SPECIFIED:

| | |
|--------|-------|
| 0 PLC | ±0.2 |
| 1 PLC | ±0.1 |
| 2 PLC | ±0.1 |
| 3 PLC | ±0.05 |
| 4 PLC | ± |
| ANGLES | ±5° |

MATERIAL

FINISH