

**PLEASE CHECK WWW.MOLEX.COM FOR LATEST PART INFORMATION**

**Part Number:** [0475968833](#)  
**Status:** **Active**  
**Description:** LGA 1156 Back-plate Assembly, Shoulder Screw and 2 Pan Screws for 1U Server, Lead-free, Halogen-free

**Documents:**

[Drawing \(PDF\)](#) [RoHS Certificate of Compliance \(PDF\)](#)  
[Product Specification PS-47596-001 \(PDF\)](#)

**General**

Product Family	Processor Sockets
Series	47596
Component Type	Back Plate Assembly
Product Name	LGA1156

**Physical**

Circuits (Loaded)	N/A
Durability (mating cycles max)	20
Material - Metal	Steel
Material - Plating Mating	Nickel
Packaging Type	Tray
Pitch - Mating Interface (in)	0.000 In
Pitch - Mating Interface (mm)	0.00 mm
Temperature Range - Operating	-25°C to +100°C
Termination Interface: Style	Screw or Lug

**Electrical**

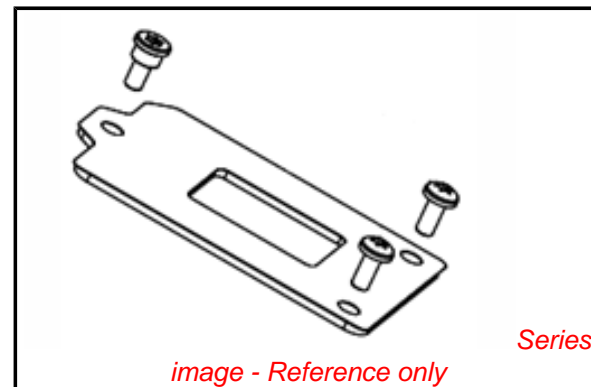
Current - Maximum per Contact	N/A
Voltage - Maximum	N/A

**Material Info**

**Reference - Drawing Numbers**

Packaging Specification	PK-47596-107
Product Specification	PS-47596-001
Sales Drawing	SD-47596-108

Intel and Nehalem and relevant names are either trademarks or registered trademarks of Intel Corporation



**EU RoHS**

**ELV and RoHS  
Compliant**  
**REACH SVHC**  
 Not Reviewed  
**Halogen-Free  
Status**

**China RoHS**



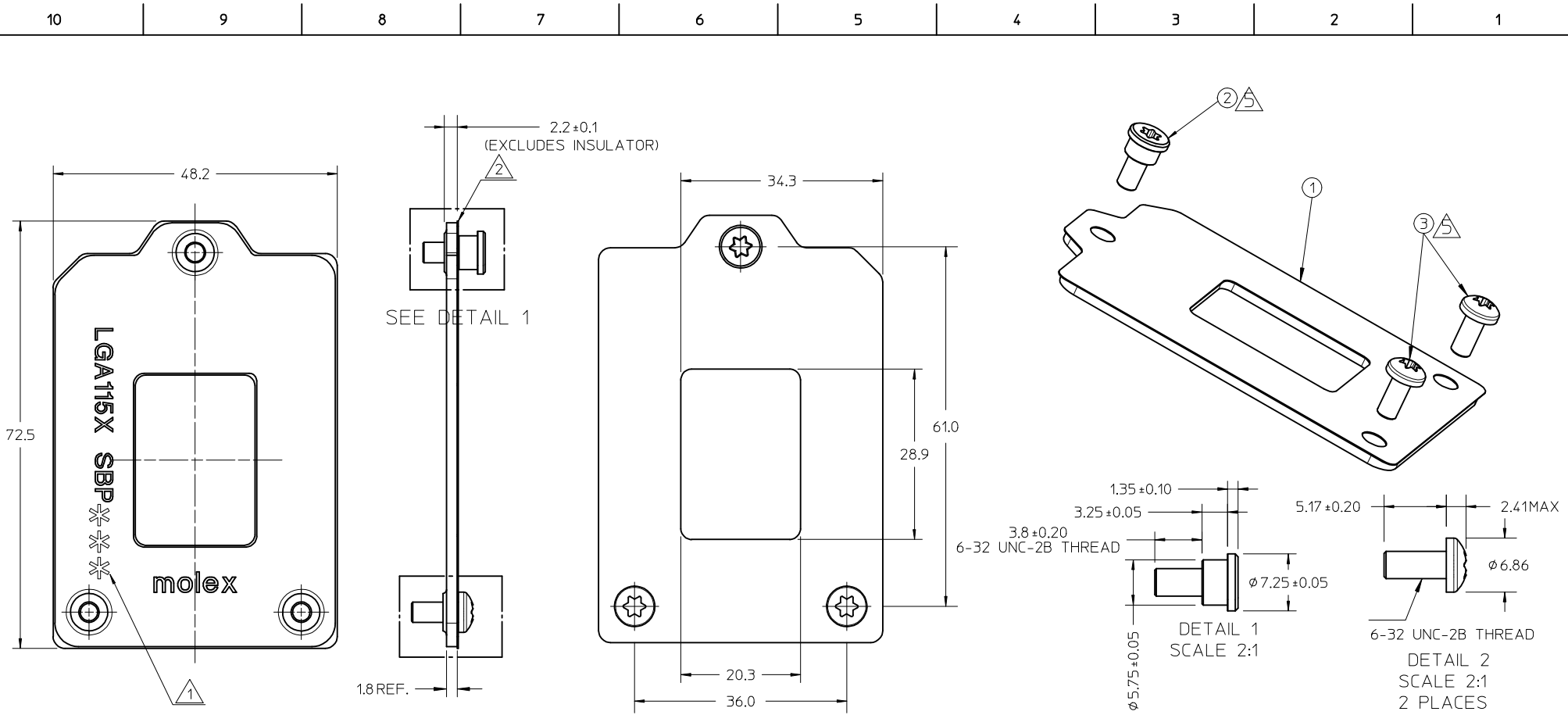
**Need more information on product  
environmental compliance?**

Email [productcompliance@molex.com](mailto:productcompliance@molex.com)  
 For a multiple part number RoHS Certificate of Compliance, [click here](#)

Please visit the [Contact Us](#) section for any non-product compliance questions.

**Search Parts in this Series**  
[47596Series](#)

**Mates With**  
 Intel\* Nehalem Processor



NOTES:

① DATE CODE

\*\*\* WORKING DAY  
 \*\*\* WORKING MONTH  
 \*\*\* WORKING YEAR

② INSULATOR OVERHANGS ALL EXTERNAL EDGES.  
 3. 6-32 UNC MIN. 2MM THREAD DEPTH  
 4. PART IS COMPLIANT TO RoHS DIRECTIVE 2002/95/EC AND ELV 2000/53/EC.  
 ⑤ SCREWS ARE PACKAGED INTO PLASTIC BAG AND SHIPPED WITH BACKPLATE.

PARTS LIST			
ITEM NO	QTY	DESCRIPTION	MATERIAL
	1	TOP ASSY W/SCREWS(47596-***33)	
①	1	SOCKET 115X BACK PLATE ASSY (47596-***23)	BACK PLATE(STEEL WITH NICKEL PLATING) INSULATOR(POLYPROPYLENE SHEET)
②	1	SHOULDER SCREW 6-32 (475976101)	LOW CARBON STEEL WITH NICKEL PLATING
③	2	PANHEAD SCREW 6-32(475976102)	LOW CARBON STEEL WITH NICKEL PLATING

ENTER DESCRIPTION	DESCRIPTION
EC NO: SH2010-0085	
DRWN: ZHANG11	
CHKD: CHYKD	
APPR: WFDENG	
REV	REV
A	

QUALITY SYMBOLS	GENERAL TOLERANCES (UNLESS SPECIFIED)
$F_{\Delta} = 0$	4 PLACES ± --- ± ---
$F_{\square} = 0$	3 PLACES ± --- ± ---
$F_{\circ} = 0$	2 PLACES ± 0.13 ± ---
	1 PLACE ± 0.25 ± ---
	ANGULAR ± 1/2°
	DRAFT WHERE APPLICABLE MUST REMAIN WITHIN DIMENSIONS

DIMENSION STYLE	SCALE	DESIGN UNITS	THIRD ANGLE PROJECTION
MM ONLY	1.5:1	METRIC	
DRAWN BY	DATE	TITLE	
CHECKED BY	DATE	SKT 115X BACK PLATE ASSY WITH SCREWS FOR 1U SERVER	
APPROVED BY	DATE	MOLEX MOLEX INCORPORATED	
MATERIAL NO.	DOCUMENT NO.	SHEET NO.	
SEE TABLE	SD-47596-108	1 OF 1	
SIZE	THIS DRAWING CONTAINS INFORMATION THAT IS PROPRIETARY TO MOLEX INCORPORATED AND SHOULD NOT BE USED WITHOUT WRITTEN PERMISSION		
A3			

47596-8833	WITH HALOGEN FREE
47596-9933	WITHOUT HALOGEN FREE
PART NO.	DESCRIPTION