

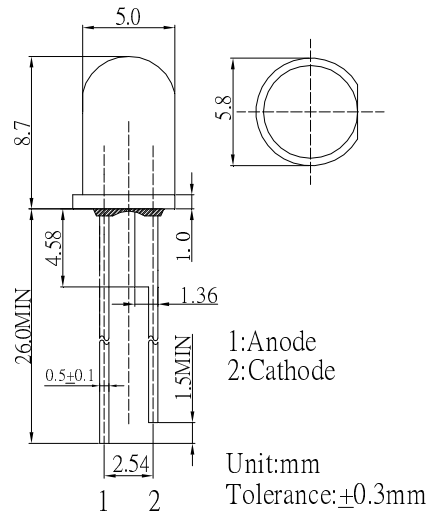
**■ Features**

- High Luminous LEDs
- 5mm Standard Directivity
- Superior Weather-resistance
- UV Resistant Epoxy
- Water Clear Type

**■ Applications**

- Traffic Signal
- Backlighting
- Signal and channel letter
- Other Lighting

**■ Outline Dimension**

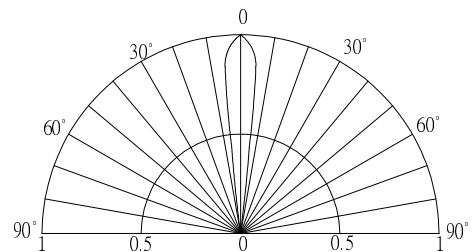


**■ Absolute Maximum Rating (Ta=25°C)**

Item	Symbol	Value	Unit
DC Forward Current	I <sub>F</sub>	50	mA
Pulse Forward Current*	I <sub>FP</sub>	120	mA
Reverse Voltage	V <sub>R</sub>	5	V
Power Dissipation	P <sub>D</sub>	130	mW
Operating Temperature	Topr	-30 ~ +85	°C
Storage Temperature	Tstg	-40 ~ +100	°C
Lead Soldering Temperature	Tsol	260°C/ 5sec	-

\*Pulse width Max.10ms Duty ratio max 1/10

**■ Directivity**



**■ Electrical -Optical Characteristics (Ta=25°C)**

Item	Symbol	Condition	Min.	Typ.	Max.	Unit
DC Forward Voltage	V <sub>F</sub>	I <sub>F</sub> =30mA	2.0	2.2	2.6	V
DC Reverse Current	I <sub>R</sub>	V <sub>R</sub> =5V	-	-	10	μA
Domi. Wavelength	λ <sub>D</sub>	I <sub>F</sub> =30mA	619	624	629	nm
Luminous Intensity	I <sub>v</sub>	I <sub>F</sub> =30mA	-	32000	-	mcd
50% Power Angle	2θ <sub>1/2</sub>	I <sub>F</sub> =30mA	-	15	-	deg

\*1 Tolerance of dominant wavelength is ±1nm

\*2 Tolerance of luminous intensity is ±15%

**■ Maximum Forward Current**

