

**PLEASE CHECK WWW.MOLEX.COM FOR LATEST PART INFORMATION**

**Part Number:** **0191930309**  
**Status:** **Active**  
**Description:** VersaKrimp™ Ring Tongue Terminal for 2 AWG Wire

**Documents:**  
[Drawing \(PDF\)](#) [RoHS Certificate of Compliance \(PDF\)](#)

**Agency Certification**

CSA LR18689  
 UL E32244

**General**

Product Family Ring and Spade Terminals  
 Series [19193](#)  
 Comments Type I Noninsulated; Class 2  
 Crimp Quality Equipment Yes  
 Mil-Spec AS20659-147, MS20659-147  
 Product Name VersaKrimp™  
 Type Ring

**Physical**

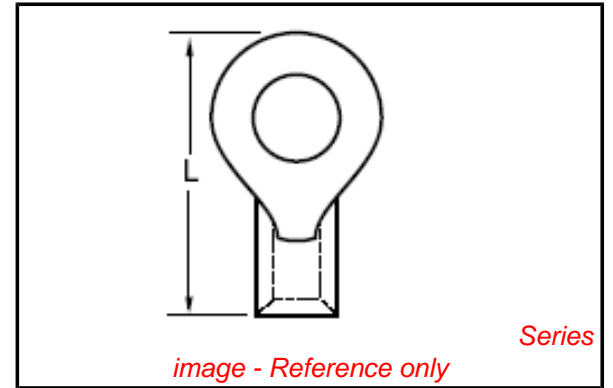
Barrel Type Closed - Brazed  
 Insulation None  
 Material - Plating Mating Tin  
 Packaging Type Bag  
 Plating min: Mating (µin) 100  
 Plating min: Mating (µm) 2.5  
 Plating min: Termination (µin) 100  
 Plating min: Termination (µm) 2.5  
 Stud Size 5/16" (M8)  
 Termination Interface: Style Crimp or Compression  
 Wire Size AWG 2

**Material Info**

Old Part Number G-375-56

**Reference - Drawing Numbers**

Sales Drawing SD-19193-028



**EU RoHS**

**ELV and RoHS  
 Compliant**

**REACH SVHC**

**Contains SVHC: No  
 Halogen-Free**

**Status**

**Halogen-Free**

**China RoHS**



**Need more information on product  
 environmental compliance?**

Email [productcompliance@molex.com](mailto:productcompliance@molex.com)  
 For a multiple part number RoHS Certificate of  
 Compliance, [click here](#)

Please visit the [Contact Us](#) section for any  
 non-product compliance questions.

**Search Parts in this Series**

[19193Series](#)

**Application Tooling | [FAQ](#)**

*Tooling specifications and manuals are  
 found by selecting the products below.  
 Crimp Height Specifications are then  
 contained in the Application Tooling  
 Specification document.*

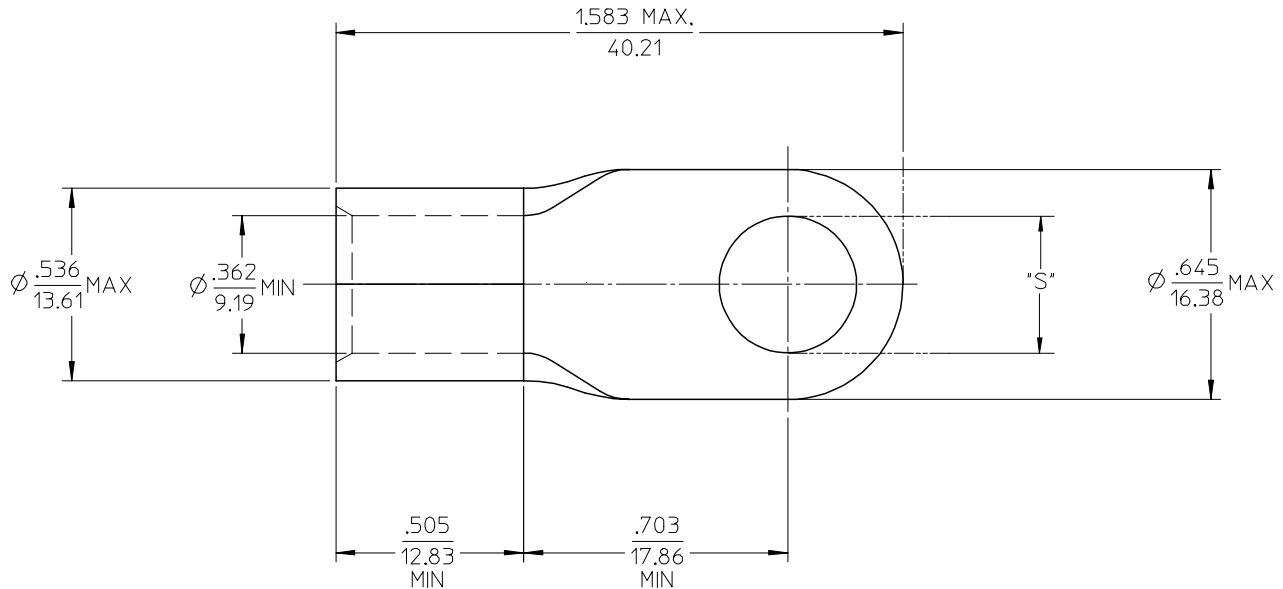
**Global**

Description	Product #
Putt Pump Dieless Head System	<a href="#">0192860065</a>
Manual tool for Crimping non-insulated 8AWG thru 4/0 Terminals	<a href="#">0192940008</a>
Manual Putt Pump Hydraulic System, Die set required	<a href="#">0192860117</a>
Die Set (large) for the HHLS Hydraulic Crimper	<a href="#">0192900010</a>
Hand Crimp Tool	<a href="#">0640013900</a>

This document was generated on 04/14/2010

**PLEASE CHECK [WWW.MOLEX.COM](http://WWW.MOLEX.COM) FOR LATEST PART INFORMATION**

MATERIAL NO. LOOSE PIECE	ENG. NO.	STUD SIZE	±.003 "S"	STOCK THICKNESS
191930303	G-375-10	10	.198	.075 (1.90)
191930305	G-375-14	1/4	.265	
191930309	G-375-56	5/16	.328	
191930307	G-375-38	3/8	.390	
191930311	G-375-76	7/16	.453	



SALES DRAWING

- NOTE(S):
1. MATERIAL: COPPER
  2. PLATING: ELECTROPLATE TIN
  3. ALL DIMENSIONS IN INCHES/(MM).
  4. WIRE SIZE: 2 AWG  
35 MM<sup>2</sup>

REVISED/UPDATE TO MK STDS EC NO: ETC2003-0315 DRWN:DMYRICK 2003/08/20 CHKD:HEB 2003/08/21 APPR:RDEROSS 2003/08/21	QUALITY SYMBOLS ▽ = 0 ▽ = 0	GENERAL TOLERANCES (UNLESS SPECIFIED)		SCALE 2:1	DESIGN UNITS INCH	THIRD ANGLE PROJECTION	REVISE ON CAD ONLY	
			mm	INCH	DIMENSION STYLE IN/MM		TITLE	
		4 PLACES	± ---	± ---	DRAWN BY DLM	DATE 03/07/11	RING TONGUE TERMINAL VERSAKRIMP 2 AWG	
		3 PLACES	± ---	± .005	CHECKED BY HEB	DATE 03/07/11	MOLEX INCORPORATED	
		2 PLACES	± 0.13	± .01	APPROVED BY RWD	DATE 03/07/11	MATERIAL NO. (SEE CHART)	
		1 PLACE	± 0.25	± ---	DOCUMENT NO. SD-19193-028		SHEET NO. 1 OF 1	
		ANGULAR ±1/2°		DRAFT WHERE APPLICABLE MUST REMAIN WITHIN DIMENSIONS		THIS DRAWING CONTAINS INFORMATION THAT IS PROPRIETARY TO MOLEX INCORPORATED AND SHOULD NOT BE USED WITHOUT WRITTEN PERMISSION		