

Advanced PMU for Amlogic AML8726-M3 Processor

FEATURES

- Three Step-Down DC/DC Converters
- Four Low-Dropout Linear Regulators
- Integrated *ActivePath™* Charger
- I²C™ Serial Interface
- Advanced Enable/Disable Sequencing Controller
- Minimal External Components
- Tiny 5x5mm TQFN55-40 Package
 - 0.75mm Package Height
 - Pb-Free and RoHS Compliant

Amlogic AML8726-M3 processor. It is ideal for a wide range of high performance portable handheld applications such as tablet or pad devices. This device integrates the *ActivePath™* complete battery charging and management system with seven power supply channels.

This device features three step-down DC/DC converters and four low-noise, low-dropout linear regulators, along with a complete battery charging solution featuring the advanced *ActivePath™* system-power selection function.

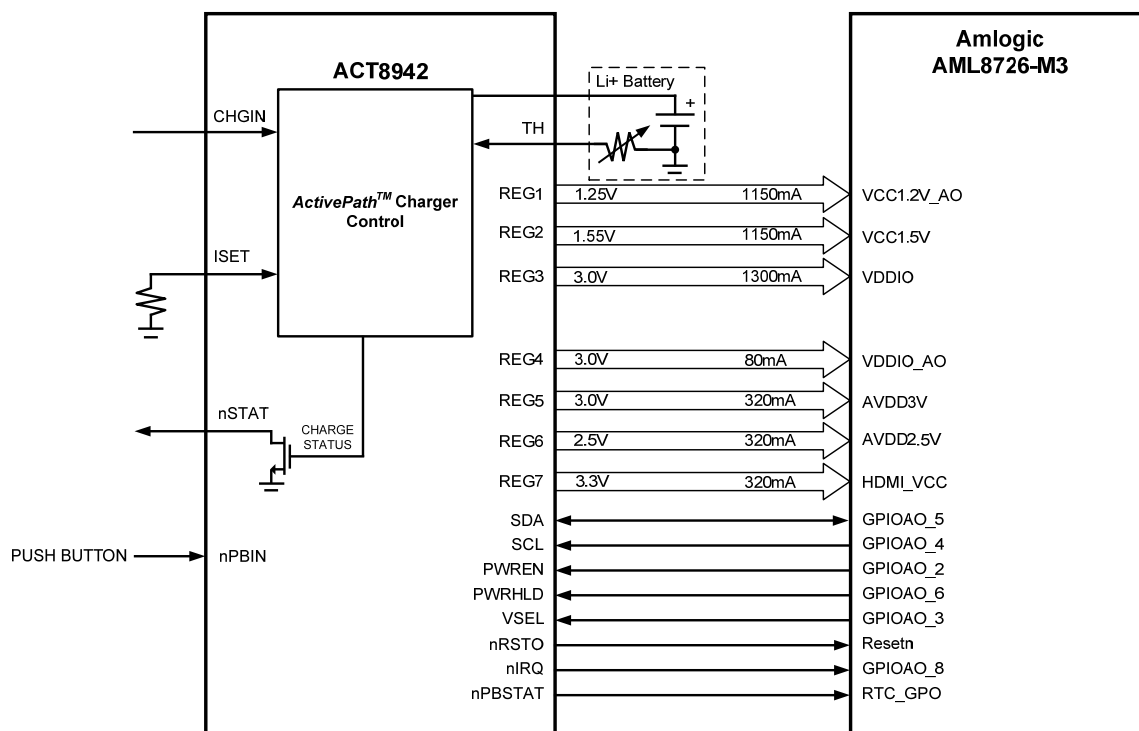
The three DC/DC converters utilize a high-efficiency, fixed-frequency (2MHz), current-mode PWM control architecture that requires a minimum number of external components. Two DC/DCs are capable of supplying up to 1150mA of output current, while the third supports up to 1300mA. All four low-dropout linear regulators are high-performance, low-noise regulators that supply up to 80mA, 320mA, 320mA, 320mA, respectively.

GENERAL DESCRIPTION

The ACT8942 is a complete, cost effective, highly-efficient *ActivePMU™* power management solution, optimized for the unique power, voltage-sequencing, and control requirements of the

The ACT8942 is available in a compact, Pb-Free and RoHS-compliant TQFN55-40 package.

TYPICAL APPLICATION DIAGRAM



PRODUCT OPTIONS

Block	Function	Output Voltage	Capability
REG1	Step-Down DC/DC	0.6V to 3.9V	1150mA
REG2	Step-Down DC/DC	0.6V to 3.9V	1150mA
REG3	Step-Down DC/DC	0.6V to 3.9V	1300mA
REG4	LDO	0.6V to 3.9V	80mA
REG5	LDO	0.6V to 3.9V	320mA
REG6	LDO	0.6V to 3.9V	320mA
REG7	LDO	0.6V to 3.9V	320mA

FUNCTIONAL BLOCK DIAGRAM

