

6424 TD

DC axial compact fan



ebm-papst St. Georgen GmbH & Co. KG

Hermann-Papst-Straße 1

D-78112 St. Georgen

Phone +49 7724 81-0

Fax +49 7724 81-1309

info2@de.ebmpapst.com

www.ebmpapst.com

Nominal data

Type	6424 TD	
Nominal voltage	VDC	24
Nominal voltage range	VDC	16 .. 28
Speed	min ⁻¹	5100
Power input	W	50
Min. ambient temperature	°C	-20
Max. ambient temperature	°C	60
Air flow	m ³ /h	600
Sound power level	B	7.4
Sound pressure level	dB(A)	65

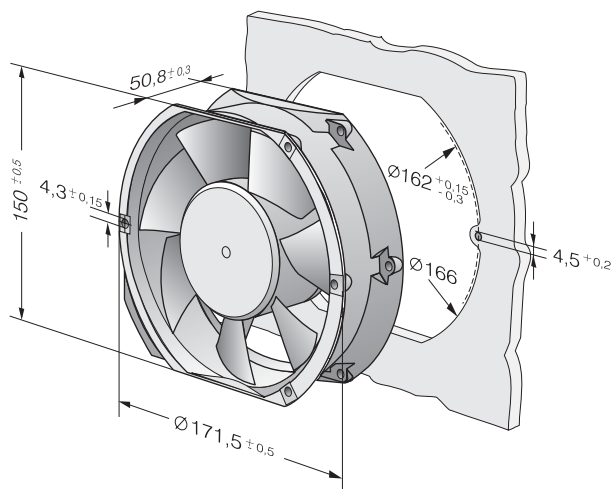
ml = max. load · me = max. efficiency · rfa = running at free air · cs = customer specs · cu = customer unit
Subject to alterations



Technical features

Dimensions	172 x 150 x 51 mm
General description	<p>Particular design features:</p> <p>Very smooth running 3-phase fan drive.</p> <p>Very rigid compression curve for high air flow at high counterpressure.</p> <p>Control inputs and alarm and speed signals available on request.</p> <p>Optionally available with reversible speed</p> <p>General features:</p> <p>Housing made of aluminium, impeller made of fibreglass-reinforced PA; housing with grounding lug for M4 x 8 screw (Torx). 48 V version incl. screws.</p> <p>Electronic commutation completely integrated.</p> <p>Connection via single strands AWG 22, TR 64, bared and tin-plated</p> <p>Air exhaust over bars. Direction of rotation counter-clockwise seen on rotor. Reversible direction of rotation.</p> <p>Mass: 760 g.</p>
Connection line	Single strands AWG 22, TR 64, bared and tin-plated.
Direction of rotation	Left, looking at rotor
Direction of air flow	Air exhaust over bars
Bearing	Ball bearings
Lifetime L10 at 40 °C	70000 h
Lifetime L10 at maximum temperature	45000 h
Mass	0.760 kg
Housing material	Aluminum. Housing with grounding lug for screws M4 x 8 (TORX).
Material of impeller	Fiberglass-reinforced PA plastic
Motor protection	Protected against reverse polarity and locking.
Approval	VDE, CSA, UL

Product drawing



Charts: Air flow

