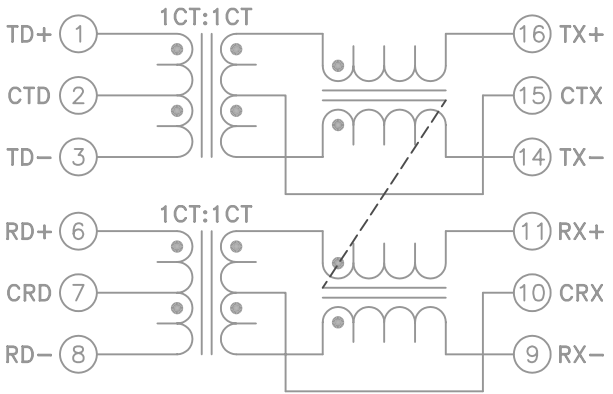
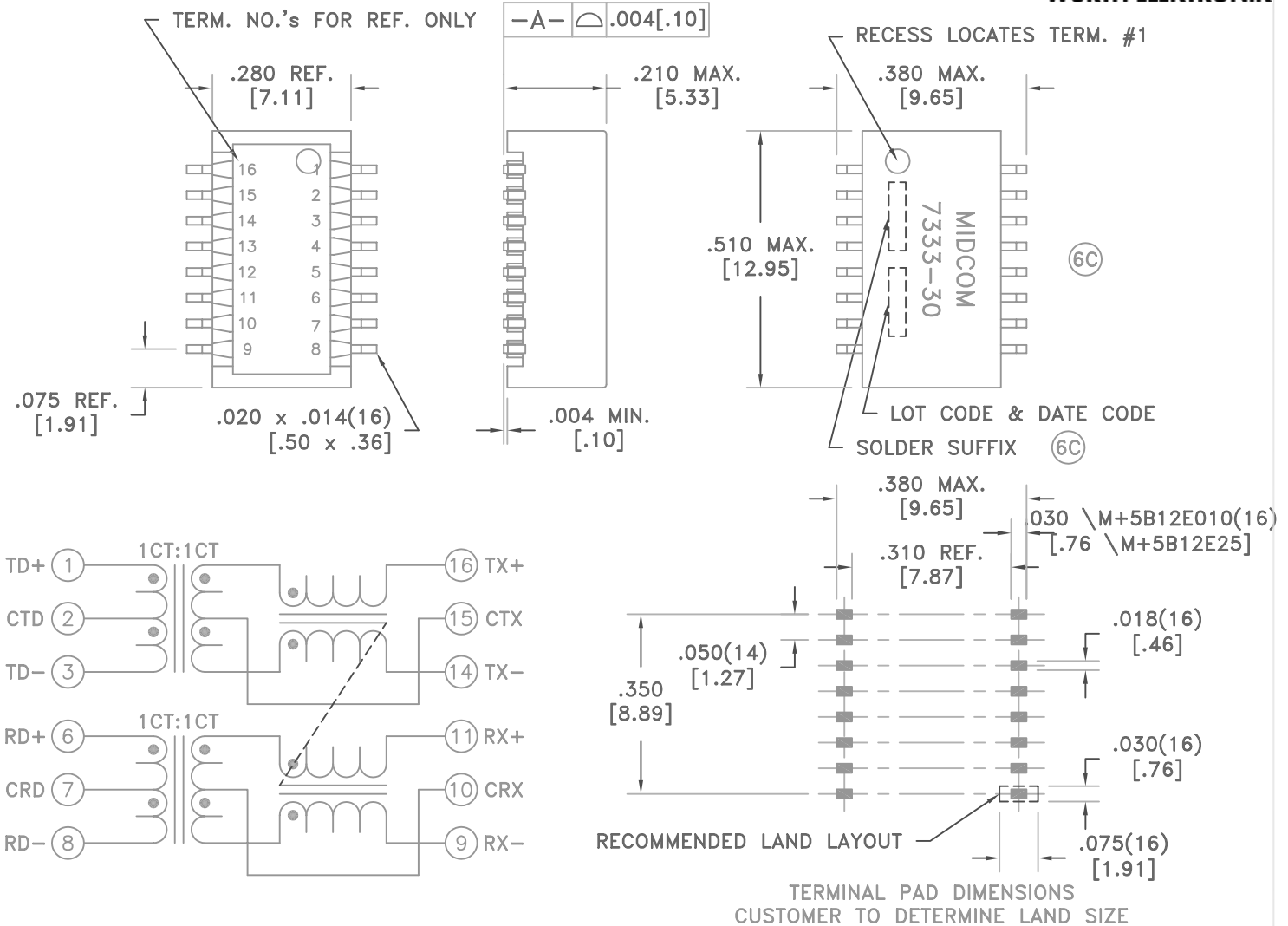


| | | | | |
|---------------|-------------------|------|---------------|----|
| SOLDER SUFFIX | CUSTOMER TERMINAL | RoHS | LEAD(Pb)-FREE | 6C |
| | Sn63%, Pb37% | No | No | |
| LF1 | Sn96%, Ag4% | Yes | Yes | |



ELECTRICAL SPECIFICATIONS @ 25°C unless otherwise noted:

| | | |
|------------------------------------|------------------------------------------------------------------------------------------|----------------------------|
| DIELECTRIC RATING: | 1500Vrms, 1 minute tested by applying 1800Vrms for 1 second between 1-16(tie 1+8, 9+16). | |
| INDUCTANCE: | 350uH min., 100kHz, 100mV, 8mADC, 16-14; 11-9, Lp. | |
| TURNS RATIO & POLARITY: | (1-3):(16-14) = 1:1, ±2%. (6-8):(11-9) = 1:1, ±2%. | |
| INSERTION LOSS: | 1.2dB max., 1MHz - 100MHz. | |
| RETURN LOSS: | -16dB min., 1MHz - 30MHz. | -13dB min., 50MHz. |
| | -14dB min., 40MHz. | -12dB min., 60MHz - 80MHz. |
| CROSSTALK: | -35dB min., 1MHz - 100MHz. | |
| DCMR: | -35dB min., 1MHz - 100MHz. | |

Designed to handle 350mA.

6D OPERATING TEMPERATURE RANGE: -40°C to +85°C.

COPLANARITY: All 16 terminals must lie on a plane within .004 [.10] of Surface A after lead tinning.

Midcom, Inc.
Watertown, SD USA
Toll Free: 800-643-2661
Fax: 605-886-4486

Unless otherwise specified:
Tolerances: Fractions: ±1/64
Angles: ±1° Decimals: ±.005 [.13]

DRAWING TITLE

TRANSFORMER
749 013 011

REVISIONS: SEE SHEET 1

Midcom

DRAWING NO.

000-7333-30R/-LF1

SCALE ---

6C

REV.

6F
6/06

SHEET 2 OF 7

DWG.# 000-7333-30R/-LF1

This drawing is dual dimensioned.
Dimensions in brackets are in millimeters.