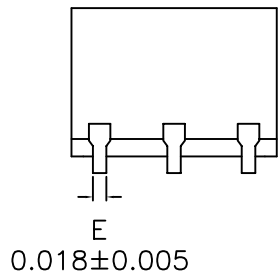
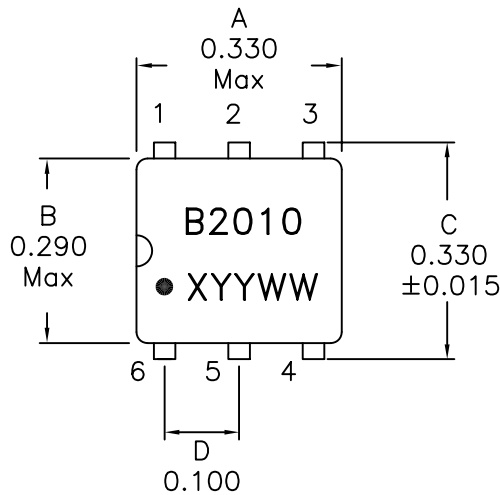
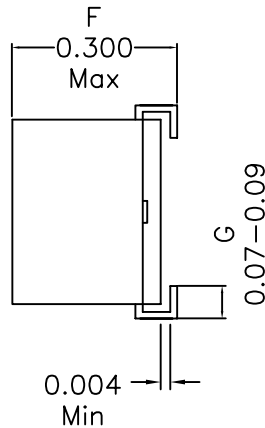


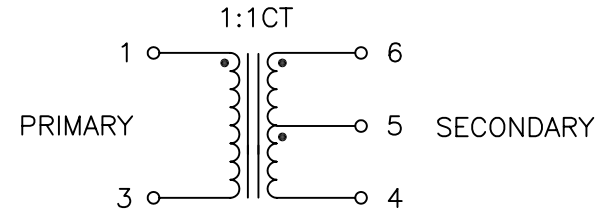
## 1. Mechanical Dimensions:



(SIDE VIEW)



## 2. Schematic:



## 3. Electrical Specifications: @25°C

ISOLATION: 300VAC (PRI TO SEC)

TURNS RATIO: (1-3):(6-4)=1:1CT

OCL: 780uH Min @100KHz 50mV

Q: 8 Min @10KHz 50mV

DCR: 0.320 Ohms Max

LL: Pins 6-4 0.5uH Max @100KHz 50mV, short Pri

CW/W: 25pF Max @100KHz 50mV, Pri/Sec

Freq. Bandwidth: 3.0dB Typ. 0.0035-125MHz

Insertion Loss: 0.2dB Max

Idc: 250mA

### Notes:

1. Solderability: Leads shall meet MIL-STD-202G, Method 208H for solderability.
2. Flammability: UL94V-0
3. ASTM oxygen index: > 28%
4. Insulation System: Class F 155°C. UL file E151556
5. Operating Temperature Range: All listed parameters are to be within tolerance from -40°C to +85°C
6. Storage Temperature Range: -55°C to +125°C
7. Aqueous wash compatible
8. SMD Lead Coplanarity: ±0.004\*(0.102mm)
9. Electrical and mechanical specifications 100% tested
10. RoHS Compliant Component

DOC. REV. B/1

<b>XFMRs Inc</b> www.XFMRs.com	Title: RF TRANSFORMER		
	UNLESS OTHERWISE SPECIFIED	P/N: XFWB2010	REV. B
TOLERANCES: .xxx ±0.010	DWN.	Mei Chen	Sep-06-11
Dimensions in Inch	CHK.	YK Liao	Sep-06-11
SHEET 1 OF 1	APP.	BW	Sep-06-11