



## GLASS PASSIVATED SINGLE-PHASE BRIDGE RECTIFIER

**W005G THRU W10G**

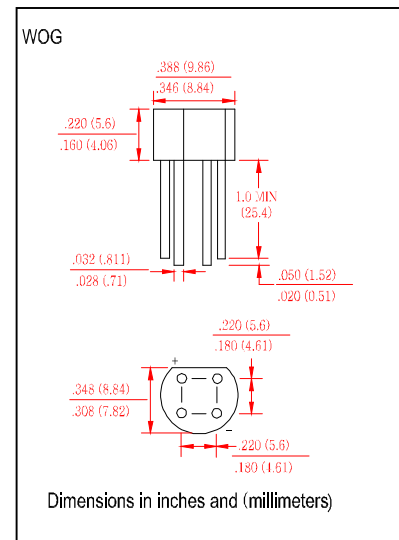
**VOLTAGE RANGE**      **50 to 1000 Volts**  
**CURRENT**              **1.5 Amperes**

### FEATURES

- Plastic package has underwriters laboratory
- Flammability classification 94V-0
- Glass passivated ship junction
- High case dielectric strength
- High surge current capability
- Ideal for printed circuit boards
- High temperature soldering guaranteed 260°C/10 seconds, 0.375" (9.5mm) lead length at 5 lbs (2.3kg) tension

### MECHANICAL DATA

- Case: Epoxy, Molded Plastic body over passivated Junction
- Terminal: Plated leads solderable per MIL-STD-750 method 2026
- Mounting position: Any
- Weight: 0.04 ounce, 1.1 gram



### MAXIMUM RATINGS AND ELECTRICAL CHARACTERISTICS

- Ratings at 25°C ambient temperature unless otherwise specified

	SYMBOLS	W005G	W01G	W02G	W04G	W06G	W08G	W10G	UNIT
Maximum Repetitive Peak Reverse Voltage	$V_{RRM}$	50	100	200	400	600	800	1000	Volts
Maximum RMS Voltage	$V_{RMS}$	35	70	140	280	420	560	700	Volts
Maximum DC Blocking Voltage	$V_{DC}$	50	100	200	400	600	800	1000	Volts
Maximum Average Forward Rectified Output Current at $T_A=25^\circ\text{C}$ (Note 1)	$I_{(AV)}$	1.0							Amps
Peak Forward Surge Current 8.3ms single half sine wave superimposed on rated load (JEDEC method)	$I_{FSM}$	40							Amps
Rating for Fusing ( $t < 8.3\text{ms}$ )	$I^2t$	10							$\text{A}^2\text{S}$
Maximum Instantaneous Forward Voltage Drop Per element at 1.0A DC	$V_F$	1.0							Volts
Maximum Average Reverse Current at rated DC Blocking Voltage	$T_A = 25^\circ\text{C}$	5.0							$\mu\text{A}$
	$T_A = 125^\circ\text{C}$	500.0							$\mu\text{A}$
Typical Junction Capacitance per leg at 4.0V, 1MHz	$C_J$	14							pF
Typical Thermal Resistance (NOTE 1)	$R_{\theta JL}$	14							$^\circ\text{C}/\text{W}$
	$R_{\theta JA}$	36							
Operating Temperature Range	$T_J$	(-55 to +150)							$^\circ\text{C}$
Storage Temperature Range	$T_{STG}$	(-55 to +150)							

#### Notes:

1. Thermal resistance from junction to lead at 0.375"(9.5mm) lead length P.C.B. mounting.



# GLASS PASSIVATED SINGLE-PHASE BRIDGE RECTIFIER

W005G THRU W10G

VOLTAGE RANGE 50 to 1000 Volts  
CURRENT 1.5 Amperes

## RATINGS AND CHARACTERISTICS CURVES W005G THRU W10G

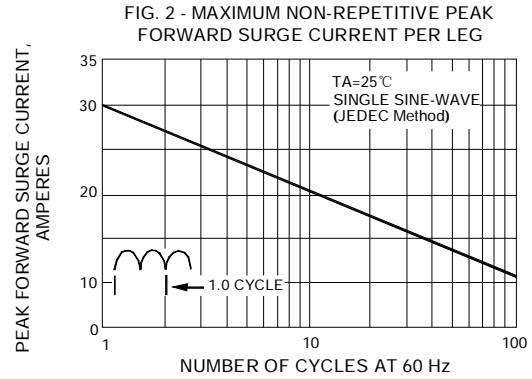
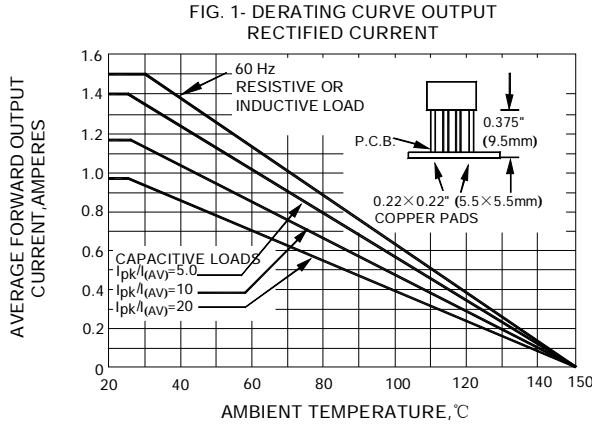


FIG. 3 - TYPICAL FORWARD CHARACTERISTICS PER LEG

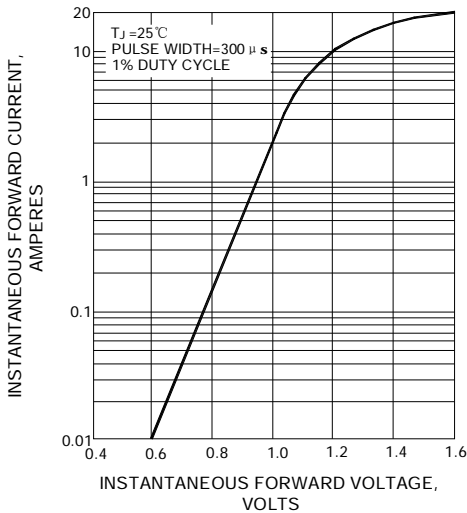


FIG. 4 - TYPICAL REVERSE CHARACTERISTICS PER LEG

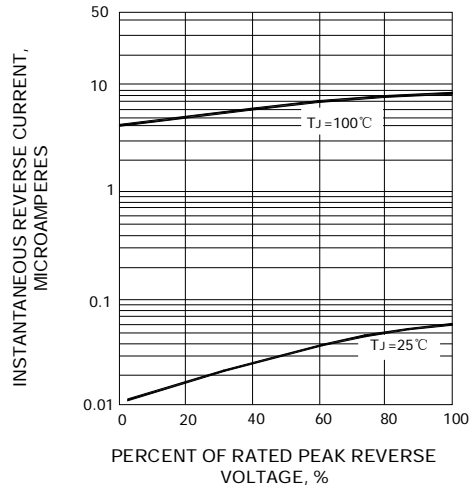


FIG. 5 - TYPICAL JUNCTION CAPACITANCE PER LEG

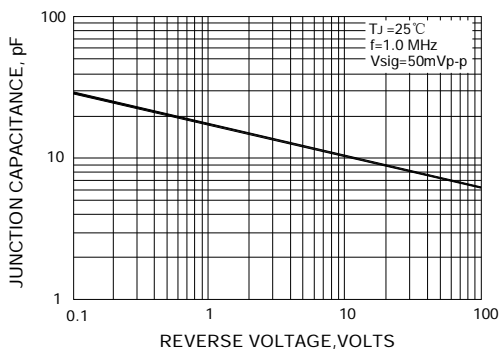


FIG. 6 - TYPICAL TRANSIENT THERMAL IMPEDANCE

