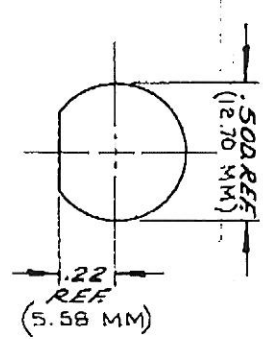
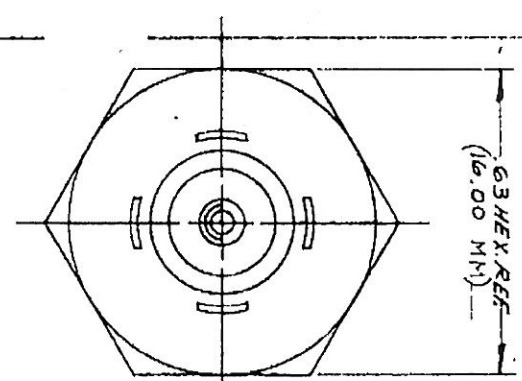
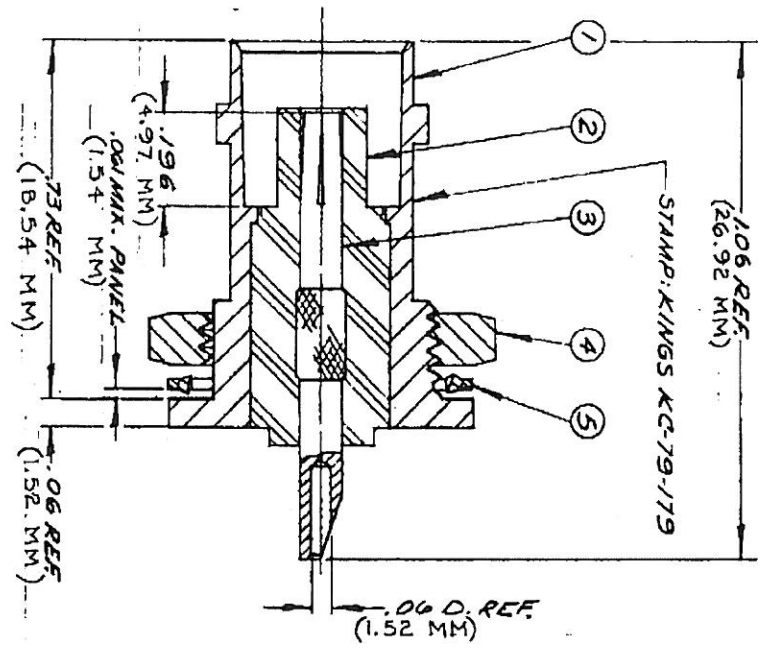


DASH NO. M CODE MADE FROM



UNLESS OTHERWISE SPECIFIED:

1. TOLERANCES FRACTIONS & 2 PLACE DECIMALS ± .010  
 3 PLACE DECIMALS ± .004  
 ANGLES ± 0°30'

2. REMOVE ALL BURRS, BREAK SHARP EDGES .005 MAX  
 NO FILLETS PERMITTED.

3. SURFACE ROUGHNESS 63 MICROINCHES RMS MAX.

4. ALL DIMENSIONS PRIOR TO PLATING.

5. ALL DIMENSIONS IN ACCORDANCE WITH KER 10004.

6. ALL PLATING IN ACCORDANCE WITH KER 10004.

7. 1. R. CONCENTRICITY OF ANY 2 DIAMETERS MAY NOT EXCEED HALF THE SUM OF THEIR TOLERANCES

(SMT 1 OF 2)

**S-D**

REVISIONS	
NO.	DESCRIPTION
2	CN/19855C M.A. 19 JAN 80 REDRAWN
3	CN 21964C GJG 18 MAY 81
4	CN 22827C MD 7 DEC 81

**KC-79-179**

SCALE 4:1
UNLESS OTHERWISE SPECIFIED
REV
<b>BNG BULKHEAD RECEPTACLE</b>
DRWING: <b>21964C</b> SMT 6 DEC 79
APPN: <b>5100</b> DATE 13 DEC 79
<b>KINGS</b> ELECTRONICS CO., INC. WILSON AND NEW YORK
<b>KC-79-179</b>
(SMT 1 OF 2)

**S-D**

ITEM	REQ'D	DESCRIPTION	PART NO.
1	1	BODY	
2	1	INSULATOR	
3	1	BNC CONTACT F	
4	1	HEX NUT	492A-9-M06
5	1	LOCKWASHER	492A-12-M06

KC-79-179  
(SHEET 2 OF 2)

ISSUE	CHANGES
2	CN 19855C M.A. 19 JAN 80 REDRAWN
3	CN 21964C GJG 18 MAY 81
4	CN 22827C MD 30 OCT 81

**S-D**

USED ON:

REF:

FINISH SPEC. KER 10004

**PARTS LIST**

DRAWN GCT DATE 6 DEC 79  
 APPR. GINO DATE 13 DEC 79

**SKINGS**  
 ELECTRONICS CO., INC.  
 TUCKAHOE, N.Y. 10984

KC-79-179 **S-D**  
 (SHEET 2 OF 2)