

MAFRIN0496



Single Junction Gull Wing Circulator
950 MHz—956 MHz

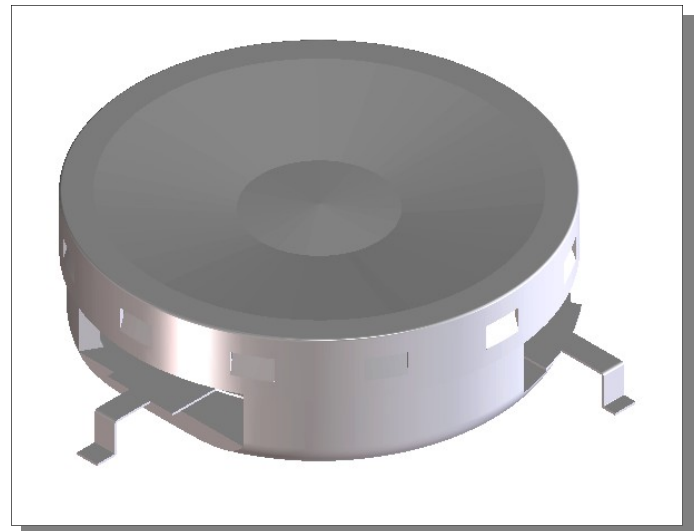
RoHS Compliant
Rev. V2

Features

- Designed for RFID market
- 22dB Isolation typical
- 0.25dB Insertion Loss
- Low cost package
- 260°C Reflow Compatible
- RoHS* Compliant Version of the MAFRIN0449

Description

This circulator is designed specifically for RFID applications and features high reliability performance at a low cost. It is in a low cost package ideally suited for high volume manufacturing. M/A Com is one of the largest suppliers of isolator and circulators in the world.



Electrical Specifications — $T = T_{op}^1$, $Z_0 = 50$ Ohms

Parameter	Test Conditions	Units	Min	Typ @25°C	Max
Frequency Range		MHz	860		872
Insertion Loss	860 MHz—872 MHz	dB		0.21	0.25
Isolation	860 MHz—872 MHz	dB	23.0	29.0	
Return Loss	860 MHz—872 MHz, all ports	dB	23.0	28.0	
Circulation				Clockwise	

1. See “Absolute Maximum Ratings” for T_{op} .

Absolute Maximum Ratings

Parameter	Absolute Maximum
Forward Power, CW	100 Watts
Reverse Power, CW	100 Watts
Peak Power	100 Watts
Operating Temperature	-10°C to +85°C
Storage Temperature	-40°C to +100°C

* Restrictions on Hazardous Substances, European Union Directive 2002/95/EC.

1

ADVANCED: Data Sheets contain information regarding a product M/A-COM Technology Solutions is considering for development. Performance is based on target specifications, simulated results, and/or prototype measurements. Commitment to develop is not guaranteed.

PRELIMINARY: Data Sheets contain information regarding a product M/A-COM Technology Solutions has under development. Performance is based on engineering tests. Specifications are typical. Mechanical outline has been fixed. Engineering samples and/or test data may be available. Commitment to produce in volume is not guaranteed.

• **North America** Tel: 800.366.2266 • **Europe** Tel: +353.21.244.6400
• **India** Tel: +91.80.43537383 • **China** Tel: +86.21.2407.1588
Visit www.macomtech.com for additional data sheets and product information.

M/A-COM Technology Solutions Inc. and its affiliates reserve the right to make changes to the product(s) or information contained herein without notice.

MAFRIN0496



Single Junction Gull Wing Circulator
950 MHz—956 MHz

RoHS Compliant
Rev. V2

Ordering Information

Part Number	Packaging
MAFRIN0495	Tray

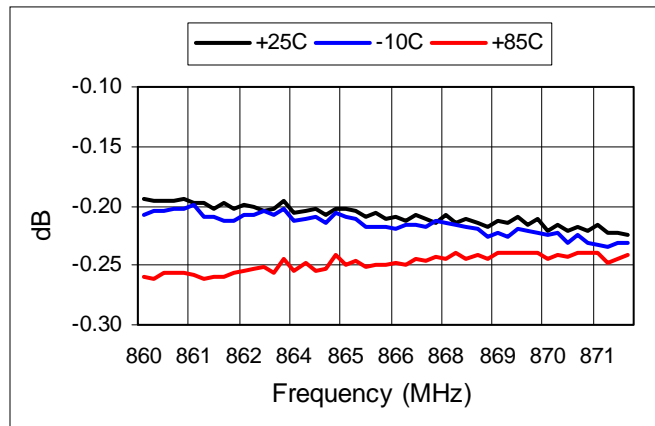
Environmental Specifications

Devices are designed to function after exposure to the shock, vibration, thermal shock and moisture conditions typically encountered in base station and other infrastructure environments.

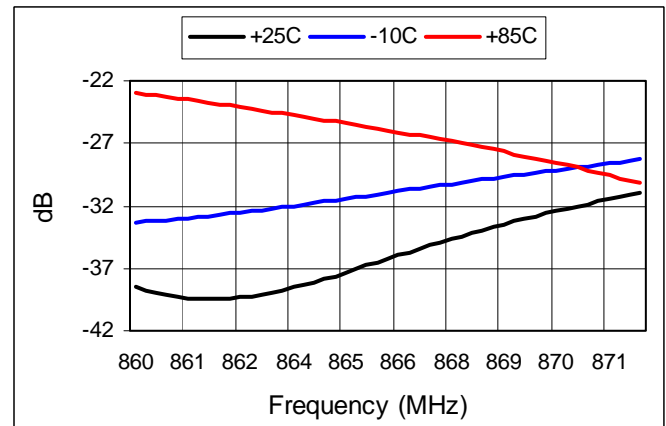
S-Parameters

S-parameters are available on the M/A Com web-site at: [S-Parameters](#)

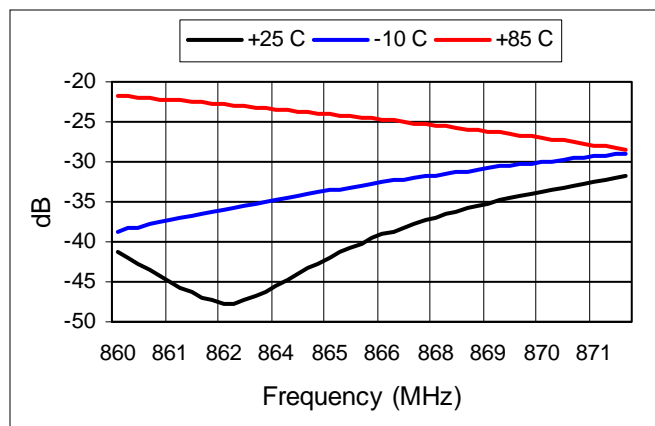
Insertion Loss (S21)



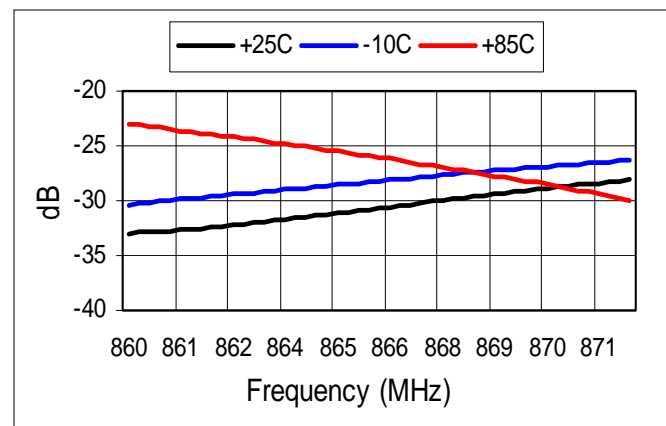
Isolation (S12)



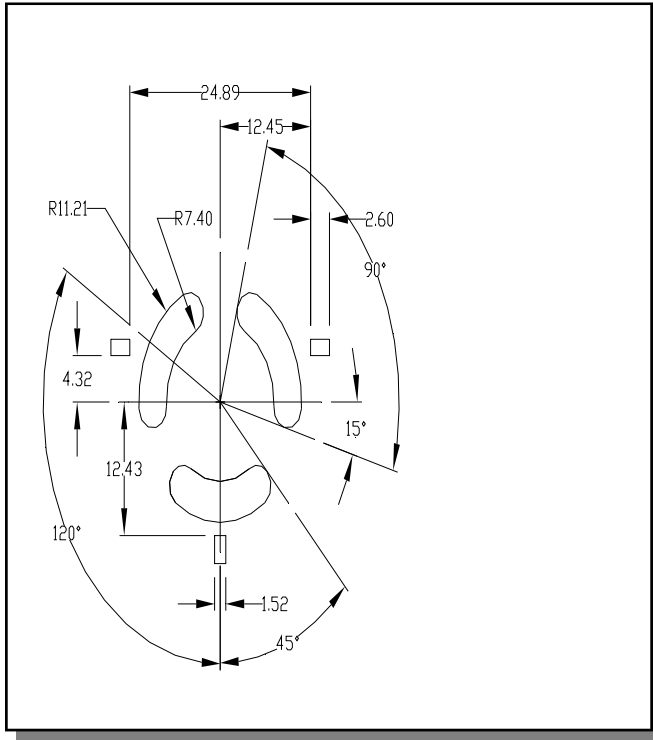
Return Loss (S11)



Return Loss (S22)

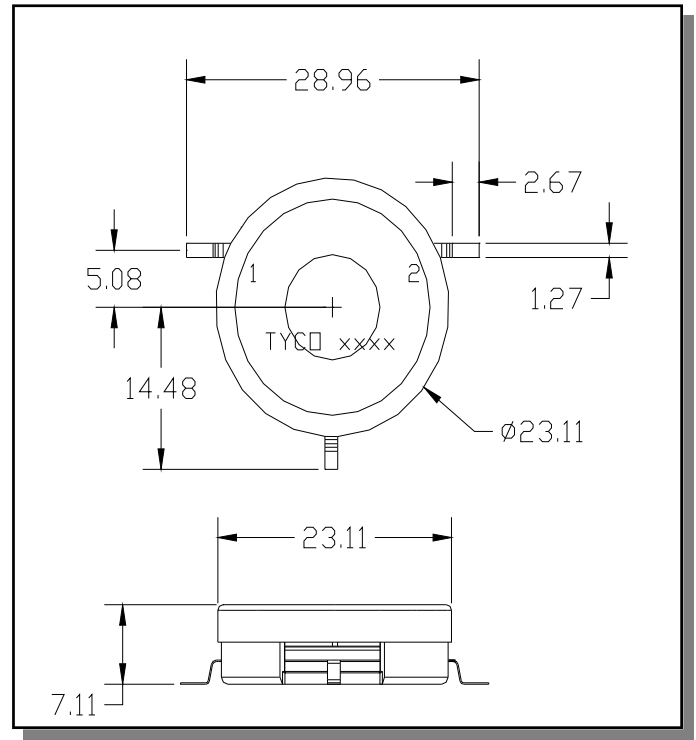


Recommended PCB Layout



1. Dimensions in mm.
2. Tolerances: ± 0.2 mm unless otherwise noted.
3. Use multiple plated thru holes in ground area under the housing.

Outline Drawing



1. Dimensions in mm.
2. Tolerances: ± 0.3 mm unless otherwise noted.
3. Housing: Cold Rolled Steel with Sn 100% plating.
4. Cover: CRS with Sn 100% plating.
5. Leads: Copper.