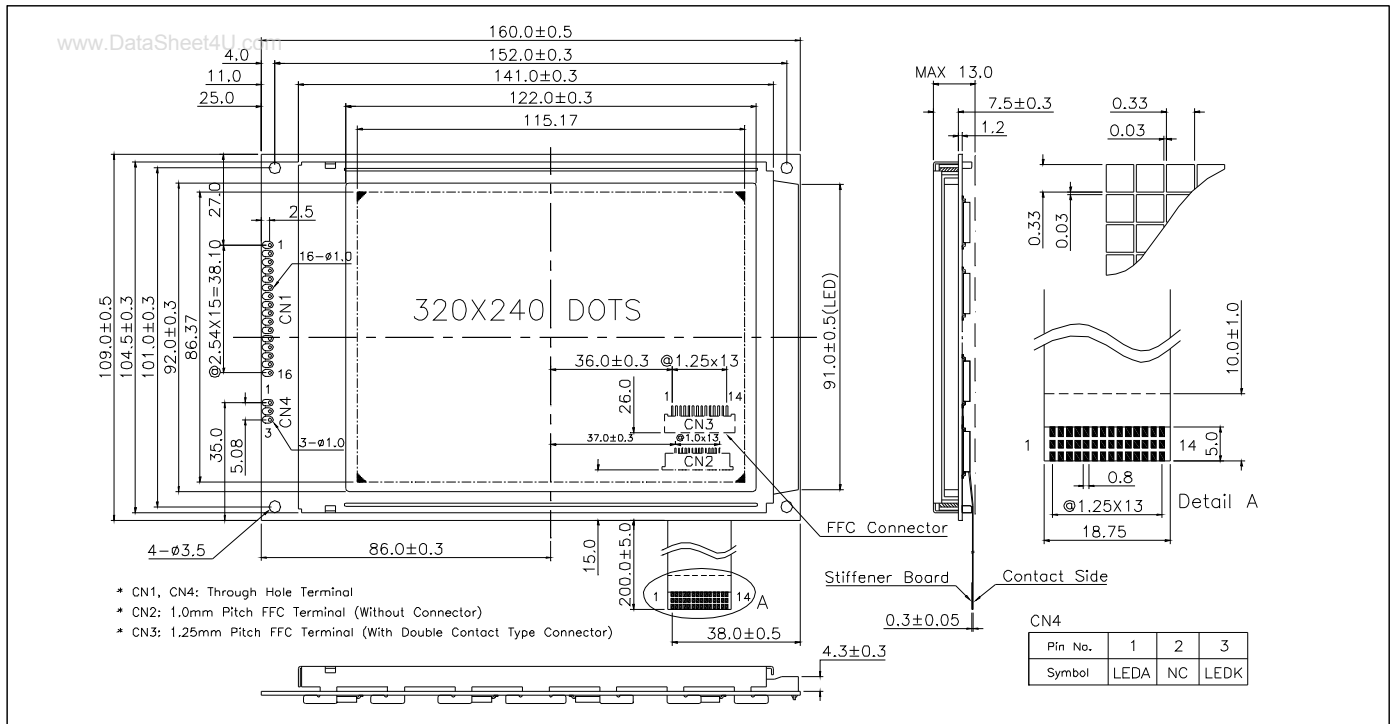


# LG3202402-DWN 5.7", 320 x 240 dots + white led backlight without dc-dc converter



## ABSOLUTE MAXIMUM RATINGS

Item	Symbol	Min.	Max.	Unit
Supply Voltage(Logic)	$V_{DD} - V_{SS}$	-0.3	7.0	V
Supply Voltage(LCD)	$V_{DD} - V_o$	-0.3	30.0	V
Input Voltage	$V_i$	-0.3	$V_{DD} + 0.3$	V
Operating Temp.	$T_{opr}$	-20	70	°C
Storage Temp.	$T_{stg}$	-30	80	°C

## MECHANICAL DATA

Item	Nominal Dimensions	Unit
Module Size ( W x H x T )	160.0 x 109.0 x 13.0	mm
Viewing Area ( W x H )	122.0 x 92.0	mm
Dot Pitch ( W x H )	0.36 x 0.36	mm
Dot Size ( W x H )	0.33 x 0.33	mm
Weight	Approx. 220	g

## ELECTRICAL CHARACTERISTICS ( $V_{DD}=5V \pm 0.25V$ )

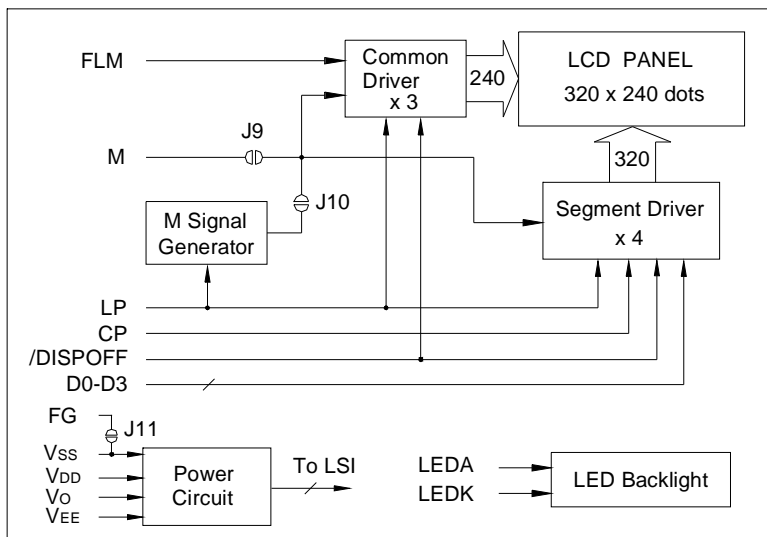
Item	Symbol	Test Condition	Min.	Typ.	Max.	Unit
Input High Voltage	$V_{IH}$	--	0.8 $V_{DD}$	--	$V_{DD}$	V
Input Low Voltage	$V_{IL}$	--	0	--	0.2 $V_{DD}$	V
Supply Current	$I_{DD}$	$V_{DD} = 5.0V$	--	6.0	10.0	mA
	$I_{EE}$	$V_{EE} = -22.0V$	--	4.0	8.0	mA
LCD Driving Voltage	$V_{DD} - V_o$	$T_a=25^\circ C$	--	22.6	--	V

## PIN CONNECTIONS (CN1/CN2/CN3)

Pin	Symbol	Level	Function
1	D0	H/L	Data bus line
2	D1	H/L	
3	D2	H/L	
4	D3	H/L	
5	/DISPOFF	H/L	H: display on L: display off
6	FLM	H	Scan start-up pulse
7	NC (M)	--	No connection (J10 close and J9 open) or external M signal (J9 close and J10 open)
8	LP	H>L	Display data latch pulse
9	CP	H>L	Display data shift pulse
10	$V_{DD}$	3.3~5V	Power supply for logic
11	$V_{SS}$	0V	GND
12	$V_{EE}$	-22V	Input voltage for LCD driving
13	$V_o$	--	Operating voltage for LCD
14	FGND	--	Frame ground
15	LEDA	+5V	Power supply for LED backlight
16	LEDK	0V	Power supply for LED backlight

Note: Only CN1 is with Pin15 and Pin16 terminals

## BLOCK DIAGRAM



## LED BACKLIGHT SPECIFICATIONS ( $T_a=25^\circ C$ )

Item	Symbol	Typ.	Max.	Unit
Forward Voltage	$V_f$	3.1	3.3	V
Forward Current	$I_f$	150	--	mA
LED Color		White		