

# 4-Mbit (128 K × 32) Pipelined Sync SRAM

## Features

- Registered inputs and outputs for pipelined operation
- 128 K × 32 common I/O architecture
- 3.3 V core power supply ( $V_{DD}$ )
- 2.5 V/3.3 V I/O power supply ( $V_{DDQ}$ )
- Fast clock-to-output times
  - 4.0 ns (for 133-MHz device)
- Provide high-performance 3-1-1-1 access rate
- User-selectable burst counter supporting Intel® Pentium® interleaved or linear burst sequences
- Separate processor and controller address strobes
- Synchronous self-timed writes
- Asynchronous output enable
- Available in Pb-free 100-pin TQFP package
- “ZZ” sleep mode option

## Functional Description

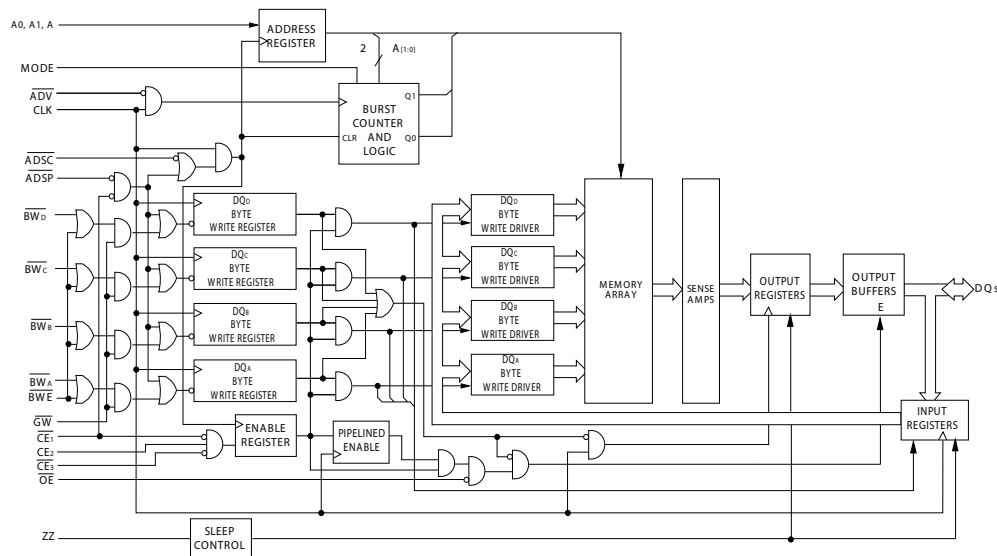
The CY7C1339G SRAM integrates 128 K × 32 SRAM cells with advanced synchronous peripheral circuitry and a two-bit counter for internal burst operation. All synchronous inputs are gated by registers controlled by a positive-edge-triggered clock input (CLK). The synchronous inputs include all addresses, all data inputs, address-pipelining chip enable ( $\overline{CE}_1$ ), depth-expansion chip enables ( $\overline{CE}_2$  and  $\overline{CE}_3$ ), burst control inputs (ADSC, ADSP, and ADV), write enables ( $BW_{[A:D]}$ , and BWE), and global write ( $\overline{GW}$ ). Asynchronous inputs include the output enable ( $\overline{OE}$ ) and the ZZ pin.

Addresses and chip enables are registered at rising edge of clock when either address strobe processor (ADSP) or address strobe controller (ADSC) are active. Subsequent burst addresses can be internally generated as controlled by the advance pin (ADV).

Address, data inputs, and write controls are registered on-chip to initiate a self-timed write cycle. This part supports byte write operations (see Pin Descriptions and Truth Table for further details). Write cycles can be one to four bytes wide as controlled by the byte write control inputs.  $\overline{GW}$  when active LOW causes all bytes to be written.

The CY7C1339G operates from a +3.3 V core power supply while all outputs may operate with either a +2.5 or +3.3 V supply. All inputs and outputs are JEDEC-standard JESD8-5-compatible.

## Logic Block Diagram



**Contents**

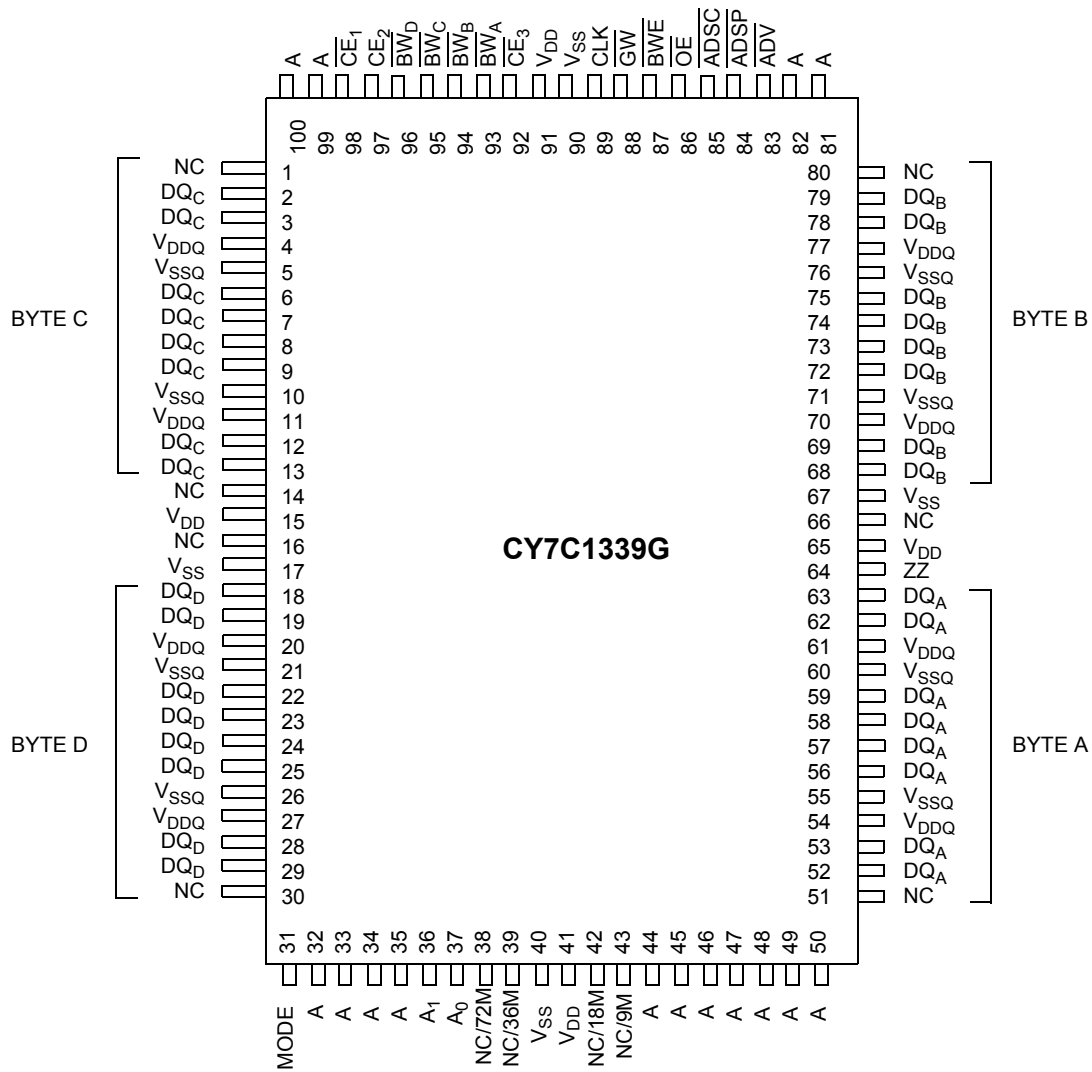
|   |          |  |           |
|---|----------|--|-----------|
| <b>Selection Guide</b> .....                    | <b>3</b> | <b>Capacitance</b> .....                             | <b>10</b> |
| <b>Pin Configurations</b> .....                 | <b>3</b> | <b>Thermal Resistance</b> .....                      | <b>10</b> |
| <b>Pin Definitions</b> .....                    | <b>4</b> | <b>AC Test Loads and Waveforms</b> .....             | <b>10</b> |
| <b>Functional Overview</b> .....                | <b>5</b> | <b>Switching Characteristics</b> .....               | <b>11</b> |
| Single Read Accesses .....                      | 5        | <b>Switching Waveforms</b> .....                     | <b>12</b> |
| Single Write Accesses Initiated by ADSP .....   | 5        | <b>Ordering Information</b> .....                    | <b>16</b> |
| Single Write Accesses Initiated by ADSC .....   | 5        | Ordering Code Definitions .....                      | 16        |
| Burst Sequences .....                           | 6        | <b>Package Diagrams</b> .....                        | <b>17</b> |
| Sleep Mode .....                                | 6        | <b>Acronyms</b> .....                                | <b>18</b> |
| Interleaved Burst Address Table .....           | 6        | <b>Document Conventions</b> .....                    | <b>18</b> |
| Linear Burst Address Table .....                | 6        | Units of Measure .....                               | 18        |
| ZZ Mode Electrical Characteristics .....        | 6        | <b>Document History Page</b> .....                   | <b>19</b> |
| <b>Truth Table</b> .....                        | <b>7</b> | <b>Sales, Solutions, and Legal Information</b> ..... | <b>21</b> |
| <b>Partial Truth Table for Read/Write</b> ..... | <b>8</b> | Worldwide Sales and Design Support .....             | 21        |
| <b>Maximum Ratings</b> .....                    | <b>9</b> | Products .....                                       | 21        |
| <b>Operating Range</b> .....                    | <b>9</b> | PSoC Solutions .....                                 | 21        |
| <b>Electrical Characteristics</b> .....         | <b>9</b> |  |           |

**Selection Guide**

| Description                  | 133 MHz | Unit |
|------------------------------|---------|------|
| Maximum access time          | 4.0     | ns   |
| Maximum operating current    | 225     | mA   |
| Maximum CMOS standby current | 40      | mA   |

**Pin Configurations**

**Figure 1. 100-pin TQFP (14 × 20 × 1.4 mm) pinout**



## Pin Definitions

| Name   | I/O                | Description  |
|--|--------------------|--|
| A <sub>0</sub> , A <sub>1</sub> , A                                  | Input-synchronous  | <b>Address inputs used to select one of the 128 K address locations.</b> Sampled at the rising edge of the CLK if ADSP or ADSC is active LOW, and CE <sub>1</sub> , CE <sub>2</sub> , and CE <sub>3</sub> are sampled active. A1:A0 are fed to the two-bit counter.  |
| $\overline{BW}_A, \overline{BW}_B, \overline{BW}_C, \overline{BW}_D$ | Input-synchronous  | <b>Byte write select inputs, active LOW.</b> Qualified with $\overline{BWE}$ to conduct byte writes to the SRAM. Sampled on the rising edge of CLK.  |
| GW   | Input-synchronous  | <b>Global write enable input, active LOW.</b> When asserted LOW on the rising edge of CLK, a global write is conducted (all bytes are written, regardless of the values on $\overline{BW}_{[A:D]}$ and $\overline{BWE}$ ).   |
| $\overline{BWE}$   | Input-synchronous  | <b>Byte write enable input, active LOW.</b> Sampled on the rising edge of CLK. This signal must be asserted LOW to conduct a byte write.   |
| CLK  | Input-clock        | <b>Clock input.</b> Used to capture all synchronous inputs to the device. Also used to increment the burst counter when $\overline{ADV}$ is asserted LOW, during a burst operation.  |
| $\overline{CE}_1$  | Input-synchronous  | <b>Chip enable 1 input, active LOW.</b> Sampled on the rising edge of CLK. Used in conjunction with CE <sub>2</sub> and CE <sub>3</sub> to select/deselect the device. ADSP is ignored if $\overline{CE}_1$ is HIGH. $\overline{CE}_1$ is sampled only when a new external address is loaded.  |
| CE <sub>2</sub>  | Input-synchronous  | <b>Chip enable 2 input, active HIGH.</b> Sampled on the rising edge of CLK. Used in conjunction with $\overline{CE}_1$ and CE <sub>3</sub> to select/deselect the device. CE <sub>2</sub> is sampled only when a new external address is loaded.   |
| CE <sub>3</sub>  | Input-synchronous  | <b>Chip enable 3 input, active LOW.</b> Sampled on the rising edge of CLK. Used in conjunction with $\overline{CE}_1$ and CE <sub>2</sub> to select/deselect the device. CE <sub>3</sub> is sampled only when a new external address is loaded.  |
| OE   | Input-asynchronous | <b>Output enable, asynchronous input, active LOW.</b> Controls the direction of the I/O pins. When LOW, the I/O pins behave as outputs. When deasserted HIGH, I/O pins are tri-stated, and act as input data pins. OE is masked during the first clock of a read cycle when emerging from a deselected state.  |
| $\overline{ADV}$   | Input-synchronous  | <b>Advance input signal, sampled on the rising edge of CLK, active LOW.</b> When asserted, it automatically increments the address in a burst cycle.   |
| ADSP   | Input-synchronous  | <b>Address strobe from processor, sampled on the rising edge of CLK, active LOW.</b> When asserted LOW, addresses presented to the device are captured in the address registers. A1:A0 are also loaded into the burst counter. When ADSP and ADSC are both asserted, only ADSP is recognized. ADSP is ignored when $\overline{CE}_1$ is deasserted HIGH.   |
| ADSC   | Input-synchronous  | <b>Address strobe from controller, sampled on the rising edge of CLK, active LOW.</b> When asserted LOW, addresses presented to the device are captured in the address registers. A1:A0 are also loaded into the burst counter. When ADSP and ADSC are both asserted, only ADSP is recognized.   |
| ZZ   | Input-asynchronous | <b>ZZ “sleep” input, active HIGH.</b> When asserted HIGH places the device in a non-time-critical “sleep” condition with data integrity preserved. For normal operation, this pin has to be LOW or left floating. ZZ pin has an internal pull-down.  |
| DQs  | I/O-synchronous    | <b>Bidirectional data I/O lines.</b> As inputs, they feed into an on-chip data register that is triggered by the rising edge of CLK. As outputs, they deliver the data contained in the memory location specified by the addresses presented during the previous clock rise of the read cycle. The direction of the pins is controlled by OE. When OE is asserted LOW, the pins behave as outputs. When HIGH, DQs are placed in a tri-state condition. |
| V <sub>DD</sub>  | Power supply       | <b>Power supply inputs to the core of the device.</b>  |
| V <sub>SS</sub>  | Ground             | <b>Ground for the core of the device.</b>  |
| V <sub>DDQ</sub>   | I/O power supply   | <b>Power supply for the I/O circuitry.</b>   |
| V <sub>SSQ</sub>   | I/O ground         | <b>Ground for the I/O circuitry.</b>   |
| MODE   | Input-static       | <b>Selects burst order.</b> When tied to GND selects linear burst sequence. When tied to V <sub>DD</sub> or left floating selects interleaved burst sequence. This is a strap pin and should remain static during device operation. Mode pin has an internal pull-up.  |

**Pin Definitions** (continued)

| Name   | I/O | Description   |
|--|-----|---|
| NC,<br>NC/9M,<br>NC/18M,<br>NC/72M,<br>NC/144M,<br>NC/288M,<br>NC/576M,<br>NC/1G | –   | <b>No Connects.</b> Not internally connected to the die. NC/9M, NC/18M, NC/72M, NC/144M, NC/288M, NC/576M and NC/1G are address expansion pins are not internally connected to the die. |

**Functional Overview**

All synchronous inputs pass through input registers controlled by the rising edge of the clock. All data outputs pass through output registers controlled by the rising edge of the clock. Maximum access delay from the clock rise ( $t_{CO}$ ) is 4.0 ns (133-MHz device).

The CY7C1339G supports secondary cache in systems utilizing either a linear or interleaved burst sequence. The interleaved burst order supports Pentium and i486™ processors. The linear burst sequence is suited for processors that utilize a linear burst sequence. The burst order is user selectable, and is determined by sampling the MODE input. Accesses can be initiated with either the processor address strobe ( $\overline{ADSP}$ ) or the controller address strobe ( $\overline{ADSC}$ ). Address advancement through the burst sequence is controlled by the ADV input. A two-bit on-chip wraparound burst counter captures the first address in a burst sequence and automatically increments the address for the rest of the burst access.

Byte write operations are qualified with the byte write enable ( $\overline{BWE}$ ) and byte write select ( $\overline{BW}_{[A:D]}$ ) inputs. A global write enable ( $\overline{GW}$ ) overrides all byte write inputs and writes data to all four bytes. All writes are simplified with on-chip synchronous self-timed write circuitry.

Three synchronous chip selects ( $\overline{CE}_1$ ,  $CE_2$ ,  $\overline{CE}_3$ ) and an asynchronous output enable ( $\overline{OE}$ ) provide for easy bank selection and output tri-state control.  $\overline{ADSP}$  is ignored if  $\overline{CE}_1$  is HIGH.

**Single Read Accesses**

This access is initiated when the following conditions are satisfied at clock rise: (1)  $\overline{ADSP}$  or  $\overline{ADSC}$  is asserted LOW, (2)  $\overline{CE}_1$ ,  $CE_2$ ,  $\overline{CE}_3$  are all asserted active, and (3) the write signals ( $\overline{GW}$ ,  $\overline{BWE}$ ) are all deserted HIGH.  $\overline{ADSP}$  is ignored if  $\overline{CE}_1$  is HIGH. The address presented to the address inputs (A) is stored into the address advancement logic and the address register while being presented to the memory array. The corresponding data is allowed to propagate to the input of the output registers. At the rising edge of the next clock the data is allowed to propagate through the output register and onto the data bus within 2.6 ns (250-MHz device) if  $\overline{OE}$  is active LOW. The only exception occurs when the SRAM is emerging from a deselected state to a selected state, its outputs are always tri-stated during the first cycle of the access. After the first cycle of the access, the outputs are controlled by the  $\overline{OE}$  signal. Consecutive single read cycles are supported. Once the SRAM is deselected at clock rise by the chip select and either  $\overline{ADSP}$  or  $\overline{ADSC}$  signals, its output will tri-state immediately.

**Single Write Accesses Initiated by  $\overline{ADSP}$**

This access is initiated when both of the following conditions are satisfied at clock rise: (1)  $\overline{ADSP}$  is asserted LOW, and (2)  $CE_1$ ,  $CE_2$ ,  $CE_3$  are all asserted active. The address presented to A is loaded into the address register and the address advancement logic while being delivered to the memory array. The Write signals ( $\overline{GW}$ ,  $\overline{BWE}$ , and  $\overline{BW}_{[A:D]}$ ) and ADV inputs are ignored during this first cycle.

$\overline{ADSP}$ -triggered write accesses require two clock cycles to complete. If  $\overline{GW}$  is asserted LOW on the second clock rise, the data presented to the DQs inputs is written into the corresponding address location in the memory array. If  $\overline{GW}$  is HIGH, then the write operation is controlled by  $\overline{BWE}$  and  $\overline{BW}_{[A:D]}$  signals. The CY7C1339G provides byte write capability that is described in the Write Cycle Descriptions table. Asserting the byte write enable input ( $\overline{BWE}$ ) with the selected byte write ( $\overline{BW}_{[A:D]}$ ) input, will selectively write to only the desired bytes. Bytes not selected during a byte write operation will remain unaltered. A synchronous self-timed Write mechanism has been provided to simplify the Write operations.

Because the CY7C1339G is a common I/O device, the output enable ( $\overline{OE}$ ) must be deserted HIGH before presenting data to the DQs inputs. Doing so will tri-state the output drivers. As a safety precaution, DQs are automatically tri-stated whenever a write cycle is detected, regardless of the state of  $\overline{OE}$ .

**Single Write Accesses Initiated by  $\overline{ADSC}$**

$\overline{ADSC}$  Write accesses are initiated when the following conditions are satisfied: (1)  $\overline{ADSC}$  is asserted LOW, (2)  $\overline{ADSP}$  is deserted HIGH, (3)  $CE_1$ ,  $CE_2$ ,  $\overline{CE}_3$  are all asserted active, and (4) the appropriate combination of the write inputs ( $\overline{GW}$ ,  $\overline{BWE}$ , and  $\overline{BW}_{[A:D]}$ ) are asserted active to conduct a write to the desired byte(s).  $\overline{ADSC}$ -triggered write accesses require a single clock cycle to complete. The address presented to A is loaded into the address register and the address advancement logic while being delivered to the memory array. The ADV input is ignored during this cycle. If a global write is conducted, the data presented to the DQs is written into the corresponding address location in the memory core. If a byte write is conducted, only the selected bytes are written. Bytes not selected during a byte write operation will remain unaltered. A synchronous self-timed write mechanism has been provided to simplify the write operations.

Because the CY7C1339G is a common I/O device, the output enable ( $\overline{OE}$ ) must be deserted HIGH before presenting data to the DQs inputs. Doing so will tri-state the output drivers. As a safety precaution, DQs are automatically tri-stated whenever a Write cycle is detected, regardless of the state of  $\overline{OE}$ .

### Burst Sequences

The CY7C1339G provides a two-bit wraparound counter, fed by A1:A0, that implements either an interleaved or linear burst sequence. The interleaved burst sequence is designed specifically to support Intel Pentium applications. The linear burst sequence is designed to support processors that follow a linear burst sequence. The burst sequence is user selectable through the MODE input.

Asserting  $\overline{ADV}$  LOW at clock rise will automatically increment the burst counter to the next address in the burst sequence. Both Read and Write burst operations are supported.

### Sleep Mode

The ZZ input pin is an asynchronous input. Asserting ZZ places the SRAM in a power conservation “sleep” mode. Two clock cycles are required to enter into or exit from this “sleep” mode. While in this mode, data integrity is guaranteed. Accesses pending when entering the “sleep” mode are not considered valid nor is the completion of the operation guaranteed. The device must be deselected prior to entering the “sleep” mode.  $\overline{CE}_1$ ,  $\overline{CE}_2$ ,  $\overline{CE}_3$ , ADSP, and ADSC must remain inactive for the duration of  $t_{ZZREC}$  after the ZZ input returns LOW.

### Interleaved Burst Address Table

(MODE = Floating or  $V_{DD}$ )

| First Address A1:A0 | Second Address A1:A0 | Third Address A1:A0 | Fourth Address A1:A0 |
|---------------------|----------------------|---------------------|----------------------|
| 00                  | 01                   | 10                  | 11                   |
| 01                  | 00                   | 11                  | 10                   |
| 10                  | 11                   | 00                  | 01                   |
| 11                  | 10                   | 01                  | 00                   |

### Linear Burst Address Table

(MODE = GND)

| First Address A1:A0 | Second Address A1:A0 | Third Address A1:A0 | Fourth Address A1:A0 |
|---------------------|----------------------|---------------------|----------------------|
| 00                  | 01                   | 10                  | 11                   |
| 01                  | 10                   | 11                  | 00                   |
| 10                  | 11                   | 00                  | 01                   |
| 11                  | 00                   | 01                  | 10                   |

### ZZ Mode Electrical Characteristics

| Parameter   | Description                        | Test Conditions           | Min        | Max        | Unit |
|-------------|------------------------------------|---------------------------|------------|------------|------|
| $I_{DDZZ}$  | Snooze mode standby current        | $ZZ \geq V_{DD} - 0.2 V$  | –          | 40         | mA   |
| $t_{ZZS}$   | Device operation to ZZ             | $ZZ \geq V_{DD} - 0.2 V$  | –          | $2t_{CYC}$ | ns   |
| $t_{ZZREC}$ | ZZ recovery time                   | $ZZ \leq 0.2 V$           | $2t_{CYC}$ | –          | ns   |
| $t_{ZZI}$   | ZZ active to snooze current        | This parameter is sampled | –          | $2t_{CYC}$ | ns   |
| $t_{RZZI}$  | ZZ Inactive to exit snooze current | This parameter is sampled | 0          | –          | ns   |

### Truth Table

The truth table for CY7C1339G follows. [1, 2, 3, 4, 5, 6]

| Operation                   | Add. Used | $\overline{CE}_1$ | $CE_2$ | $\overline{CE}_3$ | ZZ | $\overline{ADSP}$ | $\overline{ADSC}$ | $\overline{ADV}$ | $\overline{WRITE}$ | $\overline{OE}$ | CLK | DQ        |
|-----------------------------|-----------|-------------------|--------|-------------------|----|-------------------|-------------------|------------------|--------------------|-----------------|-----|-----------|
| Deselect cycle, power-down  | None      | H                 | X      | X                 | L  | X                 | L                 | X                | X                  | X               | L-H | Tri-state |
| Deselect cycle, power-down  | None      | L                 | L      | X                 | L  | L                 | X                 | X                | X                  | X               | L-H | Tri-state |
| Deselect cycle, power-down  | None      | L                 | X      | H                 | L  | L                 | X                 | X                | X                  | X               | L-H | Tri-state |
| Deselect cycle, power-down  | None      | L                 | L      | X                 | L  | H                 | L                 | X                | X                  | X               | L-H | Tri-state |
| Deselect cycle, power-down  | None      | L                 | X      | H                 | L  | H                 | L                 | X                | X                  | X               | L-H | Tri-state |
| Snooze mode, power-down     | None      | X                 | X      | X                 | H  | X                 | X                 | X                | X                  | X               | X   | Tri-state |
| READ cycle, begin burst     | External  | L                 | H      | L                 | L  | L                 | X                 | X                | X                  | L               | L-H | Q         |
| READ cycle, begin burst     | External  | L                 | H      | L                 | L  | L                 | X                 | X                | X                  | H               | L-H | Tri-state |
| WRITE cycle, begin burst    | External  | L                 | H      | L                 | L  | H                 | L                 | X                | L                  | X               | L-H | D         |
| READ cycle, begin burst     | External  | L                 | H      | L                 | L  | H                 | L                 | X                | H                  | L               | L-H | Q         |
| READ cycle, begin burst     | External  | L                 | H      | L                 | L  | H                 | L                 | X                | H                  | H               | L-H | Tri-state |
| READ cycle, continue burst  | Next      | X                 | X      | X                 | L  | H                 | H                 | L                | H                  | L               | L-H | Q         |
| READ cycle, continue burst  | Next      | X                 | X      | X                 | L  | H                 | H                 | L                | H                  | H               | L-H | Tri-state |
| READ cycle, continue burst  | Next      | H                 | X      | X                 | L  | X                 | H                 | L                | H                  | L               | L-H | Q         |
| READ cycle, continue burst  | Next      | H                 | X      | X                 | L  | X                 | H                 | L                | H                  | H               | L-H | Tri-state |
| WRITE cycle, continue burst | Next      | X                 | X      | X                 | L  | H                 | H                 | L                | L                  | X               | L-H | D         |
| WRITE cycle, continue burst | Next      | H                 | X      | X                 | L  | X                 | H                 | L                | L                  | X               | L-H | D         |
| READ cycle, suspend burst   | Current   | X                 | X      | X                 | L  | H                 | H                 | H                | H                  | L               | L-H | Q         |
| READ cycle, suspend burst   | Current   | X                 | X      | X                 | L  | H                 | H                 | H                | H                  | H               | L-H | Tri-state |
| READ cycle, suspend burst   | Current   | H                 | X      | X                 | L  | X                 | H                 | H                | H                  | L               | L-H | Q         |
| READ cycle, suspend burst   | Current   | H                 | X      | X                 | L  | X                 | H                 | H                | H                  | H               | L-H | Tri-state |
| WRITE cycle, suspend burst  | Current   | X                 | X      | X                 | L  | H                 | H                 | H                | L                  | X               | L-H | D         |
| WRITE cycle, suspend burst  | Current   | H                 | X      | X                 | L  | X                 | H                 | H                | L                  | X               | L-H | D         |

**Notes**

- X = "Don't Care." H = Logic HIGH, L = Logic LOW.
- $\overline{WRITE} = L$  when any one or more byte write enable signals ( $\overline{BW}_A, \overline{BW}_B, \overline{BW}_C, \overline{BW}_D$ ) and  $\overline{BWE} = L$  or  $\overline{GW} = L$ .  $\overline{WRITE} = H$  when all byte write enable signals ( $\overline{BW}_A, \overline{BW}_B, \overline{BW}_C, \overline{BW}_D$ ),  $\overline{BWE}$ ,  $\overline{GW} = H$ .
- The DQ pins are controlled by the current cycle and the  $\overline{OE}$  signal.  $\overline{OE}$  is asynchronous and is not sampled with the clock.
- $\overline{CE}_1, \overline{CE}_2$ , and  $\overline{CE}_3$  are available only in the TQFP package.
- The SRAM always initiates a read cycle when  $\overline{ADSP}$  is asserted, regardless of the state of  $\overline{GW}, \overline{BWE}$ , or  $\overline{BW}_{[A:D]}$ . Writes may occur only on subsequent clocks after the  $\overline{ADSP}$  or with the assertion of  $\overline{ADSC}$ . As a result,  $\overline{OE}$  must be driven HIGH prior to the start of the write cycle to allow the outputs to tri-state.  $\overline{OE}$  is a don't care for the remainder of the write cycle.
- $\overline{OE}$  is asynchronous and is not sampled with the clock rise. It is masked internally during write cycles. During a read cycle all data bits are tri-state when  $\overline{OE}$  is inactive or when the device is deselected, and all data bits behave as output when  $\overline{OE}$  is active (LOW).

### Partial Truth Table for Read/Write

The partial truth table for Read/Write for CY7C1339G follows. [7, 8]

| Function              | $\overline{GW}$ | $\overline{BWE}$ | $\overline{BW}_D$ | $\overline{BW}_C$ | $\overline{BW}_B$ | $\overline{BW}_A$ |
|-----------------------|-----------------|------------------|-------------------|-------------------|-------------------|-------------------|
| Read                  | H               | H                | X                 | X                 | X                 | X                 |
| Read                  | H               | L                | H                 | H                 | H                 | H                 |
| Write byte A – $DQ_A$ | H               | L                | H                 | H                 | H                 | L                 |
| Write byte B – $DQ_B$ | H               | L                | H                 | H                 | L                 | H                 |
| Write bytes B, A      | H               | L                | H                 | H                 | L                 | L                 |
| Write byte C – $DQ_C$ | H               | L                | H                 | L                 | H                 | H                 |
| Write bytes C, A      | H               | L                | H                 | L                 | H                 | L                 |
| Write bytes C, B      | H               | L                | H                 | L                 | L                 | H                 |
| Write bytes C, B, A   | H               | L                | H                 | L                 | L                 | L                 |
| Write byte D – $DQ_D$ | H               | L                | L                 | H                 | H                 | H                 |
| Write bytes D, A      | H               | L                | L                 | H                 | H                 | L                 |
| Write bytes D, B      | H               | L                | L                 | H                 | L                 | H                 |
| Write bytes D, B, A   | H               | L                | L                 | H                 | L                 | L                 |
| Write bytes D, C      | H               | L                | L                 | L                 | H                 | H                 |
| Write bytes D, C, A   | H               | L                | L                 | L                 | H                 | L                 |
| Write bytes D, C, B   | H               | L                | L                 | L                 | L                 | H                 |
| Write all bytes       | H               | L                | L                 | L                 | L                 | L                 |
| Write all bytes       | L               | X                | X                 | X                 | X                 | X                 |

**Notes**

7. X = "Don't Care." H = Logic HIGH, L = Logic LOW.

8. Table only lists a partial listing of the byte write combinations. Any combination of  $\overline{BW}_x$  is valid. Appropriate write will be done based on which byte write is active.



## Maximum Ratings

Exceeding maximum ratings may shorten the useful life of the device. User guidelines are not tested.

Storage temperature ..... -65 °C to +150 °C  
 Ambient temperature with power applied ..... -55 °C to +125 °C  
 Supply voltage on V<sub>DD</sub> relative to GND ..... -0.5 V to +4.6 V  
 Supply voltage on V<sub>DDQ</sub> relative to GND ..... -0.5 V to +V<sub>DD</sub>  
 DC voltage applied to outputs in tri-state ..... -0.5 V to V<sub>DDQ</sub> + 0.5 V

DC input voltage ..... -0.5 V to V<sub>DD</sub> + 0.5 V  
 Current into outputs (LOW) ..... 20 mA  
 Static discharge voltage (per MIL-STD-883, method 3015) ..... > 2001 V  
 Latch-up current ..... > 200 mA

## Operating Range

| Range      | Ambient Temperature | V <sub>DD</sub>    | V <sub>DDQ</sub>              |
|------------|---------------------|--------------------|-------------------------------|
| Commercial | 0 °C to +70 °C      | 3.3 V – 5% / + 10% | 2.5 V – 5% to V <sub>DD</sub> |

## Electrical Characteristics

Over the Operating Range

| Parameter <sup>[9, 10]</sup> | Description                                   | Test Conditions  | Min          | Max  | Unit |
|------------------------------|---|--|--------------|--|------|
| V <sub>DD</sub>              | Power supply voltage                          |  | 3.135        | 3.6  | V    |
| V <sub>DDQ</sub>             | I/O supply voltage                            |  | 2.375        | V <sub>DD</sub>                                    | V    |
| V <sub>OH</sub>              | Output HIGH voltage                           | for 3.3 V I/O, I <sub>OH</sub> = -4.0 mA<br>for 2.5 V I/O, I <sub>OH</sub> = -1.0 mA   | 2.4<br>2.0   | -  | V    |
| V <sub>OL</sub>              | Output LOW voltage                            | for 3.3 V I/O, I <sub>OL</sub> = 8.0 mA<br>for 2.5 V I/O, I <sub>OL</sub> = 1.0 mA   | -<br>-       | 0.4<br>0.4   | V    |
| V <sub>IH</sub>              | Input HIGH voltage <sup>[9]</sup>             | for 3.3 V I/O<br>for 2.5 V I/O   | 2.0<br>1.7   | V <sub>DD</sub> + 0.3 V<br>V <sub>DD</sub> + 0.3 V | V    |
| V <sub>IL</sub>              | Input LOW voltage <sup>[9]</sup>              | for 3.3 V I/O<br>for 2.5 V I/O   | -0.3<br>-0.3 | 0.8<br>0.7   | V    |
| I <sub>X</sub>               | Input leakage current except ZZ and MODE      | GND ≤ V <sub>I</sub> ≤ V <sub>DDQ</sub>  | -5           | 5  | μA   |
|                              | Input current of MODE                         | Input = V <sub>SS</sub><br>Input = V <sub>DD</sub>   | -30<br>-     | -<br>5   | μA   |
|                              | Input current of ZZ                           | Input = V <sub>SS</sub><br>Input = V <sub>DD</sub>   | -5<br>-      | -<br>30  | μA   |
| I <sub>OZ</sub>              | Output leakage current                        | GND ≤ V <sub>I</sub> ≤ V <sub>DDQ</sub> , output disabled  | -5           | 5  | μA   |
| I <sub>DD</sub>              | V <sub>DD</sub> operating supply current      | V <sub>DD</sub> = Max, I <sub>OUT</sub> = 0 mA,<br>f = f <sub>MAX</sub> = 1/t <sub>CYC</sub>   |              | 225  | mA   |
| I <sub>SB1</sub>             | Automatic CE power-down current – TTL inputs  | V <sub>DD</sub> = Max, device deselected,<br>V <sub>IN</sub> ≥ V <sub>IH</sub> or V <sub>IN</sub> ≤ V <sub>IL</sub> ,<br>f = f <sub>MAX</sub> = 1/t <sub>CYC</sub> |              | 90   | mA   |
| I <sub>SB2</sub>             | Automatic CE power-down current – CMOS inputs | V <sub>DD</sub> = Max, device deselected,<br>V <sub>IN</sub> ≤ 0.3 V or V <sub>IN</sub> ≥ V <sub>DDQ</sub> - 0.3 V,<br>f = 0                                       |              | 40   | mA   |
| I <sub>SB3</sub>             | Automatic CE power-down current – CMOS inputs | V <sub>DD</sub> = Max, device deselected,<br>V <sub>IN</sub> ≤ 0.3 V or V <sub>IN</sub> ≥ V <sub>DDQ</sub> - 0.3 V,<br>f = f <sub>MAX</sub> = 1/t <sub>CYC</sub>   |              | 75   | mA   |
| I <sub>SB4</sub>             | Automatic CE power-down current – TTL inputs  | V <sub>DD</sub> = Max, device deselected,<br>V <sub>IN</sub> ≥ V <sub>IH</sub> or V <sub>IN</sub> ≤ V <sub>IL</sub> , f = 0  |              | 45   | mA   |

### Notes

9. Overshoot: V<sub>IH(AC)</sub> < V<sub>DD</sub> + 1.5 V (Pulse width less than t<sub>CYC</sub>/2), undershoot: V<sub>IL(AC)</sub> > -2 V (Pulse width less than t<sub>CYC</sub>/2).  
 10. TPower-up: Assumes a linear ramp from 0 V to V<sub>DD(min)</sub> within 200 ms. During this time V<sub>IH</sub> < V<sub>DD</sub> and V<sub>DDQ</sub> ≤ V<sub>DD</sub>.

### Capacitance

| Parameter <sup>[11]</sup> | Description              | Test Conditions   | 100-pin TQFP Package | Unit |
|---------------------------|--------------------------|---|----------------------|------|
| C <sub>IN</sub>           | Input capacitance        | T <sub>A</sub> = 25 °C, f = 1 MHz,<br>V <sub>DD</sub> = 3.3 V, V <sub>DDQ</sub> = 3.3 V | 5                    | pF   |
| C <sub>CLK</sub>          | Clock input capacitance  |   | 5                    | pF   |
| C <sub>I/O</sub>          | Input/output capacitance |   | 5                    | pF   |

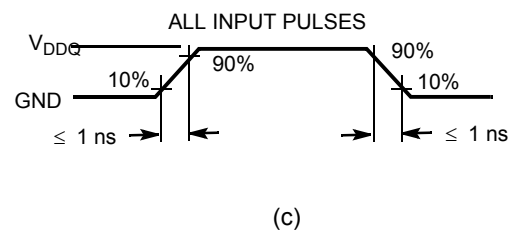
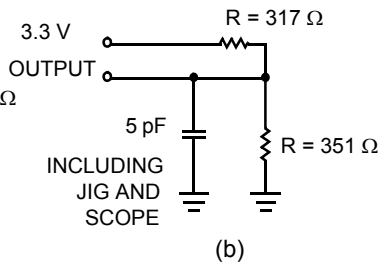
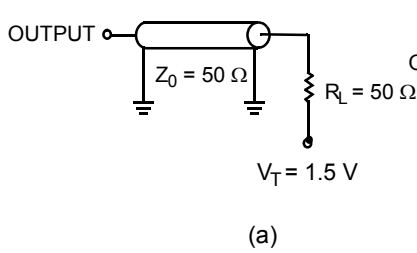
### Thermal Resistance

| Parameter <sup>[11]</sup> | Description                              | Test Conditions   | 100-pin TQFP Package | Unit |
|---------------------------|--|---|----------------------|------|
| Θ <sub>JA</sub>           | Thermal resistance (junction to ambient) | Test conditions follow standard test methods and procedures for measuring thermal impedance, per EIA/JESD51 | 30.32                | °C/W |
| Θ <sub>JC</sub>           | Thermal resistance (junction to case)    |   | 6.85                 | °C/W |

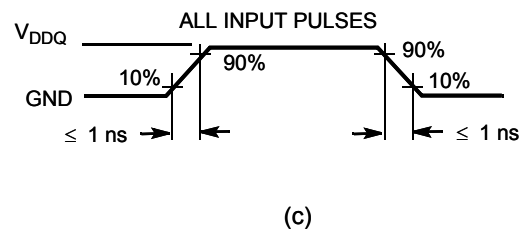
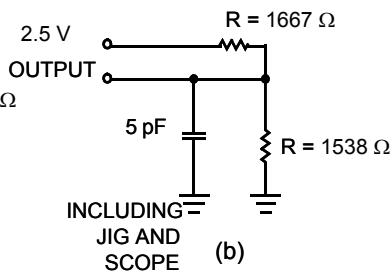
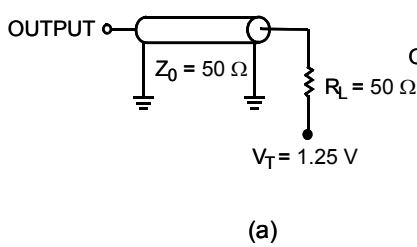
### AC Test Loads and Waveforms

Figure 2. AC Test Loads and Waveforms

#### 3.3 V I/O Test Load



#### 2.5 V I/O Test Load



**Note**

11. Tested initially and after any design or process change that may affect these parameters.

## Switching Characteristics

Over the Operating Range

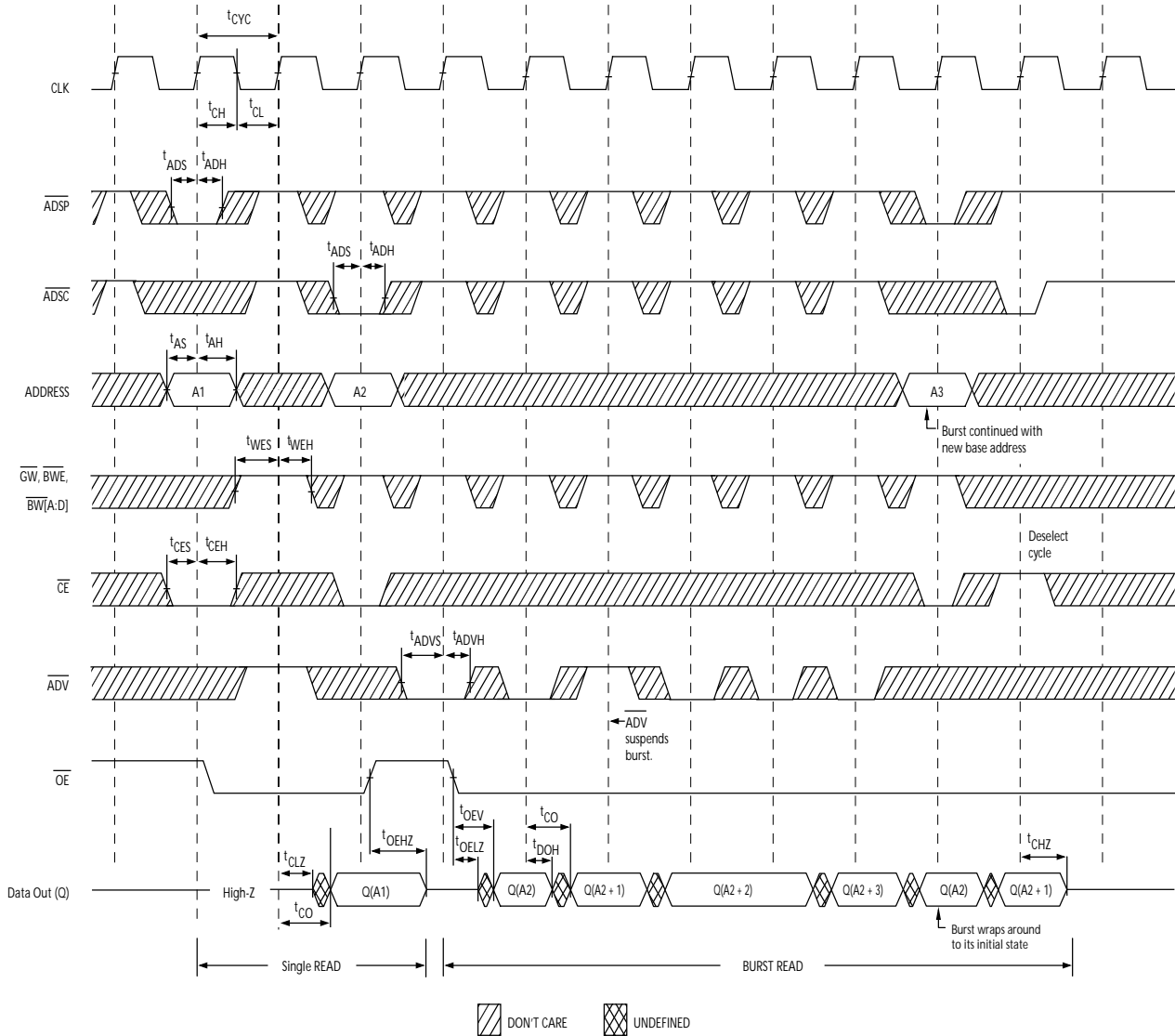
| Parameter [12, 13]  | Description   | -133 |     | Unit |
|---------------------|---|------|-----|------|
|                     |   | Min  | Max |      |
| $t_{POWER}$         | $V_{DD}(\text{typical})$ to the first access [14]                             | 1    | –   | ms   |
| <b>Clock</b>        |   |      |     |      |
| $t_{CYC}$           | Clock cycle time  | 7.5  | –   | ns   |
| $t_{CH}$            | Clock HIGH  | 3.0  | –   | ns   |
| $t_{CL}$            | Clock LOW   | 3.0  | –   | ns   |
| <b>Output Times</b> |   |      |     |      |
| $t_{CO}$            | Data output valid after CLK rise  | –    | 4.0 | ns   |
| $t_{DOH}$           | Data output hold after CLK rise   | 1.5  | –   | ns   |
| $t_{CLZ}$           | Clock to low Z [15, 16, 17]   | 0    | –   | ns   |
| $t_{CHZ}$           | Clock to high Z [15, 16, 17]  | –    | 4.0 | ns   |
| $t_{OE\bar{V}}$     | $\overline{OE}$ LOW to output valid   | –    | 4.0 | ns   |
| $t_{OE\bar{L}Z}$    | $\overline{OE}$ LOW to output low Z [15, 16, 17]                              | 0    | –   | ns   |
| $t_{OE\bar{H}Z}$    | $\overline{OE}$ HIGH to output high Z [15, 16, 17]                            | –    | 4.0 | ns   |
| <b>Set-up Times</b> |   |      |     |      |
| $t_{AS}$            | Address set-up before CLK rise  | 1.5  | –   | ns   |
| $t_{ADS}$           | $\overline{ADSC}$ , $\overline{ADSP}$ set-up before CLK rise                  | 1.5  | –   | ns   |
| $t_{ADVS}$          | $\overline{ADV}$ set-up before CLK rise                                       | 1.5  | –   | ns   |
| $t_{WES}$           | $\overline{GW}$ , $\overline{BWE}$ , $\overline{BW_X}$ set-up before CLK rise | 1.5  | –   | ns   |
| $t_{DS}$            | Data input set-up before CLK rise   | 1.5  | –   | ns   |
| $t_{CES}$           | Chip enable set-up before CLK rise  | 1.5  | –   | ns   |
| <b>Hold Times</b>   |   |      |     |      |
| $t_{AH}$            | Address hold after CLK rise   | 0.5  | –   | ns   |
| $t_{ADH}$           | $\overline{ADSP}$ , $\overline{ADSC}$ hold after CLK rise                     | 0.5  | –   | ns   |
| $t_{ADVH}$          | $\overline{ADV}$ hold after CLK rise  | 0.5  | –   | ns   |
| $t_{WEH}$           | $\overline{GW}$ , $\overline{BWE}$ , $\overline{BW_X}$ hold after CLK rise    | 0.5  | –   | ns   |
| $t_{DH}$            | Data input hold after CLK rise  | 0.5  | –   | ns   |
| $t_{CEH}$           | Chip enable hold after CLK rise   | 0.5  | –   | ns   |

### Notes

12. Timing reference level is 1.5 V when  $V_{DDQ} = 3.3$  V and is 1.25 V when  $V_{DDQ} = 2.5$  V.
13. Test conditions shown in (a) of [Figure 2 on page 10](#) unless otherwise noted.
14. This part has a voltage regulator internally;  $t_{POWER}$  is the time that the power needs to be supplied above  $V_{DD}(\text{minimum})$  initially before a read or write operation can be initiated.
15.  $t_{CHZ}$ ,  $t_{CLZ}$ ,  $t_{OE\bar{L}Z}$ , and  $t_{OE\bar{H}Z}$  are specified with AC test conditions shown in part (b) of [Figure 2 on page 10](#). Transition is measured  $\pm 200$  mV from steady-state voltage.
16. At any given voltage and temperature,  $t_{OE\bar{H}Z}$  is less than  $t_{OE\bar{L}Z}$  and  $t_{CHZ}$  is less than  $t_{CLZ}$  to eliminate bus contention between SRAMs when sharing the same data bus. These specifications do not imply a bus contention condition, but reflect parameters guaranteed over worst case user conditions. Device is designed to achieve high Z prior to low Z under the same system conditions.
17. This parameter is sampled and not 100% tested.

### Switching Waveforms

Figure 3. Read Cycle Timing [18]



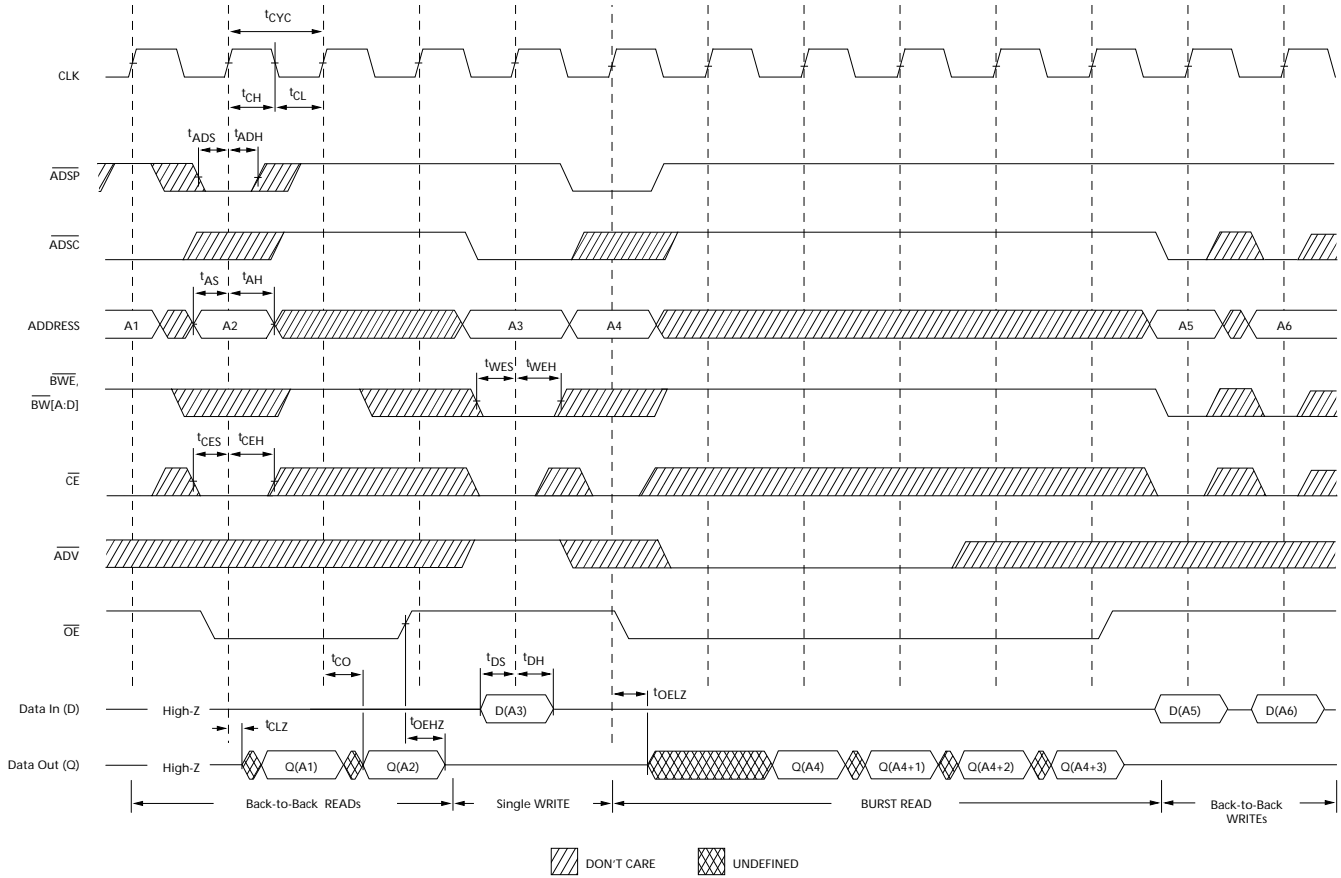
**Note**

18. On this diagram, when  $\overline{CE}$  is LOW,  $\overline{CE}_1$  is LOW,  $CE_2$  is HIGH and  $\overline{CE}_3$  is LOW. When  $\overline{CE}$  is HIGH,  $\overline{CE}_1$  is HIGH or  $CE_2$  is LOW or  $\overline{CE}_3$  is HIGH.



Switching Waveforms (continued)

Figure 5. Read/Write Cycle Timing [21, 22, 23]

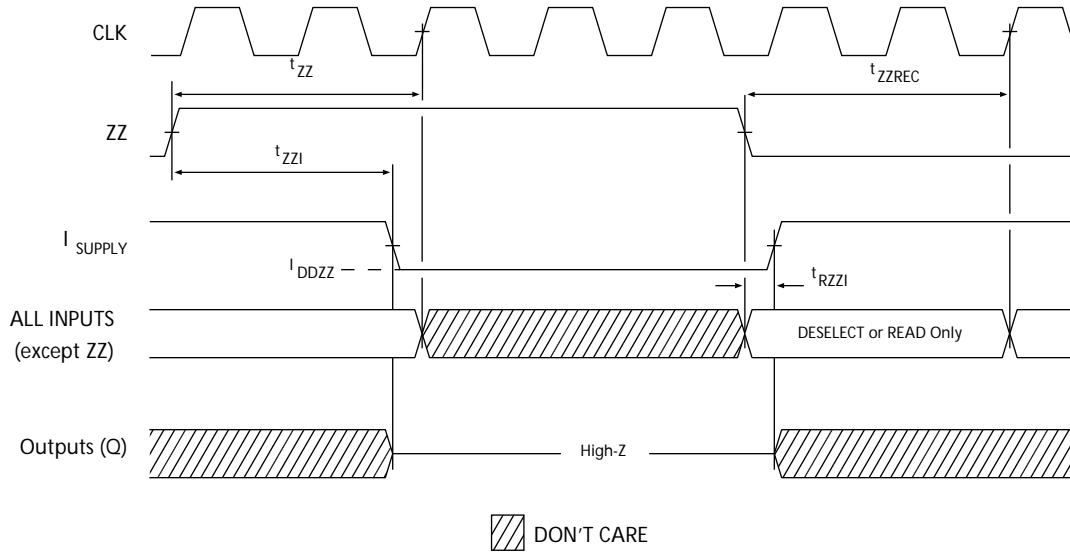


Notes

- 21. On this diagram, when  $\overline{CE}$  is LOW,  $\overline{CE}_1$  is LOW,  $CE_2$  is HIGH and  $\overline{CE}_3$  is LOW. When  $\overline{CE}$  is HIGH,  $\overline{CE}_1$  is HIGH or  $CE_2$  is LOW or  $\overline{CE}_3$  is HIGH.
- 22. The data bus (Q) remains in high Z following a WRITE cycle, unless a new read access is initiated by ADSP or ADSC.
- 23.  $\overline{GW}$  is HIGH.

**Switching Waveforms** (continued)

**Figure 6. ZZ Mode Timing** [24, 25]



**Notes**

- 24. Device must be deselected when entering ZZ mode. See Cycle Descriptions table for all possible signal conditions to deselect the device.
- 25. DQs are in high Z when exiting ZZ sleep mode.

## Ordering Information

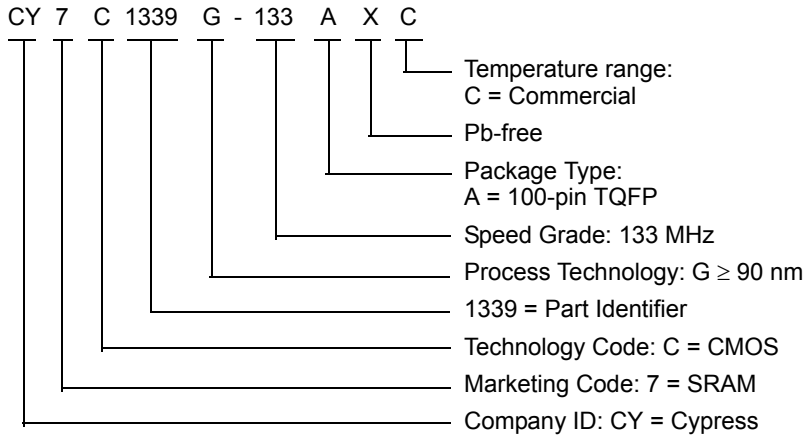
Cypress offers other versions of this type of product in many different configurations and features. The following table contains only the list of parts that are currently available.

For a complete listing of all options, visit the Cypress website at [www.cypress.com](http://www.cypress.com) and refer to the product summary page at <http://www.cypress.com/products> or contact your local sales representative.

Cypress maintains a worldwide network of offices, solution centers, manufacturer's representatives and distributors. To find the office closest to you, visit us at <http://www.cypress.com/go/datasheet/offices>.

| Speed (MHz) | Ordering Code    | Package Diagram | Package Type                            | Operating Range |
|-------------|------------------|-----------------|---|-----------------|
| 133         | CY7C1339G-133AXC | 51-85050        | 100-pin TQFP (14 × 20 × 1.4 mm) Pb-free | Commercial      |

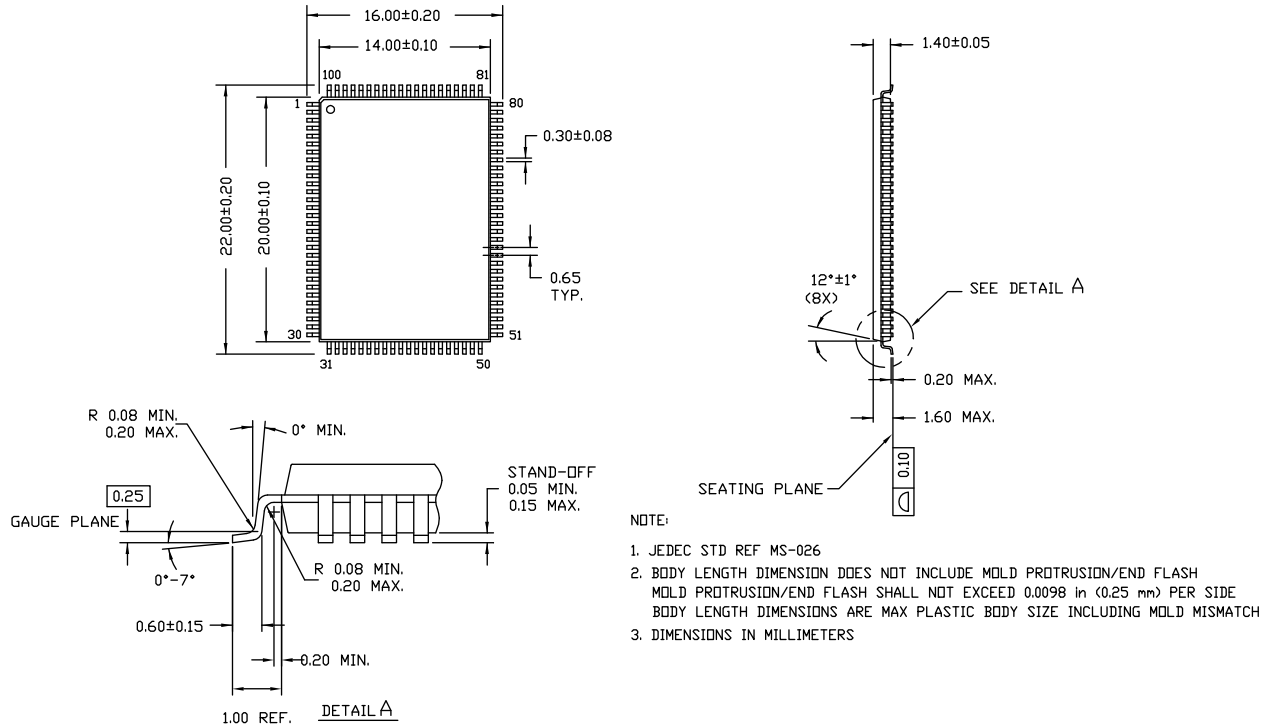
## Ordering Code Definitions





Package Diagrams

Figure 7. 100-pin TQFP (14 × 20 × 1.4 mm) A100RA Package Outline, 51-85050



51-85050 \*D

### Acronyms

| Acronym         | Description                                |
|-----------------|--|
| $\overline{CE}$ | chip enable                                |
| CMOS            | complementary metal oxide semiconductor    |
| EIA             | electronic industries alliance             |
| I/O             | input/output                               |
| JEDEC           | joint electron devices engineering council |
| $\overline{OE}$ | output enable                              |
| SRAM            | static random access memory                |
| TQFP            | thin quad flat pack                        |
| TTL             | transistor-transistor logic                |

### Document Conventions

#### Units of Measure

| Symbol      | Unit of Measure |
|-------------|-----------------|
| $^{\circ}C$ | degree Celsius  |
| MHz         | megahertz       |
| $\mu A$     | microampere     |
| mA          | milliampere     |
| mm          | millimeter      |
| ms          | millisecond     |
| mV          | millivolt       |
| ns          | nanosecond      |
| $\Omega$    | ohm             |
| %           | percent         |
| pF          | picofarad       |
| V           | volt            |
| W           | watt            |

**Document History Page**

| Document Title: CY7C1339G, 4-Mbit (128 K × 32) Pipelined Sync SRAM<br>Document Number: 38-05520 |         |            |                 |  |
|---|---------|------------|-----------------|--|
| Rev.  | ECN No. | Issue Date | Orig. of Change | Description of Change  |
| **  | 224368  | See ECN    | RKF             | New data sheet.  |
| *A  | 288909  | See ECN    | VBL             | Updated <a href="#">Ordering Information</a> (Updated part numbers (Added Pb-free BGA package), changed TQFP package to Pb-free TQFP package).   |
| *B  | 332895  | See ECN    | SYT             | Updated <a href="#">Pin Configurations</a> (Modified Address Expansion balls in the pinouts for 100-pin TQFP and 119-ball BGA Packages as per JEDEC standards).<br>Updated <a href="#">Pin Definitions</a> .<br>Updated <a href="#">Electrical Characteristics</a> (Updated test conditions for $V_{OL}$ and $V_{OH}$ parameters).<br>Updated <a href="#">Thermal Resistance</a> (Replaced TBDs for $\Theta_{JA}$ and $\Theta_{JC}$ to their respective values).<br>Updated <a href="#">Ordering Information</a> (By shading and unshading MPNs as per availability).                                    |
| *C  | 351194  | See ECN    | PCI             | Updated <a href="#">Ordering Information</a> (Updated part numbers).   |
| *D  | 366728  | See ECN    | PCI             | Updated <a href="#">Electrical Characteristics</a> (Updated test conditions for $V_{DD}$ and $V_{DDQ}$ parameters, updated Note 10 (Changed test condition from $V_{IH} \leq V_{DD}$ to $V_{IH} < V_{DD}$ ).   |
| *E  | 420883  | See ECN    | R XU            | Changed status from Preliminary to Final.<br>Changed address of Cypress Semiconductor Corporation from "3901 North First Street" to "198 Champion Court".<br>Updated <a href="#">Operating Range</a> (Added Automotive Range).<br>Updated <a href="#">Electrical Characteristics</a> (Changed "Input Load Current except ZZ and MODE" to "Input Leakage Current except ZZ and MODE").<br>Updated <a href="#">Ordering Information</a> (Updated part numbers, replaced Package Name column with Package Diagram in the Ordering Information table).<br>Replaced Package Diagram of 51-85050 from *A to *B |
| *F  | 480368  | See ECN    | VKN             | Updated <a href="#">Maximum Ratings</a> (Added the Maximum Rating for Supply Voltage on $V_{DDQ}$ Relative to GND).<br>Updated <a href="#">Ordering Information</a> (Updated part numbers).  |
| *G  | 2896584 | 03/19/2010 | NJY             | Updated <a href="#">Ordering Information</a> (Removed obsolete part numbers).<br>Updated <a href="#">Package Diagrams</a> .  |
| *H  | 3045943 | 10/03/2010 | NJY             | Added <a href="#">Ordering Code Definitions</a> .<br>Added <a href="#">Acronyms and Units of Measure</a> .<br>Minor edits and updated in new template.   |
| *I  | 3052769 | 10/08/2010 | NJY             | Updated <a href="#">Ordering Information</a> (Removed pruned part CY7C1339G-133AXI).   |
| *J  | 3365114 | 09/07/2011 | PRIT            | Updated <a href="#">Package Diagrams</a> .<br>Updated in new template.   |

Document History Page *(continued)*

| Document Title: CY7C1339G, 4-Mbit (128 K × 32) Pipelined Sync SRAM<br>Document Number: 38-05520 |         |            |                 |  |
|---|---------|------------|-----------------|--|
| Rev.  | ECN No. | Issue Date | Orig. of Change | Description of Change  |
| *K  | 3587066 | 05/10/2012 | NJY / PRIT      | Updated <a href="#">Features</a> (Removed 250 MHz, 200 MHz, and 166 MHz frequencies related information, removed 119-ball BGA package related information).<br>Updated <a href="#">Functional Description</a> (Removed the Note “For best-practices recommendations, please refer to the Cypress application note <i>System Design Guidelines</i> on <a href="http://www.cypress.com">www.cypress.com</a> .” and its reference).<br>Updated <a href="#">Selection Guide</a> (Removed 250 MHz, 200 MHz, and 166 MHz frequencies related information).<br>Updated <a href="#">Pin Configurations</a> (Removed 119-ball BGA package related information).<br>Updated <a href="#">Pin Definitions</a> (Removed 119-ball BGA package related information).<br>Updated <a href="#">Functional Overview</a> (Removed 250 MHz, 200 MHz, and 166 MHz frequencies related information).<br>Updated <a href="#">Truth Table</a> (Updated Note 4 (Removed 119-ball BGA package related information)).<br>Updated <a href="#">Operating Range</a> (Removed Industrial and Automotive Temperature Ranges).<br>Updated <a href="#">Electrical Characteristics</a> (Removed 250 MHz, 200 MHz, and 166 MHz frequencies related information, removed Industrial and Automotive Temperature Ranges).<br>Updated <a href="#">Capacitance</a> (Removed 119-ball BGA package related information).<br>Updated <a href="#">Thermal Resistance</a> (Removed 119-ball BGA package related information).<br>Updated <a href="#">Switching Characteristics</a> (Removed 250 MHz, 200 MHz, and 166 MHz frequencies related information).<br>Updated <a href="#">Package Diagrams</a> (Removed 119-ball BGA package related information). |
| *L  | 3766472 | 10/04/2012 | PRIT            | No technical updates. Completing sunset review.  |

## Sales, Solutions, and Legal Information

### Worldwide Sales and Design Support

Cypress maintains a worldwide network of offices, solution centers, manufacturer's representatives, and distributors. To find the office closest to you, visit us at [Cypress Locations](#).

### Products

|                          |  |
|--------------------------|--|
| Automotive               | <a href="http://cypress.com/go/automotive">cypress.com/go/automotive</a>   |
| Clocks & Buffers         | <a href="http://cypress.com/go/clocks">cypress.com/go/clocks</a>   |
| Interface                | <a href="http://cypress.com/go/interface">cypress.com/go/interface</a>   |
| Lighting & Power Control | <a href="http://cypress.com/go/powerpsoc">cypress.com/go/powerpsoc</a><br><a href="http://cypress.com/go/plc">cypress.com/go/plc</a> |
| Memory                   | <a href="http://cypress.com/go/memory">cypress.com/go/memory</a>   |
| Optical & Image Sensing  | <a href="http://cypress.com/go/image">cypress.com/go/image</a>   |
| PSoC                     | <a href="http://cypress.com/go/psoc">cypress.com/go/psoc</a>   |
| Touch Sensing            | <a href="http://cypress.com/go/touch">cypress.com/go/touch</a>   |
| USB Controllers          | <a href="http://cypress.com/go/USB">cypress.com/go/USB</a>   |
| Wireless/RF              | <a href="http://cypress.com/go/wireless">cypress.com/go/wireless</a>   |

### PSoC Solutions

[psoc.cypress.com/solutions](http://psoc.cypress.com/solutions)  
PSoC 1 | PSoC 3 | PSoC 5

---

© Cypress Semiconductor Corporation, 2004-2012. The information contained herein is subject to change without notice. Cypress Semiconductor Corporation assumes no responsibility for the use of any circuitry other than circuitry embodied in a Cypress product. Nor does it convey or imply any license under patent or other rights. Cypress products are not warranted nor intended to be used for medical, life support, life saving, critical control or safety applications, unless pursuant to an express written agreement with Cypress. Furthermore, Cypress does not authorize its products for use as critical components in life-support systems where a malfunction or failure may reasonably be expected to result in significant injury to the user. The inclusion of Cypress products in life-support systems application implies that the manufacturer assumes all risk of such use and in doing so indemnifies Cypress against all charges.

Any Source Code (software and/or firmware) is owned by Cypress Semiconductor Corporation (Cypress) and is protected by and subject to worldwide patent protection (United States and foreign), United States copyright laws and international treaty provisions. Cypress hereby grants to licensee a personal, non-exclusive, non-transferable license to copy, use, modify, create derivative works of, and compile the Cypress Source Code and derivative works for the sole purpose of creating custom software and or firmware in support of licensee product to be used only in conjunction with a Cypress integrated circuit as specified in the applicable agreement. Any reproduction, modification, translation, compilation, or representation of this Source Code except as specified above is prohibited without the express written permission of Cypress.

Disclaimer: CYPRESS MAKES NO WARRANTY OF ANY KIND, EXPRESS OR IMPLIED, WITH REGARD TO THIS MATERIAL, INCLUDING, BUT NOT LIMITED TO, THE IMPLIED WARRANTIES OF MERCHANTABILITY AND FITNESS FOR A PARTICULAR PURPOSE. Cypress reserves the right to make changes without further notice to the materials described herein. Cypress does not assume any liability arising out of the application or use of any product or circuit described herein. Cypress does not authorize its products for use as critical components in life-support systems where a malfunction or failure may reasonably be expected to result in significant injury to the user. The inclusion of Cypress' product in a life-support systems application implies that the manufacturer assumes all risk of such use and in doing so indemnifies Cypress against all charges.

Use may be limited by and subject to the applicable Cypress software license agreement.