

11.8×5.5mm for Automotive



RoHS Compliant

### Features

- Crystal unit for automotive electronics
- Small and low profile (11.8×5.5×2.5mm)
- Ceramic package
- Reflow compatible
- AEC-Q200 qualified

### Applications

- ECU

### How to Order

CX1255CA 04000 □□ □ □ □ □ □

- ① Series      ② Frequency      ③ Load Capacitance      ④ Frequency Stability
- |           |       |      |          |                          |      |
|-----------|-------|------|----------|--------------------------|------|
| <b>D0</b> | 8 pF  | —    | <b>P</b> | $\pm 50 \times 10^{-6}$  | —    |
| <b>H0</b> | 12 pF | Std. | <b>Q</b> | $\pm 100 \times 10^{-6}$ | Std. |
- ⑤ Operating Temp. Range      ⑥ Frequency Temp. Stability
- |           |               |                          |      |
|-----------|---------------|--------------------------|------|
| <b>TW</b> | -40 to +150°C | $\pm 200 \times 10^{-6}$ | Std. |
|-----------|---------------|--------------------------|------|
- ⑦ Individual Specification

### Specifications

Item	Symbol	Specification	Units	Remarks
Frequency Range	f <sub>nom</sub>	3500 to 20000	kHz	
Overtone Order	OT	Fundamental	—	
Load Capacitance	CL	12	pF	
Frequency Stability	f <sub>tol</sub>	±100	×10 <sup>-6</sup>	25°C±3°C
Motional Series Resistance	R1	Table 1	ohm	
Drive Level	DL	Table 2	μW	
Operating Temp. Range	T <sub>use</sub>	-40 to +150	°C	
Storage Temp. Range	T <sub>stg</sub>	-40 to +150	°C	
Frequency Temp. Characteristics	f <sub>tem</sub>	±200	×10 <sup>-6</sup>	Freq. deviation from the value at 25°C

• Please contact us for other specifications.

### Typical Frequencies and Part Numbers

Frequency (kHz)	Part Number
4000.000	CX1255CA04000H0QTWZ1
5000.000	CX1255CA05000H0QTWZ1
6000.000	CX1255CA06000H0QTWZ1
8000.000	CX1255CA08000H0QTWZ1
10000.000	CX1255CA10000H0QTWZ1
12000.000	CX1255CA12000H0QTWZ1
16000.000	CX1255CA16000H0QTWZ1
18000.000	CX1255CA18000H0QTWZ1
20000.000	CX1255CA20000H0QTWZ1

### Table1 Motional Series Resistance

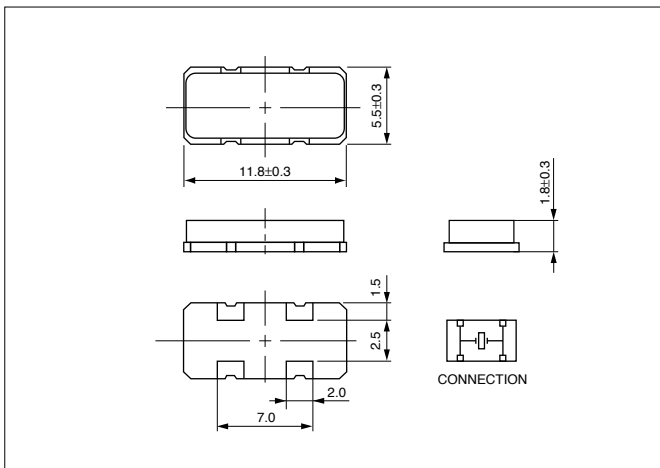
Frequency Range	Motional Series Resistance
3500 to 3999kHz	200Ω max.
4000 to 7999kHz	180Ω max.
8000 to 11999kHz	120Ω max.
12000 to 20000kHz	80Ω max.

### Table2 Level of Drive

Frequency Range	Level of Drive
3500 to 15999kHz	10μW (500μW max.)
16000 to 20000kHz	10μW (300μW max.)

### Dimensions

(Unit: mm)



### Recommended Land Pattern

(Unit: mm)

