

PLEASE CHECK WWW.MOLEX.COM FOR LATEST PART INFORMATION

Part Number: [0989821020](#)
Status: **Active**
Overview: [mox crimp terminals](#)
Description: 2.54mm (.100") Pitch MOX Receptacle Kit, 4 Rows, 40 Circuits, White

Documents:

[Drawing \(PDF\)](#) [RoHS Certificate of Compliance \(PDF\)](#)

General

Product Family	Crimp Housings
Series	98982
Overview	mox crimp terminals
Product Name	MOX

Physical

Circuits (maximum)	40
Color - Resin	White
Gender	Receptacle
Glow-Wire Compliant	No
Keying to Mating Part	None
Lock to Mating Part	Yes
Material - Resin	Polyester
Number of Rows	2
Packaging Type	Bag
Panel Mount	No
Pitch - Mating Interface (in)	0.100 In
Pitch - Mating Interface (mm)	2.54 mm
Pitch - Term. Interface (in)	0.100 In
Pitch - Term. Interface (mm)	2.54 mm
Polarized to Mating Part	Yes
Ports	1
Stackable	No
Temperature Range - Operating	-40°C to +125°C

Electrical

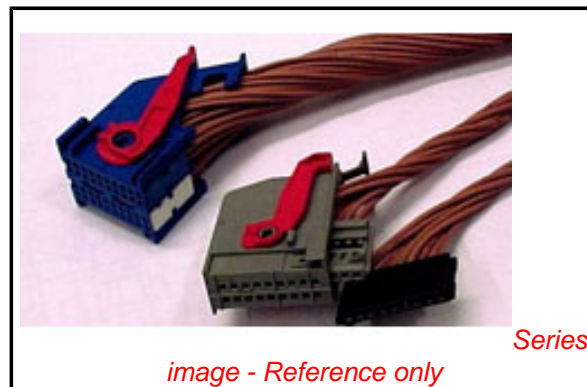
Current - Maximum per Contact	6A
-------------------------------	----

Material Info

Old Part Number	52599EV40M9
-----------------	-------------

Reference - Drawing Numbers

Application Specification	AS-98982-001
Packaging Specification	PK-98982-001
Sales Drawing	SD-98982-002



EU RoHS

**ELV and RoHS
Compliant**
**REACH SVHC
Contains SVHC: No**
**Halogen-Free
Status
Not Reviewed**

China RoHS



**Need more information on product
environmental compliance?**

Email productcompliance@molex.com
 For a multiple part number RoHS Certificate of
 Compliance, [click here](#)

Please visit the [Contact Us](#) section for any
 non-product compliance questions.

Search Parts in this Series

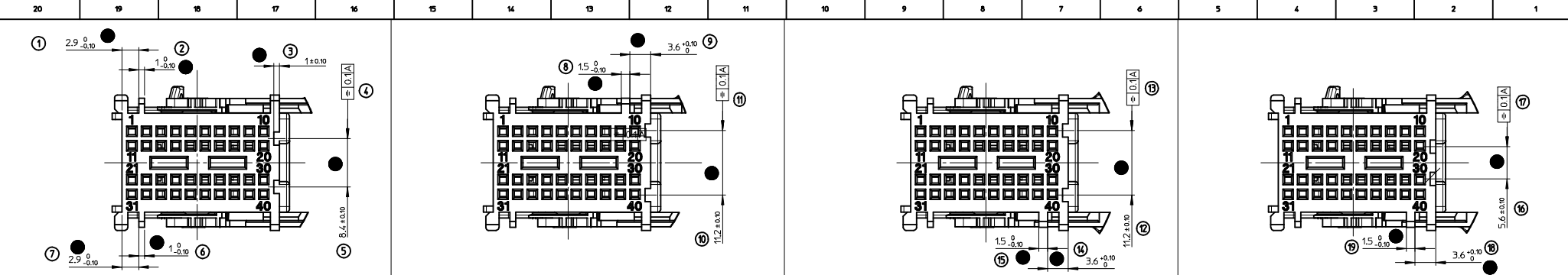
[98982Series](#)

Mates With

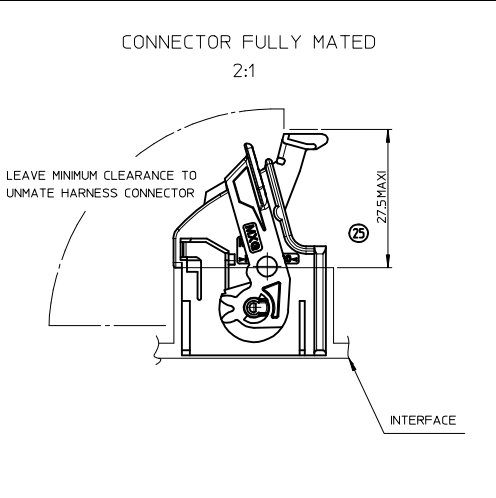
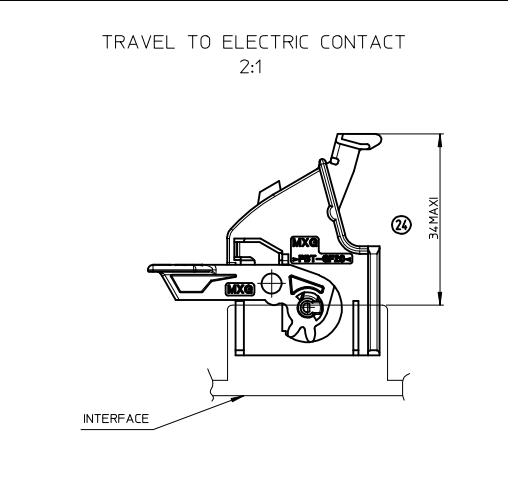
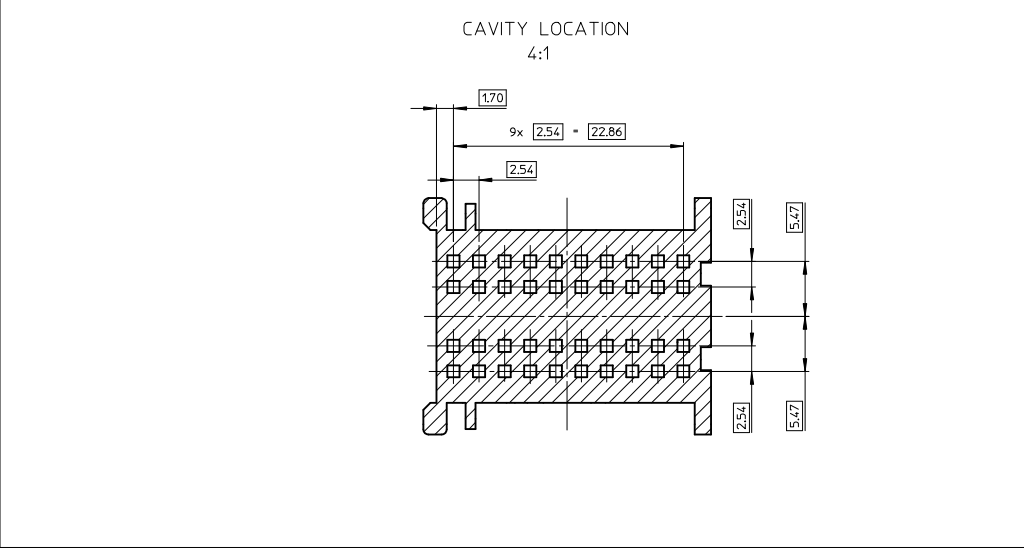
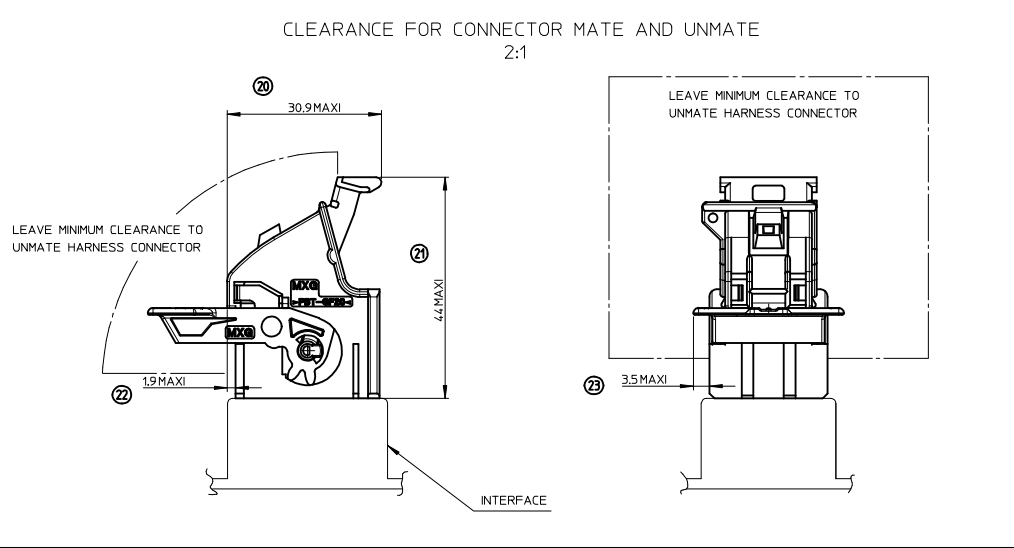
Contact Molex

Use With

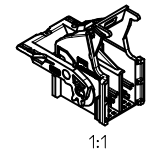
[98658](#) MOX Crimp Terminal



MOLEX P/N 0989821021 BLACK MOLEX P/N 0989821028 GREY MOLEX P/N 0989821020 WHITE MOLEX P/N 0989821026 BLUE

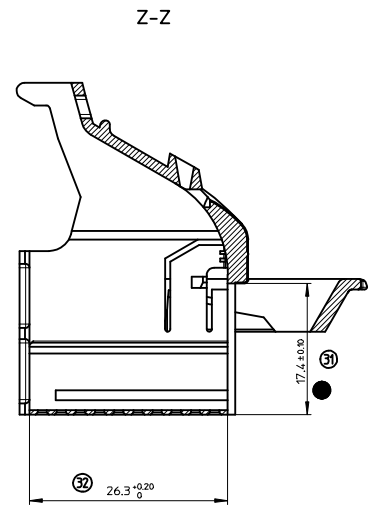
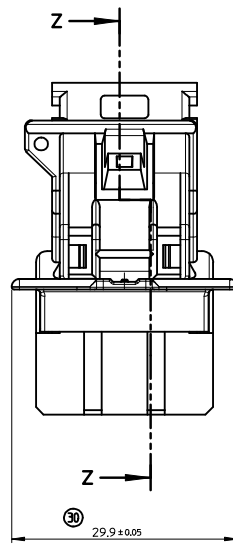
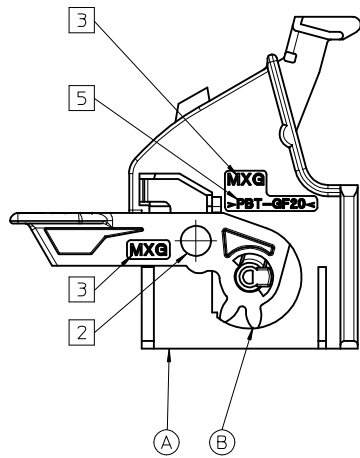
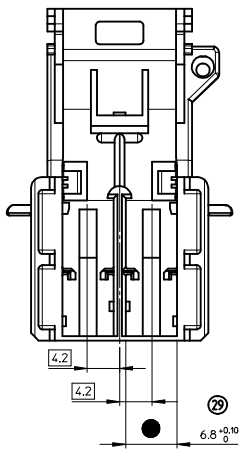
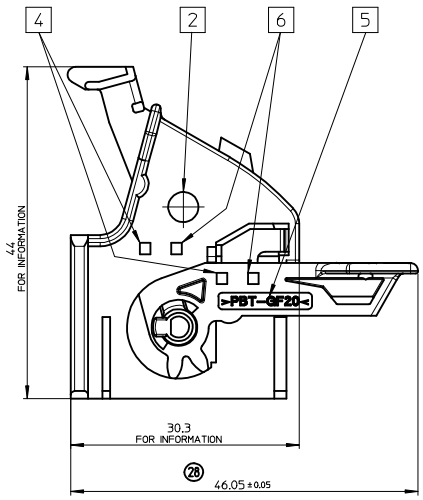
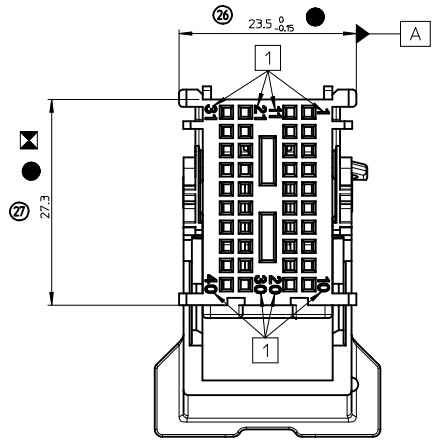


☒	INDICATION DIMENSIONS S.P.C DENOTES 'S.P.C DIMENSIONS'
●	INDICATION DIMENSIONS CRITIQUES DENOTES 'CRITICAL DIMENSIONS'
●	INDICATION DIMENSIONS FONCTIONNELLES DENOTES 'FUNCTIONAL DIMENSIONS'
QUANTITE PAR FEUILLE INDIVIDUELLE QUANTITY PER INDIVIDUAL SHEET	
☒ 0	● 0
☒ 0	● 15



FIRST RELEASE EC NO: GZ008-0096 DRAWN: POUCHAUD 2007/10/15 CHECKED: YIGEL 2007/10/15 APPROVED: LSTICKEIR 2007/10/15	QUALITY SYMBOLS ▽=0 ▽=0	GENERAL TOLERANCES (UNLESS SPECIFIED) <table border="1"> <tr> <th></th> <th>mm</th> <th>INCH</th> </tr> <tr> <td>4 PLACES</td> <td>± ---</td> <td>± ---</td> </tr> <tr> <td>3 PLACES</td> <td>± ---</td> <td>± ---</td> </tr> <tr> <td>2 PLACES</td> <td>± 0.05</td> <td>± ---</td> </tr> <tr> <td>1 PLACE</td> <td>± 0.10</td> <td>± ---</td> </tr> </table> ANGULAR ± 2°		mm	INCH	4 PLACES	± ---	± ---	3 PLACES	± ---	± ---	2 PLACES	± 0.05	± ---	1 PLACE	± 0.10	± ---	DIMENSION STYLE MM ONLY	SCALE 3:1 DESIGN UNITS METRIC THIRD ANGLE PROJECTION
		mm	INCH																
	4 PLACES	± ---	± ---																
3 PLACES	± ---	± ---																	
2 PLACES	± 0.05	± ---																	
1 PLACE	± 0.10	± ---																	
DRAWN BY LPOUCHAUD CHECKED BY YIGEL APPROVED BY LSTICKEIR DATE 2007/09/05 DATE 2007/09/05 DATE 2007/09/10	TITLE MOX MOUNT HSG RCPT CONN 40CKT	MOLEX INCORPORATED DOCUMENT NO. SD-98982-002	SHEET NO. 1 OF 2																
DRAFT WHERE APPLICABLE MUST REMAIN WITHIN DIMENSIONS		SEE CHART	THIS DRAWING CONTAINS INFORMATION THAT IS PROPRIETARY TO MOLEX INCORPORATED AND SHOULD NOT BE USED WITHOUT WRITTEN PERMISSION																

⊠	INDICATION DIMENSIONS S.P.C DENOTES S.P.C DIMENSIONS
⊗	INDICATION DIMENSIONS CRITIQUES DENOTES CRITICAL DIMENSIONS
●	INDICATION DIMENSIONS FONCTIONNELLES DENOTES FUNCTIONAL DIMENSIONS
QUANTITE PAR FEUILLE INDIVIDUELLE QUANTITY PER INDIVIDUAL SHEET	
⊠ 1	⊗ 0
● 4	



MARKINGS	NOTES :
1 - CAVITY NUMBER	- FOR ILLUSTRATION PURPOSE, THE MOX HOUSING SHOWN IS THE BLACK CODING P/N 0989821021. FOR OTHER COLOR VERSION, SEE CODING CHART.
2 - DATUM MONTH/YEAR	- PRODUCT QUALIFIED ACCORDING TO PSA NORM: 9629764699A.
3 - MOLEX MARK	- APPLICATION SPECIFICATION: RAS-98982-001.
4 - IMPRESSION MARK	- INTERFACE DRAWING IS THE PROPERTY FROM PSA: 9633297199
5 - RAW MATERIAL	- IN THE MOX HOUSING RECEPTACLE CONNECTOR, MOUNT JUST MOLEX MODULE 0989821010 AND 0989821016.
6 - REVISION LEVEL	

FIRST RELEASE EC NO: GZ008-0096 DRAWN: POUCHAUD 2007/10/15 CHKD: YIGEL 2007/10/15 APPROVAL: LESTICKEIR 2007/10/15	B	1	Piece	MOX Rcpt Conn Lever Bk 40CKT	0989820031	BLACK	>PBT-GF20<	1.891 g
	A	1	Piece	MOX Mounting HSG Rcpt Bk 40CKT	0989820021	BLACK	>PBT-GF20<	6.087 g
QUALITY SYMBOLS	GENERAL TOLERANCES (UNLESS SPECIFIED)		DIMENSION STYLE		SCALE	DESIGN UNITS	THIRD ANGLE PROJECTION	
▽=0	mm INCH		MM ONLY		3:1	METRIC	MOLEX INCORPORATED	
▽=0	4 PLACES ± --- ± ---	DRAWN BY DATE		TITLE		MOX MOUNT HSG RCPT CONN 40CKT		
	3 PLACES ± --- ± ---	LPOUCHAUD 2007/09/05		CHECKED BY DATE		MOLEX INCORPORATED		
	2 PLACES ± 0.05 ± ---	YIGEL 2007/09/05		APPROVED BY DATE		DOCUMENT NO. SD-98982-002		
	1 PLACE ± 0.10 ± ---	LSTICKEIR 2007/09/10		MATERIAL NO.		SHEET NO. 2 OF 2		
DRAFT WHERE APPLICABLE MUST REMAIN WITHIN DIMENSIONS		SEE CHART		THIS DRAWING CONTAINS INFORMATION THAT IS PROPRIETARY TO MOLEX INCORPORATED AND SHOULD NOT BE USED WITHOUT WRITTEN PERMISSION				