

PLEASE CHECK WWW.MOLEX.COM FOR LATEST PART INFORMATION

Part Number: [0191640069](#)
Status: **Active**
Description: Perma-Seal™ Spade Tongue Terminal for 10-12 AWG Wire, Stud Size 6

Agency Certification

CSA LR18689
 UL E32244

General

Product Family Ring and Spade Terminals
 Series [19164](#)
 Crimp Quality Equipment Yes
 Mil-Spec N/A
 MolexKits Yes
 Product Name Perma-Seal™
 Type Spade

Physical

Barrel Type Closed
 Flammability 94V-2
 Insulation NiAc™
 Material - Plating Mating Tin
 Packaging Type Bag
 Plating min: Mating (µin) 100
 Plating min: Mating (µm) 2.5
 Plating min: Termination (µin) 100
 Plating min: Termination (µm) 2.5
 Stud Size 6 (M3.5)
 Wire Insulation Diameter 7.87mm (.310")
 Wire Size AWG 10, 12
 Wire Size mm² 3.09 - 5.01

Material Info

Old Part Number SC-241-06

Reference - Drawing Numbers

Sales Drawing SD-19164-048

EU RoHS

ELV and RoHS Compliant

REACH SVHC

Not Reviewed

Halogen-Free

Status

Not Reviewed

China RoHS



Need more information on product environmental compliance?

Email productcompliance@molex.com
 For a multiple part number RoHS Certificate of Compliance, [click here](#)

Please visit the [Contact Us](#) section for any non-product compliance questions.

Search Parts in this Series

[19164Series](#)

Application Tooling | FAQ

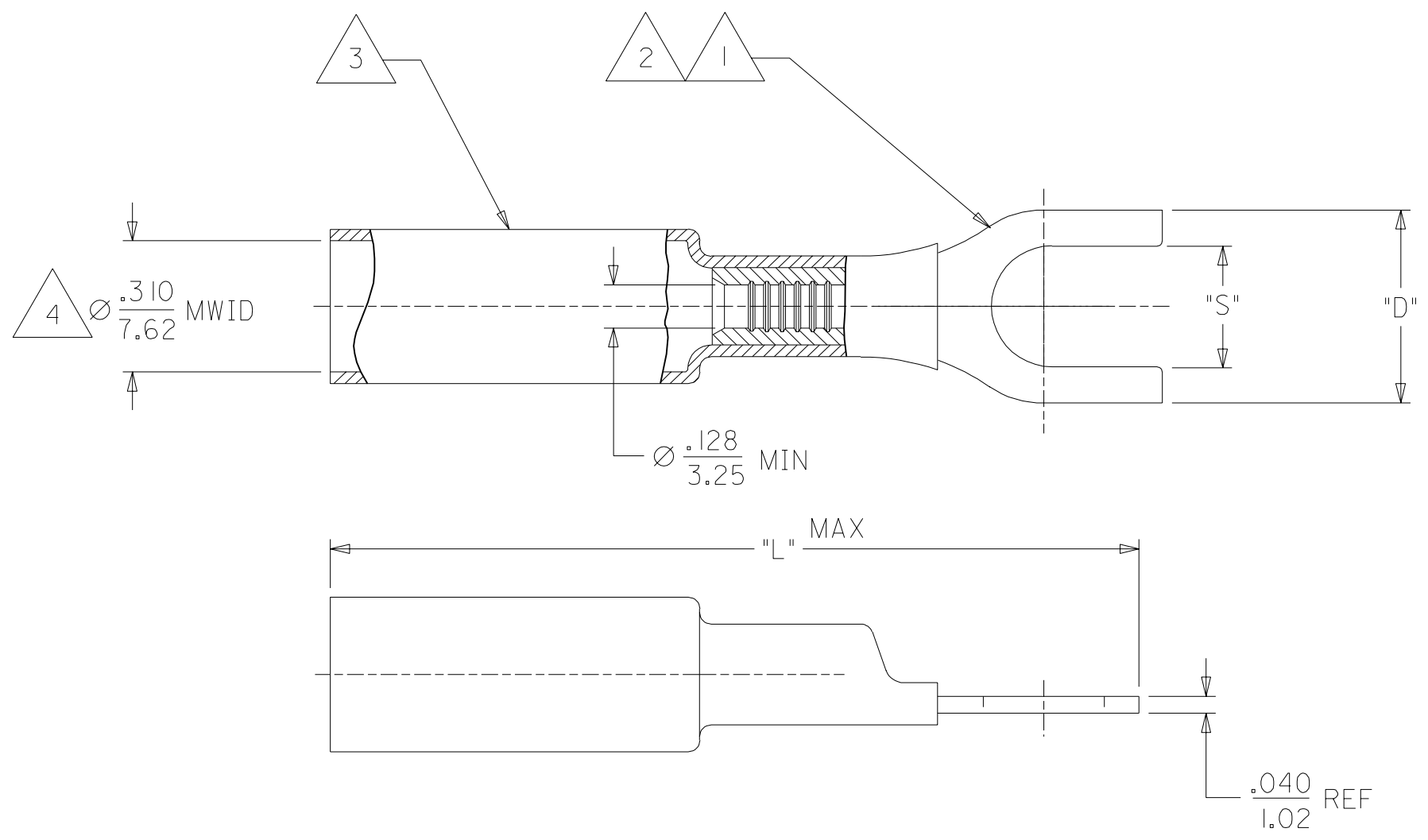
Tooling specifications and manuals are found by selecting the products below. Crimp Height Specifications are then contained in the Application Tooling Specification document.

Global

Description	Product #
Power Crimp Tool	0640057400
Head for Prema-Seal™ Terminals	
10-22 AWG	
Hand Crimp Tool, UL	0640017400
Approved	

PLEASE CHECK WWW.MOLEX.COM FOR LATEST PART INFORMATION

MATERIAL NUMBER	ENGINEERING NUMBER	STUD SIZE	SLOT "S" $\frac{\pm 0.10}{\pm 0.25}$	"D" MAX	"L" MAX
191640069	SC-241-06	#6	.146/3.71	.39/9.9	1.39/35.3
191640070	SC-241-08	#8	.173/4.39	.39/9.9	1.39/35.3
191640072	SC-268-10	#10	.198/5.03	.54/13.7	1.57/39.9
191640073	SC-268-14	1/4	.265/6.73	.54/13.7	1.57/39.9



NOTES:

- 1. TERMINAL MATERIAL: COPPER ALLOY
- 2. FINISH: ELECTRO TIN PLATE.
- 3. INSULATION MATERIAL: HEAT SHRINKABLE TUBING WITH HOTMELT ADHESIVE INNER LINER. COLOR: YELLOW
- 4. MWID = MAXIMUM WIRE INSULATION DIAMETER.

SALES DRAWING

NEW RELEASE EC NO. ETC2003-0079 DRWN: BRE 02/12/19 CHK: HEB 02/12/19 APPR: RWD 02/12/19	DESCRIPTION REV	QUALITY SYMBOLS	GENERAL TOLERANCES: (UNLESS SPECIFIED)	SCALE NO: NE	DESIGN UNITS	THIRD ANGLE PROJECTION	DIMENSIONS:	SHT	REV
		MAJOR $\nabla = 0$	mm INCH	NO: NE	<input type="checkbox"/> mm <input checked="" type="checkbox"/> INCH	<input type="checkbox"/> mm <input checked="" type="checkbox"/> INCH	<input type="checkbox"/> mm ONLY		
		CRITICAL $\nabla = 0$	4 PLACES $\pm 0.$ $\pm.$	DRAWN BY & DATE	TITLE: SPADE TERMINAL				
			3 PLACES $\pm 0.$ $\pm.$	BRE 02/08/20	PERMA-SEAL				
	2 PLACES $\pm 0.$ $\pm.$	CHECKED BY & DATE	10-12 AWG						
	1 PLACE $\pm 0.$ $\pm.$	HEB 02/08/20	MOLEX INCORPORATED						
	ANGULAR: \pm $^{\circ}$	APPROVED BY & DATE	CAD FILENAME	MATERIAL NO.	DRAWING NO.	SHEET NO.			
		RWD 02/08/20	SD-19164-048.DGN	SEE CHART	SD-19164-048	1 OF 1			
			THIS DRAWING CONTAINS INFORMATION THAT IS PROPRIETARY TO MOLEX INCORPORATED AND SHOULD NOT BE USED WITHOUT WRITTEN PERMISSION.				SIZE B		