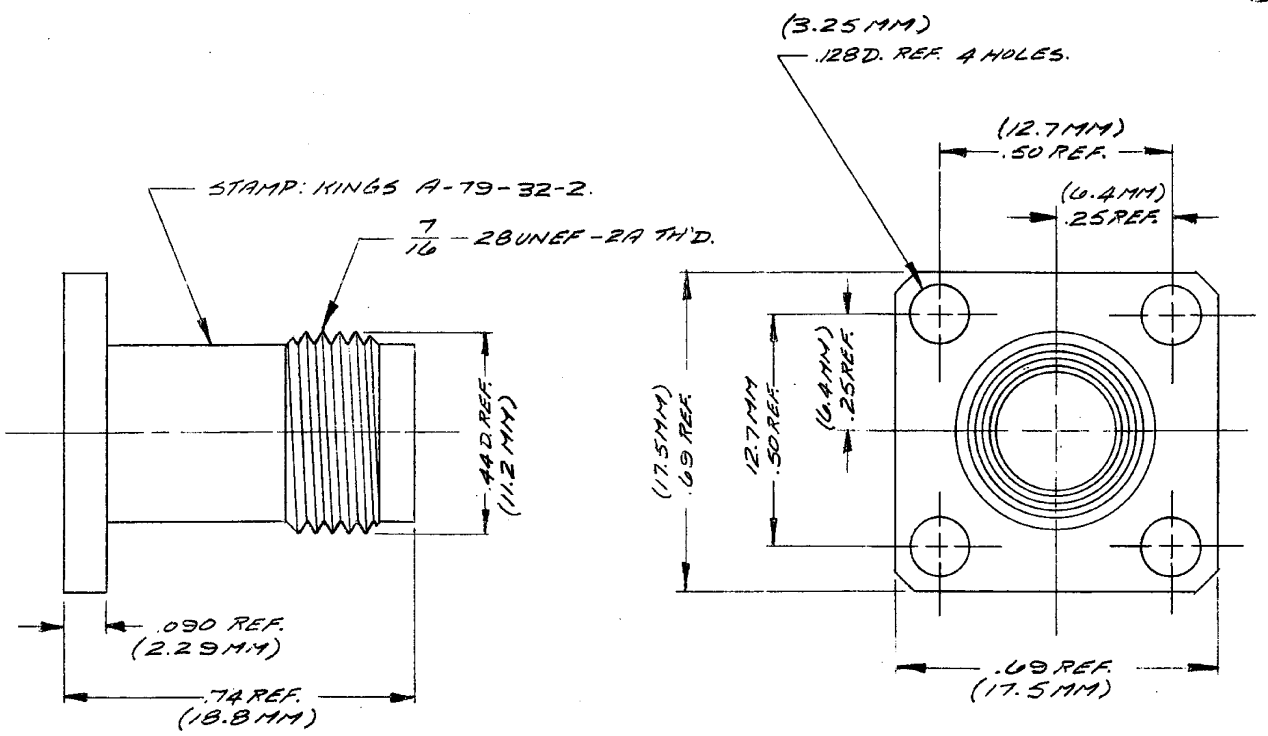


GSD

A-79-32-2

REVISIONS	
ISSUE	CHANGES
5.	CN 2455A L GJG 10 MAY 83
6	CN 39137 E TML 08/25/04



- NOTES:
1. MATERIAL: BRASS, QQ-B-626.
 2. FINISH: SILVER PLT PER, QQ-S-365.

UNLESS OTHERWISE SPECIFIED:

1. TOLERANCES: FRACTIONS & 2 PLACE DECIMALS ± .010	2. REMOVE ALL BURRS, BREAK SHARP EDGES .005 MAX.
3 PLACE DECIMALS ± .004	3. NO FILLETS PERMITTED.
ANGLES ± 0°30'	4. SURFACE ROUGHNESS 63 MICROINCHES RMS MAX.
T. I. R. CONCENTRICITY OF ANY 2 DIAMETERS MAY NOT EXCEED HALF THE SUM OF THEIR TOLERANCES.	5. ALL DIMENSIONS PRIOR TO PLATING.
	6. ALL PLATING IN ACCORDANCE WITH KER 10004.

GSD

SCALE	4:1
APPROX. SURFACE AREA	
USED ON	
REF. MCDONNELL DOUGLAS	STEM 1417-001 REV. L
TNC DUMMY RECEPTACLE (F)	
DRAWN CT	DATE 16 OCT 80
APPR. MJB	DATE 17 OCT 80
APPR.	DATE
A-79-32-2	