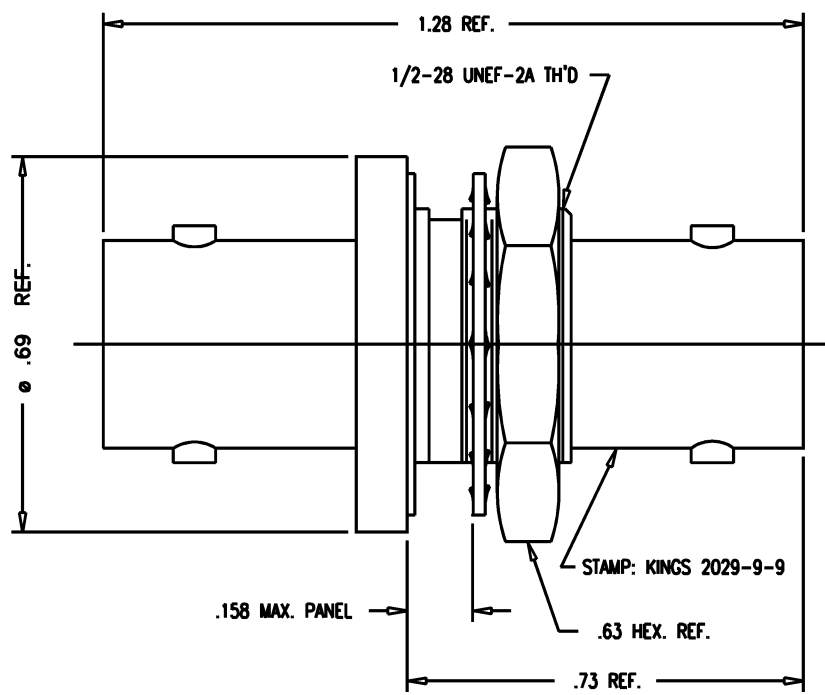
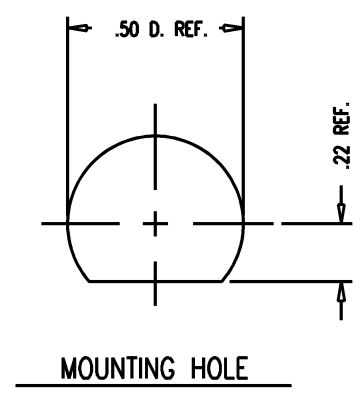


DASH NO.	M CODE	MADE FROM
----------	--------	-----------

GSD



- NOTES:
- MATERIALS:
 - INSULATORS: TEFLON, ASTM-D4894
 - GASKET: SILICONE RUBBER, A-A-59588
 - LOCKWASHER: PHOSPHOR BRONZE, ASTM-B103
 - CENTER CONTACT: BER. COP., ASTM-B196
 - ALL OTHER METAL PARTS: BRASS, ASTM-B16
 - FINISHES:
 - CENTER CONTACT: GOLD, ASTM-B488
 - ALL OTHER METAL PARTS: NICKEL, SAE-AMS-QQ-N-290.
 - ELECTRIAL CHARACTERISTICS:
 - NOMINAL IMPEDANCE: 75 OHMS
 - VOLTAGE RATING: 500 VRMS
 - FREQUENCY RANGE: DC TO 2 GHz
 - HEX NUT PART NUMBER 492-A-9 M06.



GSD

2029-9-9

REVISIONS	
ISSUE	CHANGES
1	CN 33546 A REDRAWN KH 11/19/91
2	CN 35369 C KVH 03/31/94
3	CN 39467 E DRK 05/15/06

SCALE 4:1
APPROX SURFACE AREA
USED ON
REF:
ADAPTER, F-F, BULKHEAD, 75 BNC
DRAWN KH DATE 11/19/91
DESIGN DW DATE 11/19/91
APPR. DATE

KINGS
ELECTRONICS CO., INC.
ROCK HILL, SOUTH CAROLINA 29730

2029-9-9