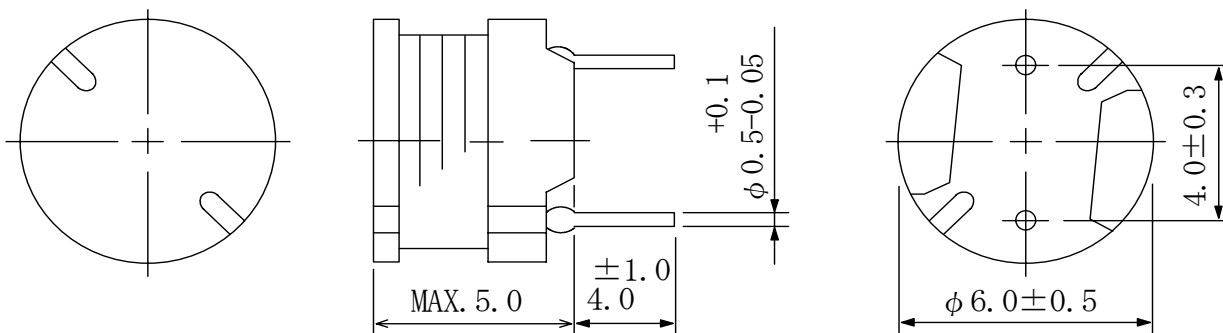


**Type: RCH-654**
**◆ Product Description**

- 6.5mm Max.  $\phi$ , 5.0mm Max. Height.
- Inductance range: 1.0  $\mu$  H ~ 1.0mH
- Rated current range: 0.13 ~ 3A
- In addition to the standard versions of inductors shown here, custom inductors are available to meet your exact requirements.


**◆ Feature**

- Magnetically unshielded construction.
- Ideally Used in Printers, LCD TV, DVD, Printer, Copy Machine, Mainboard of the compounding machines, etc as Power Supplies's Inductors or DC-DC Converter inductors.
- RoHS Compliance

**◆ Dimensions (mm)**


**Type: RCH-654**
**◆ Specification**

Part Name	Stamp	Inductance [Within] (μ H) ※1	D.C.R. (m Ω)[Max.] at 20°C	Rated Current (mA)※2
RCH654NP-1R0M	1R0M	1.0±20%	29	3000
RCH654NP-1R5M	1R5M	1.5±20%	34	2850
RCH654NP-2R0M	2R0M	2.0±20%	39	2480
RCH654NP-2R5M	2R5M	2.5±20%	43	2210
RCH654NP-3R3M	3R3M	3.3±20%	48	1980
RCH654NP-3R9M	3R9M	3.9±20%	55	1830
RCH654NP-4R7M	4R7M	4.7±20%	60	1740
RCH654NP-5R6M	5R6M	5.6±20%	66	1530
RCH654NP-6R2M	6R2M	6.2±20%	72	1440
RCH654NP-7R2M	7R2M	7.2±20%	78	1350
RCH654NP-8R2M	8R2M	8.2±20%	85	1260
RCH654NP-100M	100M	10±20%	91	1200
RCH654NP-120M	120M	12±10%	100	1050
RCH654NP-150M	150M	15±10%	120	980
RCH654NP-180M	180M	18±10%	130	930
RCH654NP-220K	220K	22±10%	180	900
RCH654NP-270K	270K	27±10%	210	810
RCH654NP-330K	330K	33±10%	270	740
RCH654NP-390K	390K	39±10%	290	680
RCH654NP-470K	470K	47±10%	340	620
RCH654NP-560K	560K	56±10%	420	570
RCH654NP-680K	680K	68±10%	480	510
RCH654NP-820K	820K	82±10%	550	470
RCH654NP-101K	101K	100±10%	680	420
RCH654NP-121K	121K	120±10%	770	390
RCH654NP-151K	151K	150±10%	950	350
RCH654NP-181K	181K	180±10%	1150	320
RCH654NP-221K	221K	220±10%	1300	290
RCH654NP-271K	271K	270±10%	1550	260
RCH654NP-331K	331K	330±10%	2180	230
RCH654NP-391K	391K	390±10%	2470	210
RCH654NP-471K	471K	470±10%	2920	200
RCH654NP-561K	561K	560±10%	3970	180
RCH654NP-681K	681K	680±10%	4570	160
RCH654NP-821K	821K	820±10%	5280	150
RCH654NP-102K	102K	1000±10%	7060	130

※1: Measuring Frequency

1.0 μ H ~ 8.2 μ H at 7.96MHz

10 μ H ~ 82 μ H at 2.52MHz

100 μ H ~ 1000 μ H at 1 kHz

※2: Rated current: The DC current at which the inductance decreases 90% of it's initial value or when Δt=40°C, whichever is lower(Ta=20°C)