



SANYO Semiconductors

DATA SHEET

LC72131K — CMOS IC **LC72131KM** PLL Frequency Synthesizer

Overview

The LC72131K and LC72131KM are PLL frequency synthesizers for use in tuners in radio/cassette players. They allow high-performance AM/FM tuners to be implemented easily.

Features

- High speed programmable dividers
 - FMIN: 10 to 160MHz pulse swallower (built-in divide-by-two prescaler)
 - AMIN: 2 to 40MHz pulse swallower
 - 0.5 to 10MHz direct division
- IF counter
 - IFIN: 0.4 to 12MHz AM/FM IF counter
- Reference frequencies
 - Twelve selectable frequencies (4.5 or 7.2MHz crystal)
 - 100, 50, 25, 15, 12.5, 6.25, 3.125, 10, 9, 5, 3, 1kHz
- Phase comparator
 - Dead zone control
 - Unlock detection circuit
 - Deadlock clear circuit
 - Built-in MOS transistor for forming an active low-pass filter
- I/O ports
 - Dedicated output ports: 4 • Input or output ports: 2 • Support clock time base output

Continued on next page.

- CCB is a registered trademark of SANYO Semiconductor Co., Ltd.
- CCB is SANYO Semiconductor's original bus format. All bus addresses are managed by SANYO Semiconductor for this format.

- Any and all SANYO Semiconductor Co.,Ltd. products described or contained herein are, with regard to "standard application", intended for the use as general electronics equipment (home appliances, AV equipment, communication device, office equipment, industrial equipment etc.). The products mentioned herein shall not be intended for use for any "special application" (medical equipment whose purpose is to sustain life, aerospace instrument, nuclear control device, burning appliances, transportation machine, traffic signal system, safety equipment etc.) that shall require extremely high level of reliability and can directly threaten human lives in case of failure or malfunction of the product or may cause harm to human bodies, nor shall they grant any guarantee thereof. If you should intend to use our products for applications outside the standard applications of our customer who is considering such use and/or outside the scope of our intended standard applications, please consult with us prior to the intended use. If there is no consultation or inquiry before the intended use, our customer shall be solely responsible for the use.
- Specifications of any and all SANYO Semiconductor Co.,Ltd. products described or contained herein stipulate the performance, characteristics, and functions of the described products in the independent state, and are not guarantees of the performance, characteristics, and functions of the described products as mounted in the customer's products or equipment. To verify symptoms and states that cannot be evaluated in an independent device, the customer should always evaluate and test devices mounted in the customer's products or equipment.

LC72131K, 72131KM

Continued from preceding page.

- Serial data I/O
 - Support CCB format communication with the system controller.
- Operating ranges
 - Supply voltage4.5 to 5.5V • Operating temperature -40 to +85°C
- Packages
 - DIP22S/MFP20

Specifications

Absolute Maximum Ratings at Ta = 25°C, VSS = 0V

Parameter	Symbol	Pins	Conditions	Ratings	Unit
Supply voltage	V _{DD} max	V _{DD}		-0.3 to +7.0	V
Maximum input voltage	V _{IN1} max	CE, CL, DI, AIN		-0.3 to +7.0	V
	V _{IN2} max	XIN, FMIN, AMIN, IFIN		-0.3 to V _{DD} +0.3	V
	V _{IN3} max	$\overline{IO1}$, $\overline{IO2}$		-0.3 to +15	V
Maximum output voltage	V _{O1} max	DO		-0.3 to +7.0	V
	V _{O2} max	XOUT, PD		-0.3 to V _{DD} +0.3	V
	V _{O3} max	$\overline{BO1}$ to $\overline{BO4}$, $\overline{IO1}$, $\overline{IO2}$, AOUT		-0.3 to +15	V
Maximum output current	I _{O1} max	$\overline{BO1}$		0 to 3.0	mA
	I _{O2} max	DO, AOUT		0 to 6.0	mA
	I _{O3} max	$\overline{BO2}$ to $\overline{BO4}$, $\overline{IO1}$, $\overline{IO2}$		0 to 10	mA
Allowable power dissipation	Pd max		Ta≤85°C [LC72131K]	350	mW
			Ta≤85°C [LC72131KM]	180	mW
Operating temperature	Topr			-40 to +85	°C
Storage temperature	Tstg			-55 to +125	°C

Note 1: Power pins V_{DD} and V_{SS}: Insert a capacitor with a capacitance of 2,000pF or higher between these pins when using the IC.

LC72131K, 72131KM

Allowable Operating Ranges at $T_a = -40^{\circ}\text{C}$ to $+85^{\circ}\text{C}$, $V_{SS} = 0\text{V}$

Parameter	Symbol	Pins	Conditions	Ratings			unit
				min	typ	max	
Supply voltage	V_{DD}	V_{DD}		4.5		5.5	V
Input high-level voltage	V_{IH1}	CE, CL, DI		$0.7V_{DD}$		6.5	V
	V_{IH2}	$\overline{IO1}$, $\overline{IO2}$		$0.7V_{DD}$		13	V
Input low-level voltage	V_{IL}	CE, CL, DI, $\overline{IO1}$, $\overline{IO2}$		0		$0.3V_{DD}$	V
Output voltage	V_{O1}	DO		0		6.5	V
	V_{O2}	$\overline{BO1}$ to $\overline{BO4}$, $\overline{IO1}$, $\overline{IO2}$, AOUT		0		13	V
Input frequency	f _{IN1}	XIN	V_{IN1}	1.0		8.0	MHz
	f _{IN2}	FMIN	V_{IN2}	10		160	MHz
	f _{IN3}	AMIN	V_{IN3}	2.0		40	MHz
	f _{IN4}	AMIN	V_{IN4}	0.5		10	MHz
	f _{IN5}	IFIN	V_{IN5}	0.4		12	MHz
Supported crystals	X'tal	XIN, XOUT	Note 1	4.0		8.0	MHz
Input amplitude	V_{IN1}	XIN	f _{IN1}	400		1500	mVrms
High-level clock pulse width t _{pH} CL [Figure 1][Figure 2] 160 ns Low-level clock pulse width	V_{IN2-1}	FMIN	f=10 to 130MHz	40		1500	mVrms
	V_{IN2-2}	FMIN	f=130 to 160MHz	70		1500	mVrms
	V_{IN3}	AMIN	f _{IN3}	40		1500	mVrms
	V_{IN4}	AMIN	f _{IN4}	40		1500	mVrms
	V_{IN5}	IFIN	f _{IN5} (IFS=1)	40		1500	mVrms
	V_{IN6}	IFIN	f _{IN5} (IFS=0)	70		1500	mVrms
Data setup time	t _{SU}	DI, CL	Note 2	0.75			μs
Data hold time	t _{HD}	DI, CL	Note 2	0.75			μs
Clock low-level time	t _{CL}	CL	Note 2	0.75			μs
Clock high-level time	t _{CH}	CL	Note 2	0.75			μs
CE wait time	t _{EL}	CE, CL	Note 2	0.75			μs
CE setup time	t _{ES}	CE, CL	Note 2	0.75			μs
CE hold time	t _{EH}	CE, CL	Note 2	0.75			μs
Data latch change time	t _{LC}		Note 2			0.75	μs
Data output time	t _{DC}	DO, CL	Differs depending on the value of the pull-up resistor. Note 2			0.35	μs
	t _{DH}	DO, CE					

Note 1: Recommended crystal oscillator CI values:

$CI \leq 120\Omega$ (For a 4.5MHz crystal)

$CI \leq 70\Omega$ (For a 7.2MHz crystal)

The characteristics of the oscillation circuit depends on the printed circuit board, circuit constants, and other factors. Therefore we recommend consulting with the manufacturer of the crystal for evaluation and reliability.

Note 2: Refer to "Serial Data Timing".

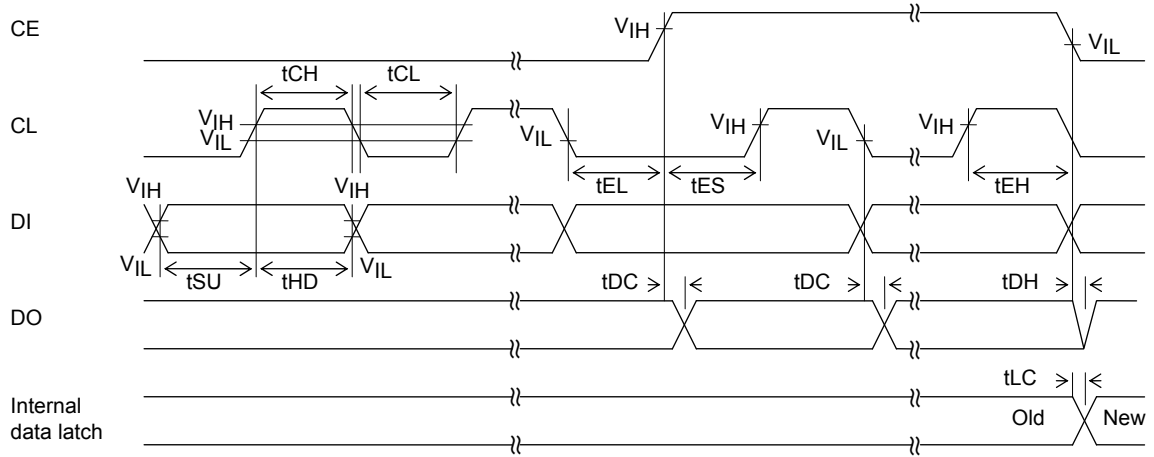
LC72131K, 72131KM

Electrical Characteristics in the Allowable Operating Ranges

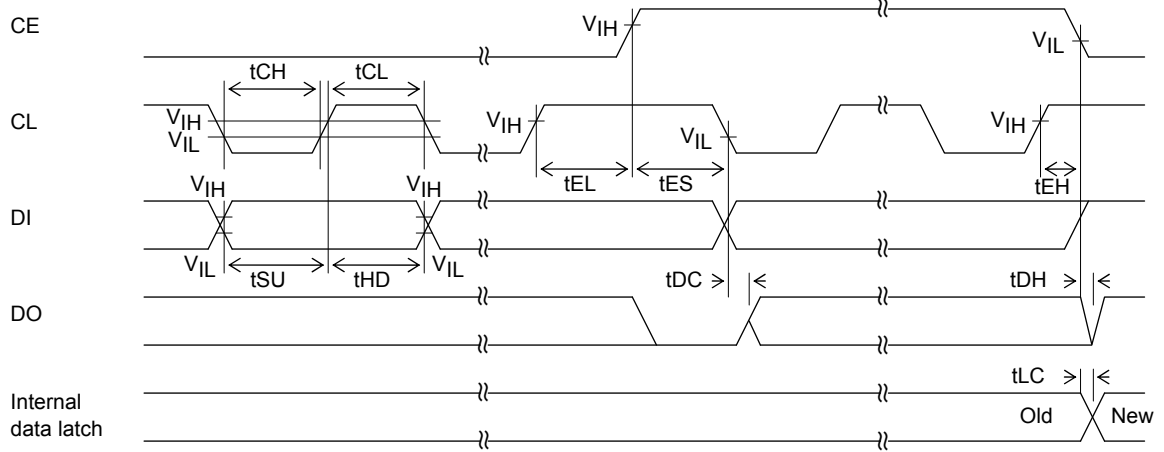
Parameter	Symbol	Pins	Conditions	Ratings			unit
				min	typ	max	
Built-in feedback resistance	Rf1	XIN			1.0		MΩ
	Rf2	FMIN			500		kΩ
	Rf3	AMIN			500		kΩ
	Rf4	IFIN			250		kΩ
Built-in pull-down resistor	Rpd1	FMIN			200		kΩ
	Rpd2	AMIN			200		kΩ
Hysteresis	VHYS	CE, CL, DI, $\overline{IO1}$, $\overline{IO2}$			0.1V _{DD}		V
Output high-level voltage	V _{OH}	PD	I _O =1mA	V _{DD} -0.1			V
Output low-level voltage	V _{OL1}	PD	I _O =1mA			1.0	V
		$\overline{BO1}$	I _O =0.5mA			0.5	V
	V _{OL3}	DO	I _O =1mA			1.0	V
			I _O =5mA			1.0	V
	V _{OL4}	$\overline{BO2}$ to $\overline{BO4}$, $\overline{IO1}$, $\overline{IO2}$	I _O =1mA			0.2	V
			I _O =5mA			1.0	V
			I _O =8mA			1.6	V
V _{OL5}	AOUT	I _O =1mA AIN=1.3V			0.5	V	
Input high-level current	I _{IH1}	CE, CL, DI	V _I =6.5V			5.0	μA
	I _{IH2}	$\overline{IO1}$, $\overline{IO2}$	V _I =13V			5.0	μA
	I _{IH3}	XIN	V _I =V _{DD}	2.0		11	μA
	I _{IH4}	FMIN, AMIN	V _I =V _{DD}	4.0		22	μA
	I _{IH5}	IFIN	V _I =V _{DD}	8.0		44	μA
	I _{IH6}	AIN	V _I =6.5V			200	nA
Input low-level current	I _{IL1}	CE, CL, DI	V _I =0V			5.0	μA
	I _{IL2}	$\overline{IO1}$, $\overline{IO2}$	V _I =0V			5.0	μA
	I _{IL3}	XIN	V _I =0V	2.0		11	μA
	I _{IL4}	FMIN, AMIN	V _I =0V	4.0		22	μA
	I _{IL5}	IFIN	V _I =0V	8.0		44	μA
	I _{IL6}	AIN	V _I =0V			200	nA
Output off leakage current	IOFF1	$\overline{BO1}$ to $\overline{BO4}$, AOUT, $\overline{IO1}$, $\overline{IO2}$	V _O =13V			5.0	μA
	IOFF2	DO	V _O =6.5V			5.0	μA
High-level three-state off leakage current	IOFFH	PD	V _O =V _{DD}		0.01	200	nA
Low-level three-state off leakage current	IOFFL	PD	V _O =0V		0.01	200	nA
Input capacitance	CIN	FMIN			6		pF
Current drain	I _{DD1}	V _{DD}	X'tal=7.2MHz f _{IN2} =130MHz V _{IN2} =40mVrms		5	10	mA
	I _{DD2}	V _{DD}	PLL block stopped (PLL INHIBIT) X'tal oscillator operating (X'tal=7.2MHz)		0.5		mA
	I _{DD3}	V _{DD}	PLL block stopped X'tal oscillator operating			10	μA

LC72131K, 72131KM

Serial Data Timing



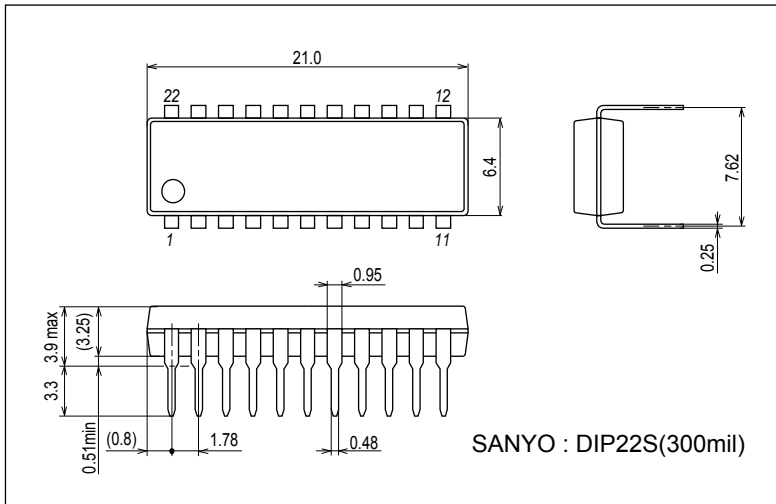
When stopped with CL low



When stopped with CL high

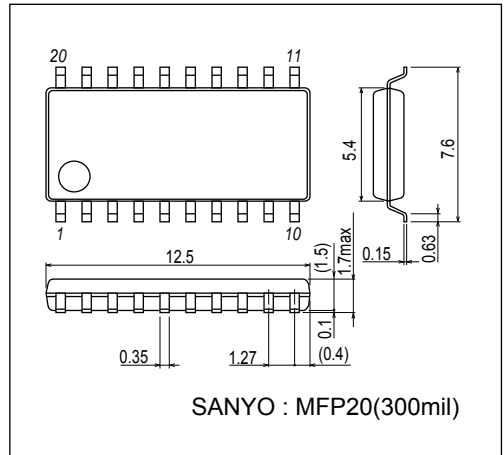
Package Dimensions

unit : mm (typ)
3059A [LC72131K]



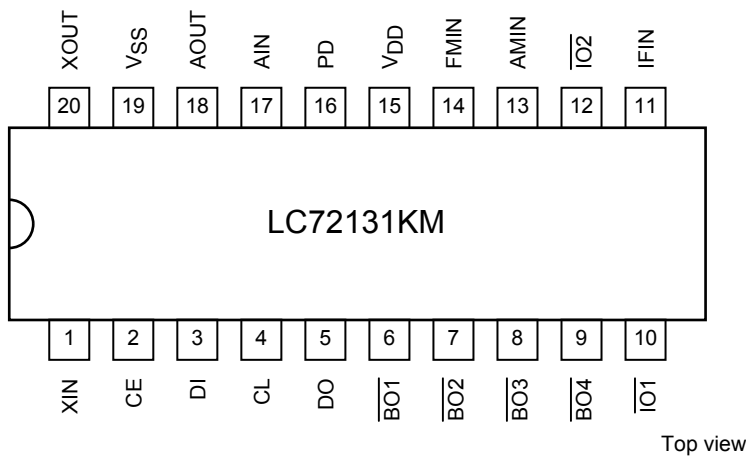
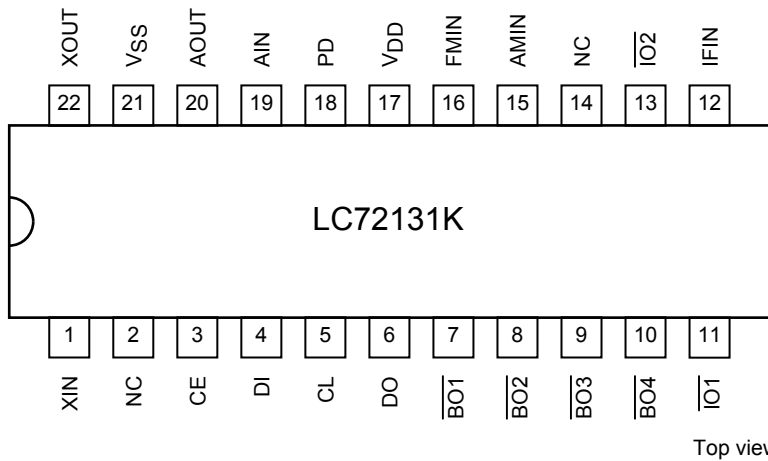
Package Dimensions

unit : mm (typ)
3036C [LC72131KM]

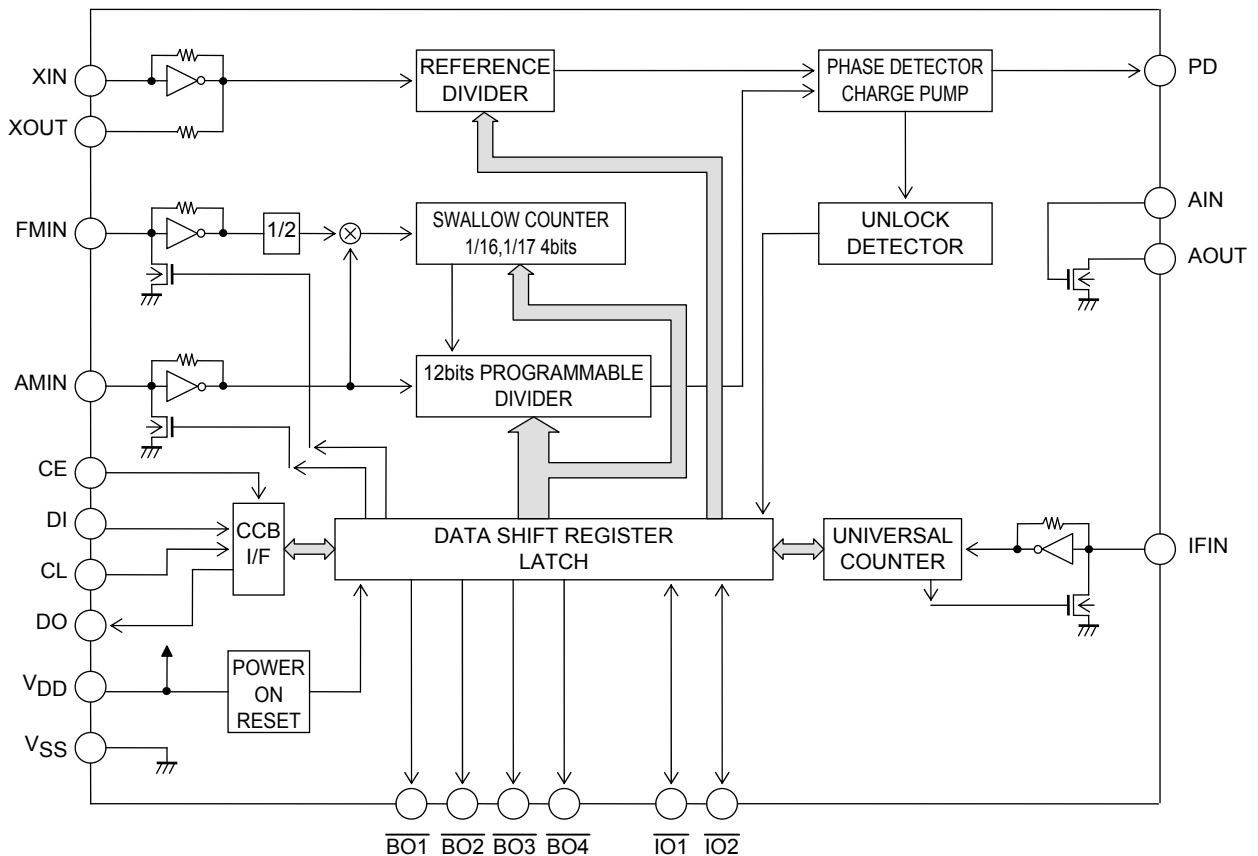


LC72131K, 72131KM

Pin Assignments

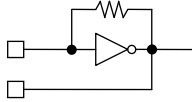
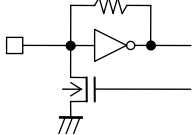
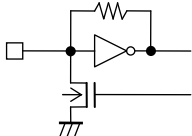
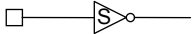
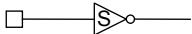
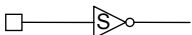
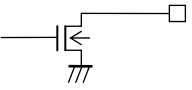
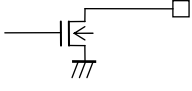
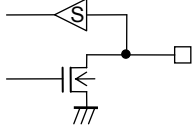


Block Diagram



LC72131K, 72131KM

Pin Functions

Symbol	Pin No.		Type	Functions	Circuit configuration
	LC72131K	LC72131KM			
XIN XOUT	1 22	1 20	X'tal OSC	Crystal resonator connection (4.5MHz/7.2MHz)	
FMIN	16	14	Local oscillator signal input	FMIN is selected when the serial data input DVS bit is set to 1. The input frequency range is from 10 to 160MHz. The input signal passes through the internal divide-by-two prescaler and is input to the swallow counter. The divisor can be in the range 272 to 65535. However, since the signal has passed through the divide-by-two prescaler, the actual divisor is twice the set value.	
AMIN	15	13	Local oscillator signal input	AMIN is selected when the serial data input DVS bit is set to 0. When the serial data input SNS bit is set to 1: <ul style="list-style-type: none"> The input frequency range is 2 to 40MHz. The signal is directly input to the swallow counter. The divisor can be in the range 272 to 65535, and the divisor used will be the value set. When the serial data input SNS bit is set to 0: <ul style="list-style-type: none"> The input frequency range is 0.5 to 10MHz. The signal is directly input to a 12-bit programmable divider. The divisor can be in the range 4 to 4095, and the divisor used will be the value set. 	
CE	3	2	Chip enable	Set this pin high when inputting (DI) or outputting (DO) serial data.	
DI	4	3	Input data	Inputs serial data transferred from the controller to the LC72131.	
CL	5	4	Clock	Used as the synchronization clock when inputting (DI) or outputting (DO) serial data.	
DO	6	5	Output data	Outputs serial data transferred from the LC72131 to the controller. The content of the output data is determined by the serial data DOC0 to DOC2.	
V _{DD}	17	15	Power supply	The LC72131 power supply pin (V _{DD} =4.5 to 5.5V) The power on reset circuit operates when power is first applied.	-
V _{SS}	21	19	Ground	The LC72131 ground	-
$\overline{BO1}$ $\overline{BO2}$ $\overline{BO3}$ $\overline{BO4}$	7 8 9 10	6 7 8 9	Output port	Dedicated output pins The output states are determined by $\overline{BO1}$ to $\overline{BO4}$ bits in the serial data. Data: 0=open, 1=low A time base signal (8Hz) can be output from the $\overline{BO1}$ pin. (When the serial data TBC bit is set to 1.) Care is required when using the $\overline{BO1}$ pin, since it has a higher on impedance than the other output ports (pins $\overline{BO2}$ to $\overline{BO4}$).	
$\overline{IO1}$ $\overline{IO2}$	11 13	10 12	I/O port	I/O dual-use pins The direction (input or output) is determined by bits IOC1 and IOC2 in the serial data. Data: 0=input port, 1=output port When specified for use as input ports: The state of the input pin is transmitted to the controller over the DO pin. Input state: low=0 data value high=1 data value When specified for use as output ports: The output states are determined by the IO1 and IO2 bits in the serial data. Data: 0=open, 1=low These pins function as input pins following a power on reset.	

Continued on next page.

LC72131K, 72131KM

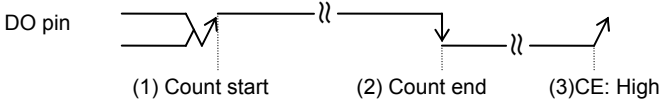
Control Data Functions

No.	Control block/data	Functions	Related data																																																																																					
(1)	Programmable divider data P0 to P15 DVS, SNS	Data that sets the divisor of the programmable divider. A binary value in which P15 is the MSB. The LSB changes depending on DVS and SNS. (*: don't care) <table border="1" style="width: 100%; border-collapse: collapse; margin-bottom: 5px;"> <thead> <tr> <th>DVS</th> <th>SNS</th> <th>LSB</th> <th>Divisor setting (N)</th> <th>Actual divisor</th> </tr> </thead> <tbody> <tr> <td>1</td> <td>*</td> <td>P0</td> <td>272 to 65535</td> <td>Twice the value of the setting</td> </tr> <tr> <td>0</td> <td>1</td> <td>P0</td> <td>272 to 65535</td> <td>The value of the setting</td> </tr> <tr> <td>0</td> <td>0</td> <td>P4</td> <td>4 to 4095</td> <td>The value of the setting</td> </tr> </tbody> </table> Note: P0 to P3 are ignored when P4 is the LSB. Selects the signal input pin (AMIN or FMIN) for the programmable divider, switches the input frequency range. (*: don't care) <table border="1" style="width: 100%; border-collapse: collapse; margin-bottom: 5px;"> <thead> <tr> <th>DVS</th> <th>SNS</th> <th>Input pin</th> <th>Input frequency range</th> </tr> </thead> <tbody> <tr> <td>1</td> <td>*</td> <td>FMIN</td> <td>10 to 160MHz</td> </tr> <tr> <td>0</td> <td>1</td> <td>AMIN</td> <td>2 to 40MHz</td> </tr> <tr> <td>0</td> <td>0</td> <td>AMIN</td> <td>0.5 to 10MHz</td> </tr> </tbody> </table> Note: See the "Programmable Divider Structure" item for more information.	DVS	SNS	LSB	Divisor setting (N)	Actual divisor	1	*	P0	272 to 65535	Twice the value of the setting	0	1	P0	272 to 65535	The value of the setting	0	0	P4	4 to 4095	The value of the setting	DVS	SNS	Input pin	Input frequency range	1	*	FMIN	10 to 160MHz	0	1	AMIN	2 to 40MHz	0	0	AMIN	0.5 to 10MHz																																																		
DVS	SNS	LSB	Divisor setting (N)	Actual divisor																																																																																				
1	*	P0	272 to 65535	Twice the value of the setting																																																																																				
0	1	P0	272 to 65535	The value of the setting																																																																																				
0	0	P4	4 to 4095	The value of the setting																																																																																				
DVS	SNS	Input pin	Input frequency range																																																																																					
1	*	FMIN	10 to 160MHz																																																																																					
0	1	AMIN	2 to 40MHz																																																																																					
0	0	AMIN	0.5 to 10MHz																																																																																					
(2)	Reference divider data R0 to R3 XS	Reference frequency (fref) selection data. <table border="1" style="width: 100%; border-collapse: collapse; margin-bottom: 5px;"> <thead> <tr> <th>R3</th> <th>R2</th> <th>R1</th> <th>R0</th> <th>Reference frequency</th> </tr> </thead> <tbody> <tr><td>0</td><td>0</td><td>0</td><td>0</td><td>100kHz</td></tr> <tr><td>0</td><td>0</td><td>0</td><td>1</td><td>50</td></tr> <tr><td>0</td><td>0</td><td>1</td><td>0</td><td>25</td></tr> <tr><td>0</td><td>0</td><td>1</td><td>1</td><td>25</td></tr> <tr><td>0</td><td>1</td><td>0</td><td>0</td><td>12.5</td></tr> <tr><td>0</td><td>1</td><td>0</td><td>1</td><td>6.25</td></tr> <tr><td>0</td><td>1</td><td>1</td><td>0</td><td>3.125</td></tr> <tr><td>0</td><td>1</td><td>1</td><td>1</td><td>3.125</td></tr> <tr><td>1</td><td>0</td><td>0</td><td>0</td><td>10</td></tr> <tr><td>1</td><td>0</td><td>0</td><td>1</td><td>9</td></tr> <tr><td>1</td><td>0</td><td>1</td><td>0</td><td>5</td></tr> <tr><td>1</td><td>0</td><td>1</td><td>1</td><td>1</td></tr> <tr><td>1</td><td>1</td><td>0</td><td>0</td><td>3</td></tr> <tr><td>1</td><td>1</td><td>0</td><td>1</td><td>15</td></tr> <tr><td>1</td><td>1</td><td>1</td><td>0</td><td>* PLL INHIBIT + X'tal OSC STOP</td></tr> <tr><td>1</td><td>1</td><td>1</td><td>1</td><td>* PLL INHIBIT</td></tr> </tbody> </table> Note *: PLL INHIBIT The programmable divider block and the IF counter block are stopped, the FMIN, AMIN, and IFIN pins are set to the pull-down state (ground), and the charge pump goes to the high impedance state. Crystal resonator selection XS=0: 4.5MHz XS=1: 7.2MHz The 7.2MHz frequency is selected after the power-on reset.	R3	R2	R1	R0	Reference frequency	0	0	0	0	100kHz	0	0	0	1	50	0	0	1	0	25	0	0	1	1	25	0	1	0	0	12.5	0	1	0	1	6.25	0	1	1	0	3.125	0	1	1	1	3.125	1	0	0	0	10	1	0	0	1	9	1	0	1	0	5	1	0	1	1	1	1	1	0	0	3	1	1	0	1	15	1	1	1	0	* PLL INHIBIT + X'tal OSC STOP	1	1	1	1	* PLL INHIBIT	
R3	R2	R1	R0	Reference frequency																																																																																				
0	0	0	0	100kHz																																																																																				
0	0	0	1	50																																																																																				
0	0	1	0	25																																																																																				
0	0	1	1	25																																																																																				
0	1	0	0	12.5																																																																																				
0	1	0	1	6.25																																																																																				
0	1	1	0	3.125																																																																																				
0	1	1	1	3.125																																																																																				
1	0	0	0	10																																																																																				
1	0	0	1	9																																																																																				
1	0	1	0	5																																																																																				
1	0	1	1	1																																																																																				
1	1	0	0	3																																																																																				
1	1	0	1	15																																																																																				
1	1	1	0	* PLL INHIBIT + X'tal OSC STOP																																																																																				
1	1	1	1	* PLL INHIBIT																																																																																				
(3)	IF counter control data CTE GT0, GT1	IF counter measurement start data CTE=1: Counter start =0: Counter reset Determines the IF counter measurement period. <table border="1" style="width: 100%; border-collapse: collapse; margin-bottom: 5px;"> <thead> <tr> <th>GT1</th> <th>GT0</th> <th>Measurement time (ms)</th> <th>Wait time (ms)</th> </tr> </thead> <tbody> <tr> <td>0</td> <td>0</td> <td>4</td> <td>3 to 4</td> </tr> <tr> <td>0</td> <td>1</td> <td>8</td> <td>3 to 4</td> </tr> <tr> <td>1</td> <td>0</td> <td>32</td> <td>7 to 8</td> </tr> <tr> <td>1</td> <td>1</td> <td>64</td> <td>7 to 8</td> </tr> </tbody> </table> Note: See the "IF Counter Structure" item for more information.	GT1	GT0	Measurement time (ms)	Wait time (ms)	0	0	4	3 to 4	0	1	8	3 to 4	1	0	32	7 to 8	1	1	64	7 to 8	IFS																																																																	
GT1	GT0	Measurement time (ms)	Wait time (ms)																																																																																					
0	0	4	3 to 4																																																																																					
0	1	8	3 to 4																																																																																					
1	0	32	7 to 8																																																																																					
1	1	64	7 to 8																																																																																					

Continued on next page.

LC72131K, 72131KM

Continued from preceding page.

No.	Control block/data	Functions	Related data																																				
(4)	I/O port specification data IOC1, IOC2	Specifies the I/O direction for the bidirectional pins $\overline{IO1}$ and $\overline{IO2}$. Data: 0=input mode, 1=output mode																																					
(5)	Output port data BO1 to BO4 IO1, IO2	Data that determines the output from the $\overline{BO1}$ to $\overline{BO4}$, $\overline{IO1}$ and $\overline{IO2}$ output ports Data: 0=open, 1=low The data=0 (open) state is selected after the power-on reset.	IOC1 IOC2																																				
(6)	DO pin control data DOC0 DOC1 DOC2	<p>Data that determines the DO pin output</p> <table border="1" style="width: 100%; border-collapse: collapse; margin-bottom: 10px;"> <thead> <tr> <th>DOC2</th> <th>DOC1</th> <th>DOC0</th> <th>Do pin state</th> </tr> </thead> <tbody> <tr> <td>0</td> <td>0</td> <td>0</td> <td>Open</td> </tr> <tr> <td>0</td> <td>0</td> <td>1</td> <td>Low when the unlock state is detected</td> </tr> <tr> <td>0</td> <td>1</td> <td>0</td> <td>end-UC *1</td> </tr> <tr> <td>0</td> <td>1</td> <td>1</td> <td>Open</td> </tr> <tr> <td>1</td> <td>0</td> <td>0</td> <td>Open</td> </tr> <tr> <td>1</td> <td>0</td> <td>1</td> <td>The $\overline{IO1}$ pin state *2</td> </tr> <tr> <td>1</td> <td>1</td> <td>0</td> <td>The $\overline{IO2}$ pin state *2</td> </tr> <tr> <td>1</td> <td>1</td> <td>1</td> <td>Open</td> </tr> </tbody> </table> <p>The open state is selected after the power-on reset. Note: 1. end-UC: Check for IF counter measurement completion</p> <div style="margin-bottom: 10px;"> <p>DO pin </p> <p>(1) Count start (2) Count end (3)CE: High</p> </div> <p>(1) When end-UC is set and the IF counter is started (i.e., when CTE is changed from zero to one), the DO pin automatically goes to the open state. (2) When the IF counter measurement completes, the DO pin goes low to indicate the measurement completion state. (3) Depending on serial data I/O (CE: high) the DO pin goes to the open state.</p> <p>Note: 2. Goes to the open state if the I/O pin is specified to be an output port. Caution: The state of the DO pin during a data input period (an IN1 or IN2 mode period with CE high) will be open, regardless of the state of the DO control data (DOC0 to DOC2). Also, the DO pin during a data output period (an OUT mode period with CE high) will output the contents of the internal DO serial data in synchronization with the CL pin signal, regardless of the state of the DO control data (DOC0 to DOC2).</p>	DOC2	DOC1	DOC0	Do pin state	0	0	0	Open	0	0	1	Low when the unlock state is detected	0	1	0	end-UC *1	0	1	1	Open	1	0	0	Open	1	0	1	The $\overline{IO1}$ pin state *2	1	1	0	The $\overline{IO2}$ pin state *2	1	1	1	Open	UL0, UL1 CTE IOC1 IOC2
DOC2	DOC1	DOC0	Do pin state																																				
0	0	0	Open																																				
0	0	1	Low when the unlock state is detected																																				
0	1	0	end-UC *1																																				
0	1	1	Open																																				
1	0	0	Open																																				
1	0	1	The $\overline{IO1}$ pin state *2																																				
1	1	0	The $\overline{IO2}$ pin state *2																																				
1	1	1	Open																																				
(7)	Unlock detection data UL0, UL1	<p>Selects the phase error (ϕE) detection width for checking PLL lock. A phase error in excess of the specified detection width is seen as an unlocked state.</p> <table border="1" style="width: 100%; border-collapse: collapse; margin-bottom: 10px;"> <thead> <tr> <th>UL1</th> <th>UL0</th> <th>ϕE detection width</th> <th>Detector output</th> </tr> </thead> <tbody> <tr> <td>0</td> <td>0</td> <td>stopped</td> <td>Open</td> </tr> <tr> <td>0</td> <td>1</td> <td>0</td> <td>ϕE is output directly</td> </tr> <tr> <td>1</td> <td>0</td> <td>$\pm 0.55\mu s$</td> <td>ϕE is extended by 1 to 2ms</td> </tr> <tr> <td>1</td> <td>1</td> <td>± 1.11</td> <td>↑</td> </tr> </tbody> </table> <p>Note: In the unlocked state the DO pin goes low and the UL bit in the serial data becomes zero.</p>	UL1	UL0	ϕE detection width	Detector output	0	0	stopped	Open	0	1	0	ϕE is output directly	1	0	$\pm 0.55\mu s$	ϕE is extended by 1 to 2ms	1	1	± 1.11	↑	DOC0 DOC1 DOC2																
UL1	UL0	ϕE detection width	Detector output																																				
0	0	stopped	Open																																				
0	1	0	ϕE is output directly																																				
1	0	$\pm 0.55\mu s$	ϕE is extended by 1 to 2ms																																				
1	1	± 1.11	↑																																				

Continued on next page.

LC72131K, 72131KM

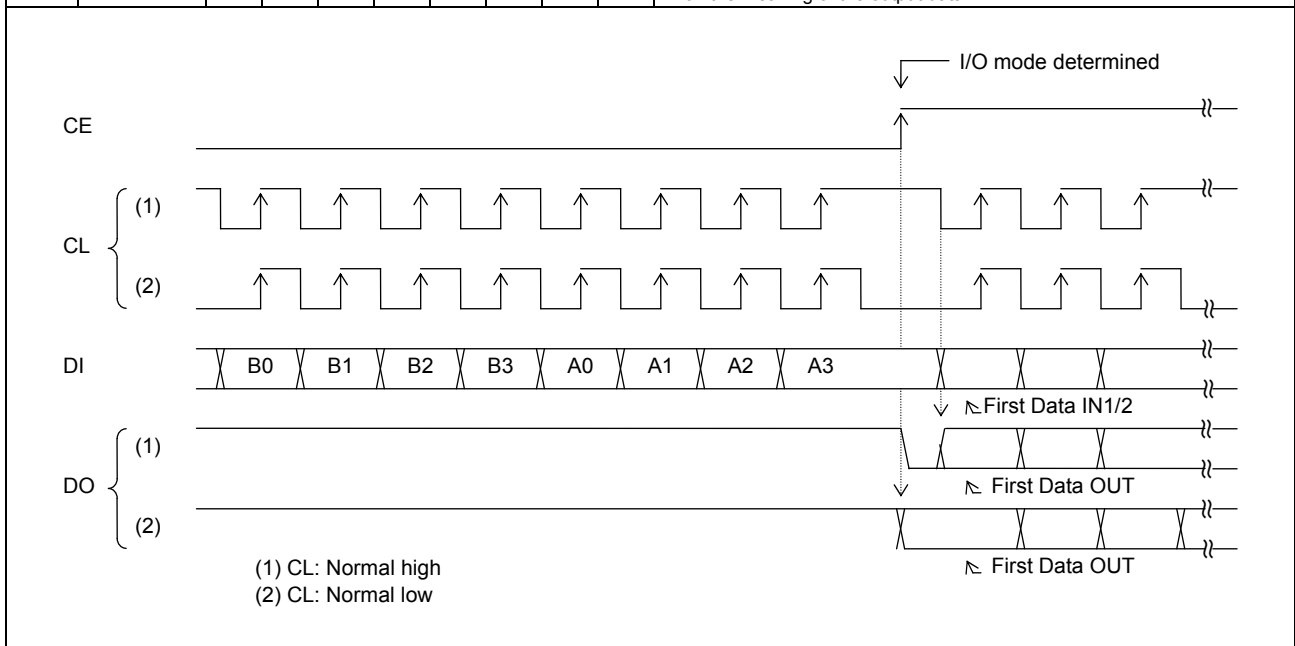
Control Data Functions

No.	Control block/data	Functions	Related data
(1)	I/O port data I2, I1	Latched from the pin states of the $\overline{IO1}$ and $\overline{IO2}$ I/O ports. These values follow the pin states regardless of the input or output setting. $I1 \leftarrow \overline{IO1}$ pin state } High: 1 $I2 \leftarrow \overline{IO2}$ pin state } Low: 0	IOC1 IOC2
(2)	PLL unlock data UL	Latched from the state of the unlock detection circuit. UL \leftarrow 0: Unlocked UL \leftarrow 1: Locked or detection stopped mode	UL0 UL1
(3)	IF counter binary counter C19 to C0	Latched from the value of the IF counter (20-bit binary counter). C19 \leftarrow MSB of the binary counter C0 \leftarrow LSB of the binary counter	CTE GT0 GT1

Serial Data I/O Methods

The LC72131 inputs and outputs data using the SANYO CCB (computer control bus) audio LSI serial bus format. This LSI adopts an 8-bit address format CCB.

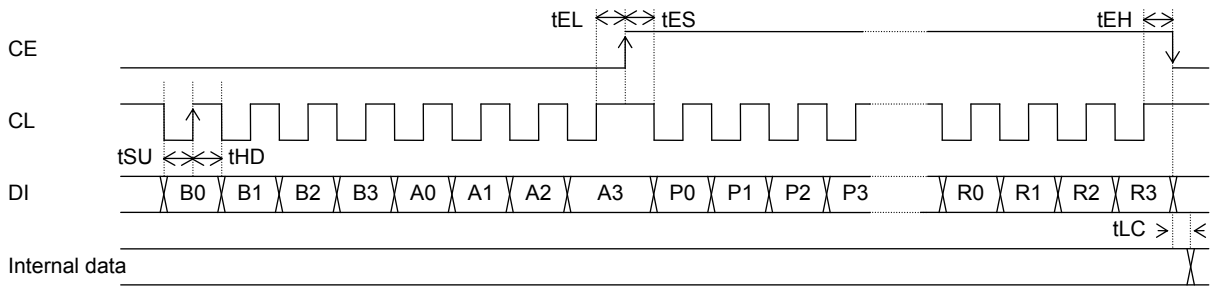
	I/O mode	Address								Function
		B0	B1	B2	B3	A0	A1	A2	A3	
[1]	IN1 (82)	0	0	0	1	0	1	0	0	<ul style="list-style-type: none"> Control data input mode (serial data input) 24 data bits are input. See the "DI Control Data (serial data input) Structure" item for details on the meaning of the input data.
[2]	IN2 (92)	1	0	0	1	0	1	0	0	<ul style="list-style-type: none"> Control data input mode (serial data input) 24 data bits are input. See the "DI Control Data (serial data input) Structure" item for details on the meaning of the input data.
[3]	OUT (A2)	0	1	0	1	0	1	0	0	<ul style="list-style-type: none"> Data output mode (serial data output) The number of bits output is equal to the number of clock cycles. See the "DO Control Data (serial data output) Structure" item for details on the meaning of the output data.



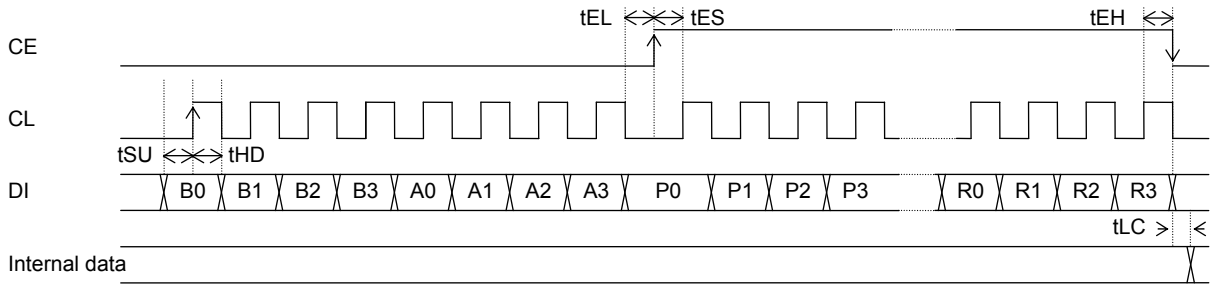
LC72131K, 72131KM

1. Serial Data Input (IN1/IN2) t_{SU} , t_{HD} , t_{ES} , $t_{EH} \geq 0.75\mu s$ $t_{LC} < 0.75\mu s$

(1) CL: Normal high

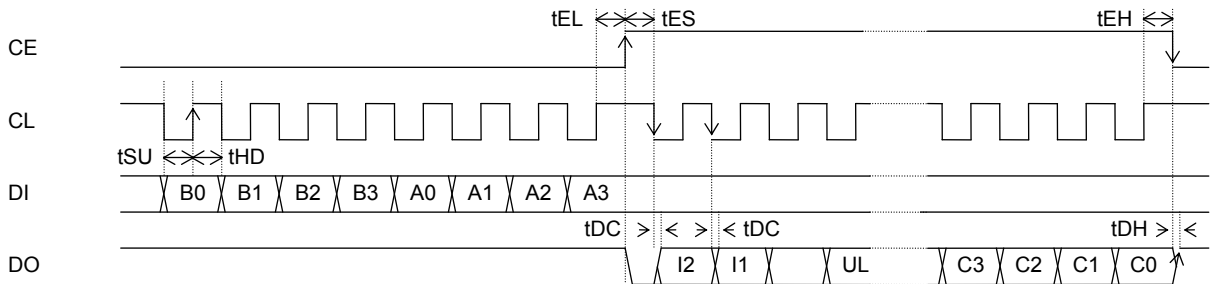


(2) CL: Normal low

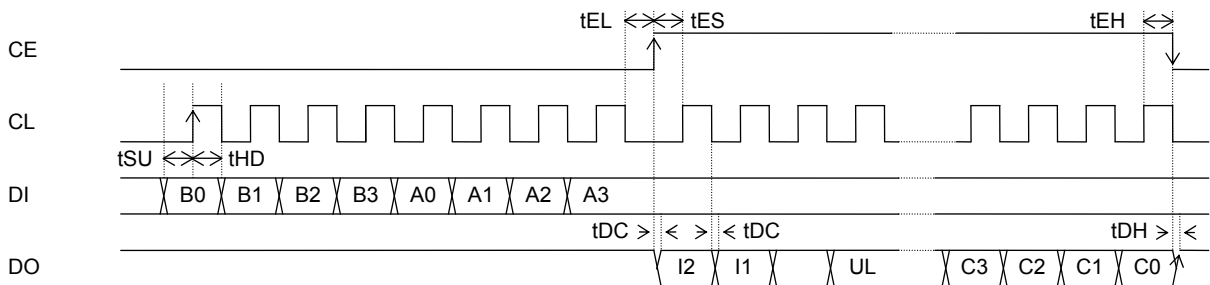


2. Serial Data Output (OUT) t_{SU} , t_{HD} , t_{EL} , t_{ES} , $t_{EH} \geq 0.75\mu s$ t_{DC} , $t_{DH} < 0.35\mu s$

(1) CL: Normal high



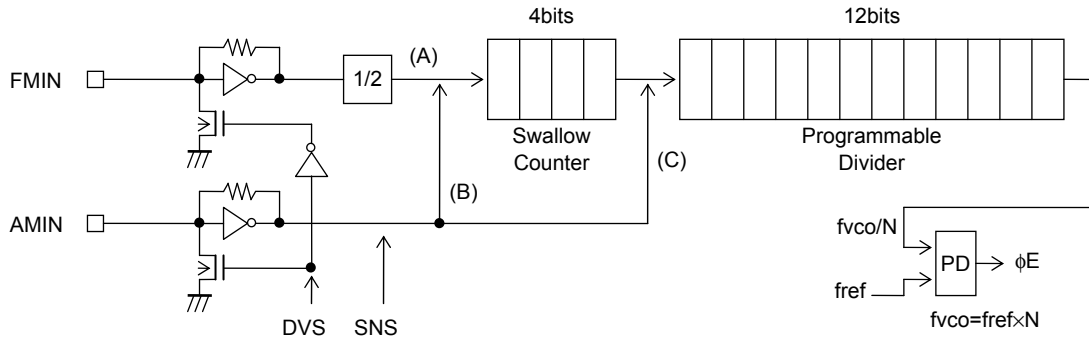
(2) CL: Normal low



Note: Since the DO pin is an N-channel open-drain pin, the time for the data to change (t_{DC} and t_{DH}) will differ depending on the value of the pull-up resistor and printed circuit board capacitance.

LC72131K, 72131KM

Programmable Divider Structure



	DVS	SNS	Input pin	Set divisor	Actual divisor: N	Input frequency range
(A)	1	*	FMIN	272 to 65535	Twice the set value	10 to 160MHz
(B)	1	1	AMIN	272 to 65535	The set value	2 to 40MHz
(C)	0	0	AMIN	4 to 4095	The set value	0.5 to 10MHz

*: Don't care

Programmable Divider Calculation Examples

(1) FM, 50kHz steps (DVS=1, SNS=*: FMIN selected)

FM RF=90.0MHz (IF=+10.7MHz)

FM VCO=100.7MHz

PLL fref=25kHz (R0 to R1=1, R2 to R3=0)

100.7MHz (FMVCO) ÷ 25kHz (fref) ÷ 2 (FMIN: divide-by-two prescaler) = 2014 → 07DE (HEX)

E				D				7				0				*	1			1	1	0	0
0	1	1	1	1	0	1	1	1	1	1	0	0	0	0	0								
P0	P1	P2	P3	P4	P5	P6	P7	P8	P9	P10	P11	P12	P13	P14	P15	SNS	DVS	CTE	XS	R0	R1	R2	R3

(2) SW 5kHz steps (DVS=0, SNS=1: AMIN high-speed side selected)

SW RF=21.75MHz (IF=+450kHz)

SW VCO=22.20MHz

PLL fref=5kHz (R0=R2=0, R1=R3=1)

22.2MHz (SW VCO) ÷ 5kHz (fref) = 4440 → 1158 (HEX)

8				5				1				1								0	1	0	1
0	0	0	1	1	0	1	0	1	0	0	0	1	0	0	0								
P0	P1	P2	P3	P4	P5	P6	P7	P8	P9	P10	P11	P12	P13	P14	P15	SNS	DVS	CTE	XS	R0	R1	R2	R3

(3) MW 10kHz steps (DVS=0, SNS=0: AMIN low-speed side selected)

MW RF=1000kHz (IF=+450kHz)

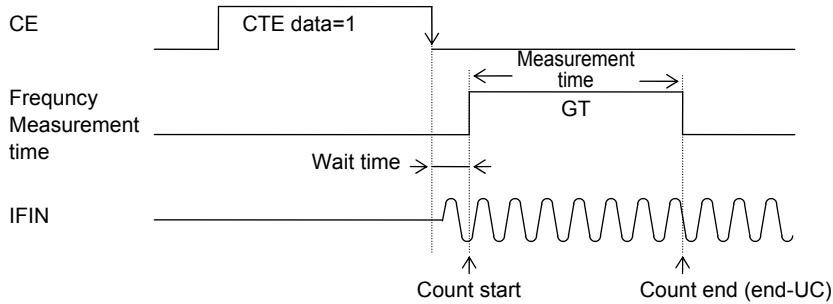
MW VCO=1450kHz

PLL fref=10kHz (R0 to R2=0, R3=1)

1450kHz (MW VCO) ÷ 10kHz (fref) = 145 → 091 (HEX)

	1				9				0								0	0	0	0	1		
*	*	*	*	1	0	0	0	1	0	0	1	0	0	0	0								
P0	P1	P2	P3	P4	P5	P6	P7	P8	P9	P10	P11	P12	P13	P14	P15	SNS	DVS	CTE	XS	R0	R1	R2	R3

IF Counter Operation



Before starting the IF count, the IF counter must be reset in advance by setting CTE in the serial data to 0. The IF count is started by changing the CTE bit in the serial data from 0 to 1. The serial data is latched by the LC72131 when the CE pin is dropped from high to low. The IF signal must be supplied to the IFIN pin in the period between the point the CE pin goes low and the end of the wait time at the latest. Next, the value of the IF counter at the end of the measurement period must be read out during the period that CTE is 1. This is because the IF counter is reset when CTE is set to 0.

Note: When operating the IF counter, the control microprocessor must first check the state of the IF-IC SD (station detect) signal and only after determining that the SD signal is present turn on IF buffer output and execute an IF count operation. Autosearch techniques that use only the IF counter are not recommended, since it is possible for IF buffer leakage output to cause incorrect stops at points where there is no station.

IFIN minimum input sensitivity standard			f [MHz]
IFS	$0.4 \leq f < 0.5$	$0.5 \leq f < 8$	$8 \leq f \leq 12$
1: Normal mode	40mVrms (0.1 to 3mVrms)	40mVrms	40mVrms (1 to 10mVrms)
0: Degradation mode	70mVrms (10 to 15mVrms)	70mVrms	70mVrms (30 to 40mVrms)

Note: Values in parentheses are actual performance values presented as reference data.

Unlock Detection Timing

Unlock Detection Determination Timing

Unlocked state detection is performed in the reference frequency (f_{ref}) period (interval). Therefore, in principle, unlock determination requires a time longer than the period of the reference frequency. However, immediately after changing the divisor N (frequency) unlock detection must be performed after waiting at least two periods of the reference frequency.

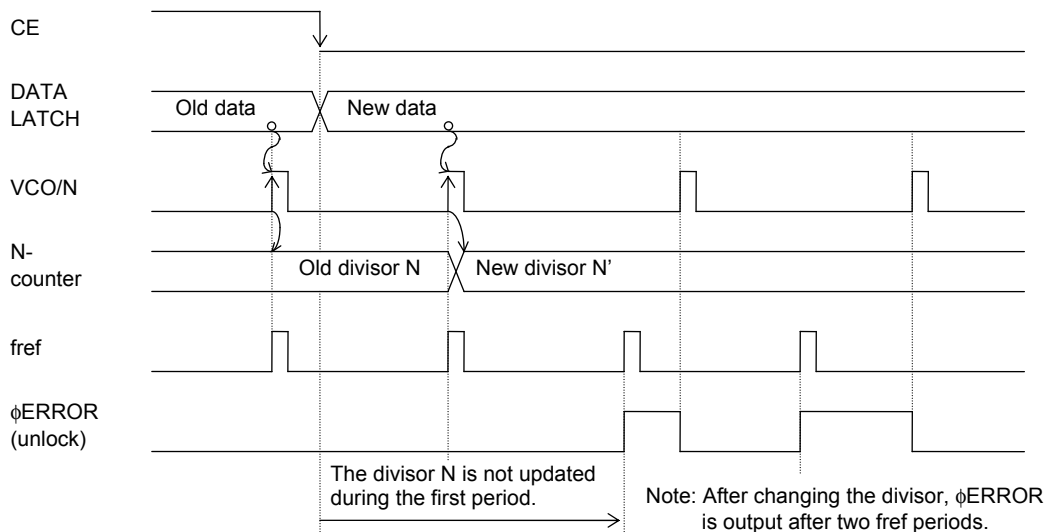


Figure 1 Unlocked State Detection Timing

For example, if f_{ref} is 1kHz, i.e., the period is 1ms, after changing the divisor N, the system must wait at least 2ms before checking for the unlocked state.

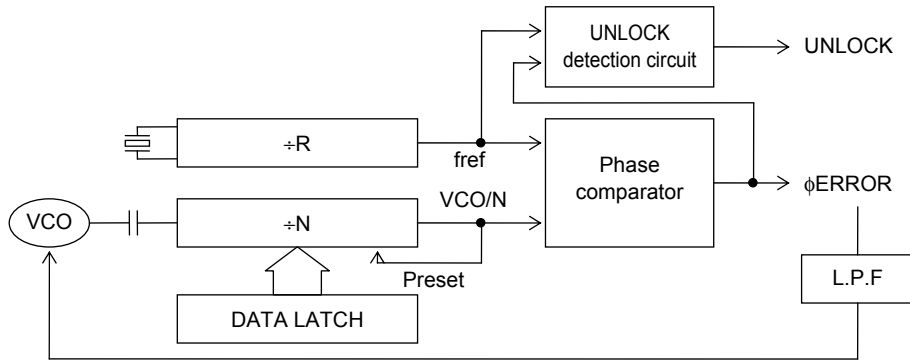


Figure 2 Circuit Structure

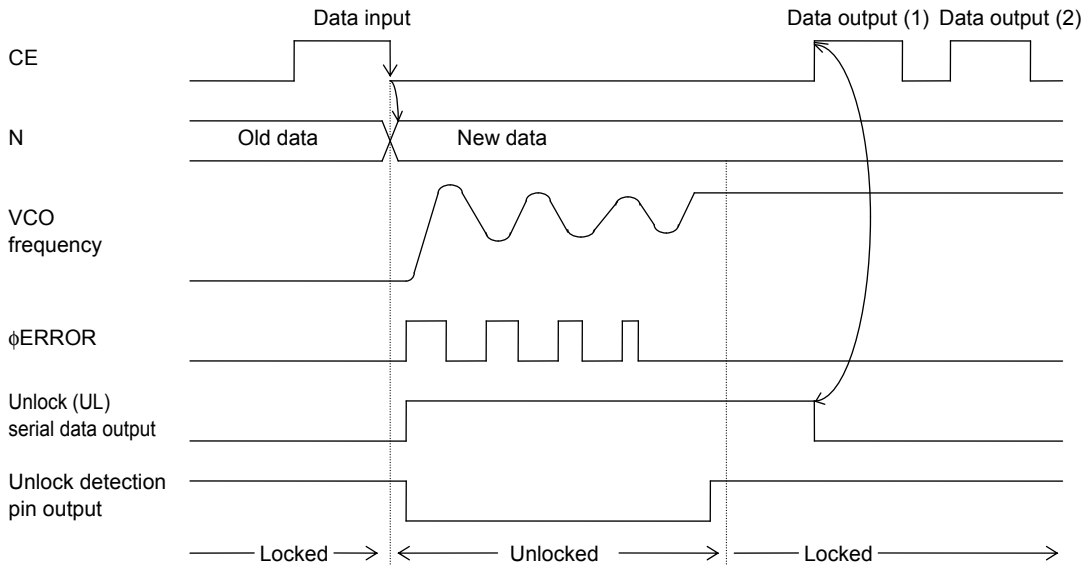


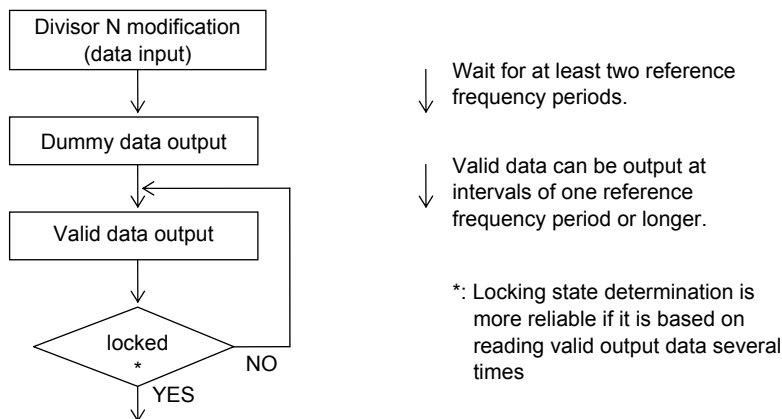
Figure 3

Unlocked State Data Output Using Serial Data Output

In the LC72131, once an unlocked state occurs, the unlocked state serial data (UL) will not be reset until a data input (or output) operation is performed. At the data output (1) point in Figure 3, although the VCO frequency has stabilized (locked), since no data output has been performed since the divisor N was changed the unlocked state data remains in the unlocked state. As a result, even though the frequency has stabilized (locked), the system remains (from the standpoint of the data) in the unlocked state.

Therefore, the unlocked state data acquired at data output (1), which occurs immediately after the divisor N was changed, should be treated as a dummy data output and ignored. The second data output (data output (2)) and following outputs are valid data.

<Locked State Determination Flowchart Example>



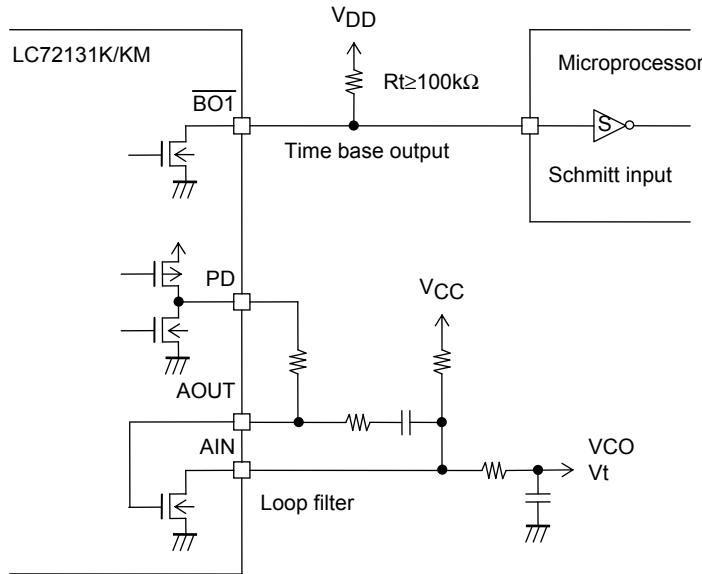
LC72131K, 72131KM

Directly Outputting Unlocked State Data from the DO Pin (Set by the DO pin control data)

Since the unlocked state (high=locked, low=unlocked) is output directly from the DO pin, the dummy data processing described in section 3 above is not required. After changing the divisor N, the locking state can be checked after waiting at least two reference frequency periods.

Clock Time Base Usage Notes

The pull-up resistor used on the clock time base output pin ($\overline{\text{BO1}}$) should be at least 100k Ω . This is to prevent degrading the VCO C/N characteristics when a loop filter is formed using the built-in low-pass filter transistor. Since the clock time base output pin and the low-pass filter have a common ground internal to the IC, it is necessary to minimize the time base output pin current fluctuations and to suppress their influence on the low-pass filter. Also, to prevent chattering we recommend using a Schmitt input at the controller (microprocessor) that receives this signal.



Other Items

[1] Notes on the Phase Comparator Dead Zone

DZ1	DZ0	Dead zone mode	Charge pump	Dead zone
0	0	DZA	ON/ON	-0s
0	1	DZB	ON/ON	-0s
1	0	DZC	OFF/OFF	+0s
1	1	DZD	OFF/OFF	++0s

Since correction pulses are output from the charge pump even if the PLL is locked when the charge pump is in the ON/ON state, the loop can easily become unstable. This point requires special care when designing application circuits.

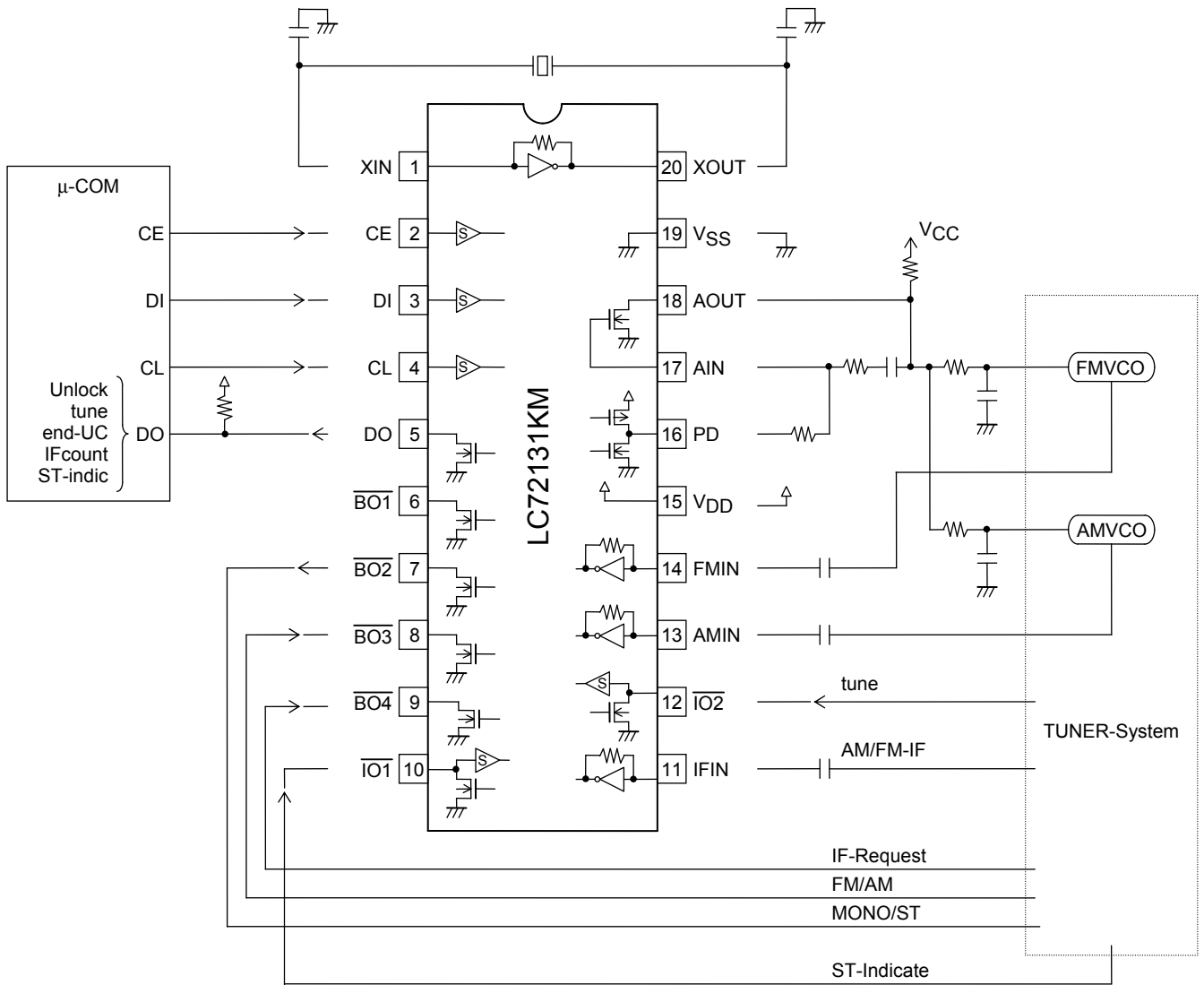
The following problems may occur in the ON/ON state.

- (1) Side band generation due to reference frequency leakage
- (2) Side band generation due to both the correction pulse envelope and low frequency leakage

Schemes in which a dead zone is present (OFF/OFF) have good loop stability, but have the problem that acquiring a high C/N ratio can be difficult. On the other hand, although it is easy to acquire a high C/N ratio with schemes in which there is no dead zone, it is difficult to achieve high loop stability. Therefore, it can be effective to select DZA or DZB, which have no dead zone, in applications which require an FM S/N ratio in excess of 90 to 100dB, or in which an increased AM stereo pilot margin is desired. On the other hand, we recommend selecting DZC or DZD, which provide a dead zone, for applications which do not require such a high FM signal-to-noise ratio and in which either AM stereo is not used or an adequate AM stereo pilot margin can be achieved.

LC72131K, 72131KM

Application System Example [LC72131KM]



- SANYO Semiconductor Co.,Ltd. assumes no responsibility for equipment failures that result from using products at values that exceed, even momentarily, rated values (such as maximum ratings, operating condition ranges, or other parameters) listed in products specifications of any and all SANYO Semiconductor Co.,Ltd. products described or contained herein.
- SANYO Semiconductor Co.,Ltd. strives to supply high-quality high-reliability products, however, any and all semiconductor products fail or malfunction with some probability. It is possible that these probabilistic failures or malfunction could give rise to accidents or events that could endanger human lives, trouble that could give rise to smoke or fire, or accidents that could cause damage to other property. When designing equipment, adopt safety measures so that these kinds of accidents or events cannot occur. Such measures include but are not limited to protective circuits and error prevention circuits for safe design, redundant design, and structural design.
- In the event that any or all SANYO Semiconductor Co.,Ltd. products described or contained herein are controlled under any of applicable local export control laws and regulations, such products may require the export license from the authorities concerned in accordance with the above law.
- No part of this publication may be reproduced or transmitted in any form or by any means, electronic or mechanical, including photocopying and recording, or any information storage or retrieval system, or otherwise, without the prior written consent of SANYO Semiconductor Co.,Ltd.
- Any and all information described or contained herein are subject to change without notice due to product/technology improvement, etc. When designing equipment, refer to the "Delivery Specification" for the SANYO Semiconductor Co.,Ltd. product that you intend to use.
- Information (including circuit diagrams and circuit parameters) herein is for example only; it is not guaranteed for volume production.
- Upon using the technical information or products described herein, neither warranty nor license shall be granted with regard to intellectual property rights or any other rights of SANYO Semiconductor Co.,Ltd. or any third party. SANYO Semiconductor Co.,Ltd. shall not be liable for any claim or suits with regard to a third party's intellectual property rights which has resulted from the use of the technical information and products mentioned above.

This catalog provides information as of May, 2009. Specifications and information herein are subject to change without notice.