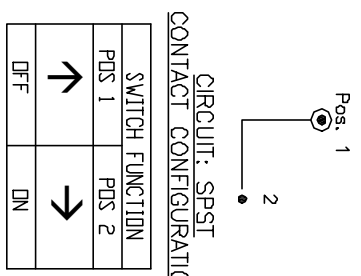
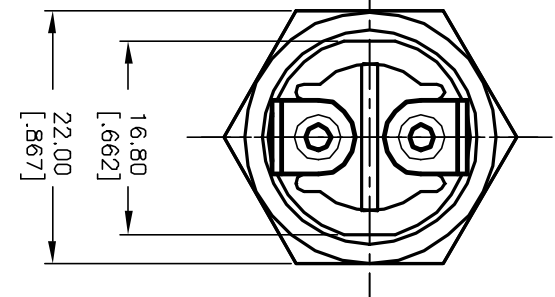
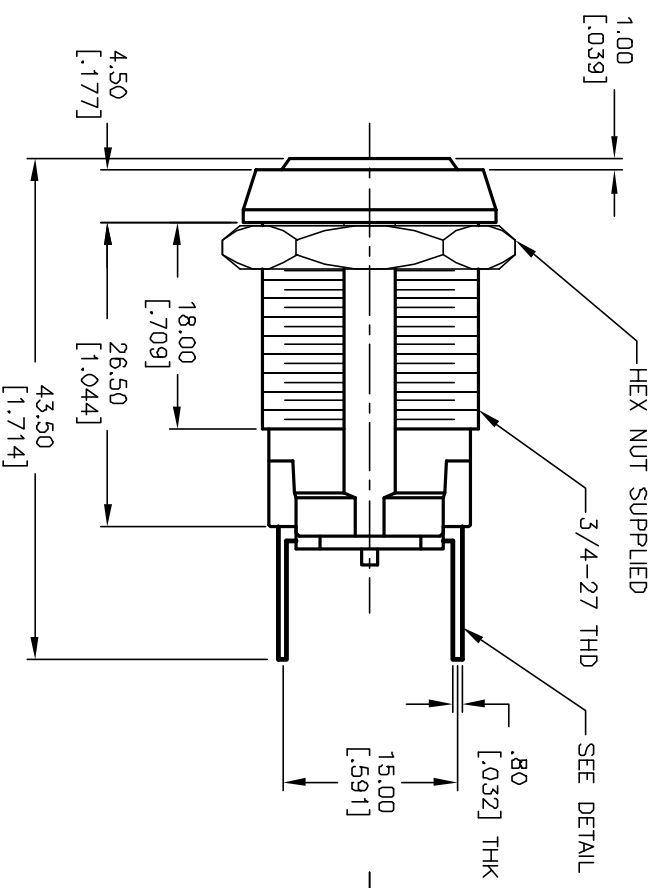
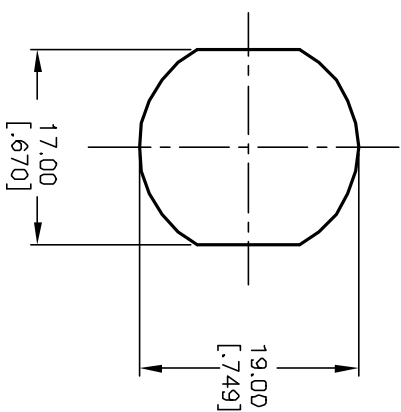


TERMINATION DETAIL



CIRCUIT: SPST
CONTACT CONFIGURATION



RECOMMENDED PANEL CUTOUT

- NOTES:
1. ALL DIMENSIONS IN MM [INCH]
 2. GENERAL TOLERANCE: X.X=±0.4
X.XX=±0.25
 3. TERM. NOS. FOR REFERENCE ONLY.
 4. RATING: 4A @125VAC, 2A @250VAC
 5. CONTACT RESISTANCE: 10mILLI-OHMS
 6. DIELECTRIC STRENGTH: 1500 VAC-1Minute
 7. INSULATION RESISTANCE: 200 Mega-OHMS
 8. MATERIALS:
HOUSING: ZINC ALLOY DIE CAST
CYLINDER: ZINC ALLOY W/CHROME PLATE
CONTACTS: SILVER PLATE
GRSS CROSS TUMBLERS. (11 BLADE)
DOUBLE BITTED KEYS (2) STAMPED 2007

LEGEND
● = INDICATE NO KEY PULL
⊙ = INDICATES KEY PULL POSSIBLE

B	12872	REMOVE TERM /NOTE 8	3/4/03	CJB
A	11754	RELEASED FOR PRODUCTION	10/17/01	CJB
REV.	ECN No.	DESCRIPTION	DATE	CHKD

TITLE		SCALE	DATE	DR	DWG	REV
K0128F-2007		1.5:1	10/17/01	CJB	K200203	B



THE INFORMATION CONTAINED IN THIS DOCUMENT IS PROPRIETARY TO E-SWITCH AND IS NOT TO BE COPIED OR TRANSFERRED