

Specification:

Material:

Insulator: PBT, rated UL94V-0

Contacts: Brass

Shell: Steel

Contact Plating:

Gold Flash/Nickel

Electrical:

Operation Voltage: 250 VAC max.

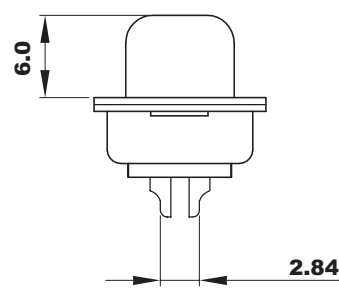
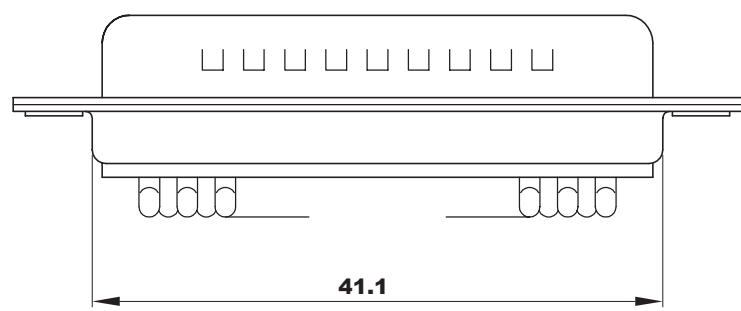
Current Rating: 3 Amps max

Contact Resistance: 15 mohms max

Insulation Resistance: 3000 mohms min @ 500 VDC

Dielectric Withstanding Voltage: 1000 Vac/minute

Operating Temperature: -55°C to +105°C



Description	
Name :	A-DS25LL-TL-B-R
	D-Sub Solder (Male)



THIS DRAWING IS UNPUBLISHED

© Copyright 2005 by Assmann Electronic Components All International Rights Reserved

This drawing is a controlled document for Assmann Electronics, Inc. It is subject to change and the controlling engineering organization should be contacted for the latest revision.