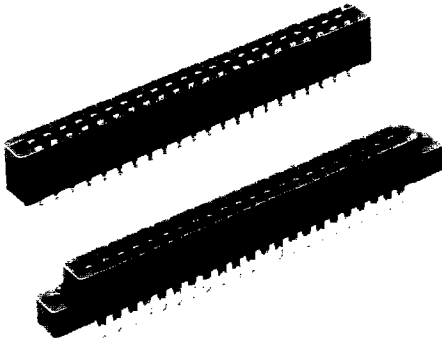


CARDCON™
Edge Connector
Commercial

.156" (3.96mm) Density
Dip Solder/Solder Eyelet



Features

- Dip solder tails single readout and double readout on .140" (3.56mm) row centers or .200" (5.08mm) row centers
- Solder eyelet, single readout and double readout on .200" (5.08mm) row centers
- Available with unique tails for PC board retention; holds the connector firmly on the board during wave soldering operations
- Bifurcated semi-bellows contacts for added contact reliability
- Ideal for applications involving vibration or board irregularities
- Contact positions: 6, 10, 12, 15, 18, 22, 24, and 25
- Accepts single- or double-sided .062" (1.59mm) thick PC boards
- Available less mounting ears, or with .128" (3.25mm) mounting hole
- Meets applicable performance criteria of MIL-C-21097
- UL Recognized—file E19071

Performance Data

Materials

Insulation Material: UL 94V-0 rated glass-filled polyester, black

Contact Material: Spring brass

Contact Plating: 10 μ inch selective gold over 30 μ inch nickel in contact area, tin on tails

Electrical Characteristics

Withstanding Voltage: 1800 VAC rms (@ sea level)

Current Rating: 5 Amps

Contact Resistance: 6 Milliohms maximum

Insulation Resistance: 5000 Megohms minimum

Mechanical Characteristics

Individual Contact Insertion and Separation Force: 16 oz. maximum with .070" (1.78mm) blade; 1 oz. minimum with .054" (1.37mm) blade

Environmental Characteristics

Shock: Per MIL-STD-202E, Method 213, Condition C

Operating Temperature: -65°C to +105°C

Vibration: Per MIL-STD-202E, Method 204, Condition B

Humidity: Per MIL-STD-202E, Method 103, Condition B

Accessories

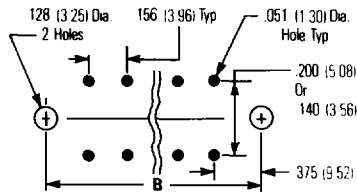
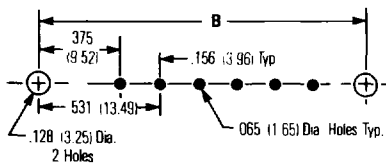
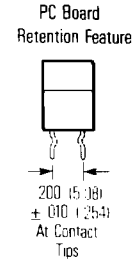
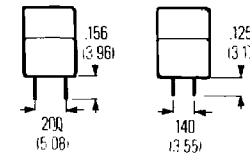
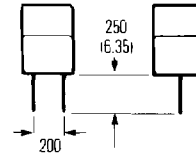
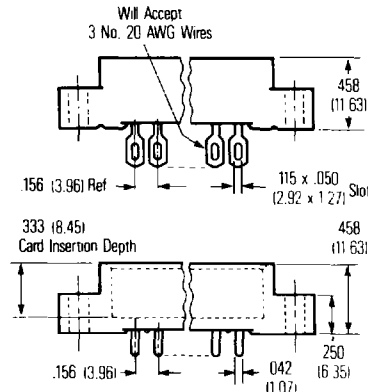
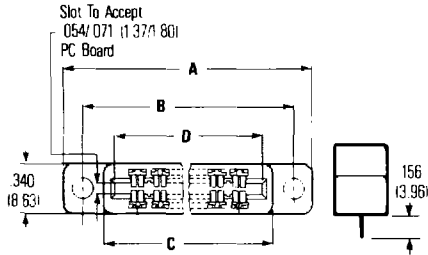
Polarizing Key: Two types (order separately): a) for between-contact polarization and b) for in-contact polarization. See page 36 for more information.

Card Guide Posts: (Order separately) Attach to mounting ears and guide PC board into connector. See page 36 for more information.

CARDCON™
Edge Connector
Commercial

.156" (3.96mm) Density
 Dip Solder/Solder Eyelet

CINCH

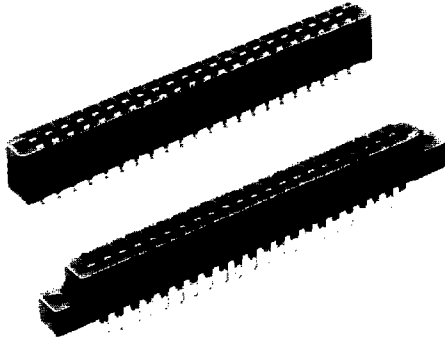


Dimensions

No. of Pos./Cont.	A		B		C		D	
	in	mm	in	mm	in	mm	in	mm
6/12	1.785	45.34	1.531	38.89	1.239	31.47	1.100	27.94
10/20	2.410	61.21	2.156	54.76	1.874	47.34	1.724	43.79
12/24	2.723	69.16	2.469	62.71	2.177	55.30	2.036	51.71
15/30	3.191	81.05	2.937	74.60	2.645	67.18	2.504	63.60
18/36	3.660	92.96	3.406	86.51	3.114	79.10	2.972	75.49
22/44	4.285	108.84	4.031	102.39	3.739	94.94	3.596	91.34
24/48	4.598	116.79	4.344	110.34	4.052	102.92	3.911	99.34
25/50	4.754	120.75	4.500	114.30	4.208	106.88	4.067	103.30

Ordering Information

No. of Pos./Cont.	Less Mounting Ears Part No.	.128 Mounting Hole Part No.	No. of Pos./Cont.	Less Mounting Ears Part No.	.128 Mounting Hole Part No.	No. of Pos./Cont.	Less Mounting Ears Part No.	.128 Mounting Hole Part No.
Solder eyelet, single readout			Dip solder tails, single readout, .156" (3.96mm) long			Dip solder tails, double readout, .140" (3.55mm) row spacing, .125" (3.18mm) long		
6/6	50-6SN-8	50-6SN-7	6/6	50-6SN-6	50-6SN-5	6/12	50-12SN-4	50-12SN-2
10/10	50-10SN-8	50-10SN-7	10/10	50-10SN-6	50-10SN-5	10/20	50-20SN-4	50-20SN-2
12/12	50-12SN-8	50-12SN-7	12/12	50-12SN-6	50-12SN-5	12/24	50-24SN-4	50-24SN-2
15/15	50-15SN-8	50-15SN-7	15/15	50-15SN-6	50-15SN-5	15/30	50-30SN-4	50-30SN-2
18/18	50-18SN-8	50-18SN-7	18/18	50-18SN-6	50-18SN-5	18/36	50-36SN-4	50-36SN-2
22/22	50-22SN-8	50-22SN-7	22/22	50-22SN-6	50-22SN-5	22/44	50-44SN-4	50-44SN-2
24/24	50-24SN-8	50-24SN-7	24/24	50-24SN-6	20-24SN-5	24/48	50-48SN-4	50-48SN-2
25/25	50-25SN-8	50-25SN-7	25/25	50-25SN-6	50-25SN-5	25/50	50-50SN-4	50-50SN-2
Solder eyelet, double readout, .200" (5.08mm) row spacing			Dip solder tails, double readout, .200" (5.08mm) row spacing, .156" (3.96mm) long			Dip solder tails with unique board retention feature .200" (5.08mm) row spacing, .156" (3.96mm) long		
6/12	50-12SN-10	50-12SN-9	6/12	50-12SN-3	50-12SN-1	6/12	50-12SN-3R	50-12SN-1R
10/20	50-20SN-10	50-20SN-9	10/20	50-20SN-3	50-20SN-1	10/20	50-20SN-3R	50-20SN-1R
12/24	50-24SN-10	50-24SN-9	12/24	50-24SN-3	50-24SN-1	12/24	50-24SN-3R	50-24SN-1R
15/30	50-30SN-10	50-30SN-9	15/30	50-30SN-3	50-30SN-1	15/30	50-30SN-3R	50-30SN-1R
18/36	50-36SN-10	50-36SN-9	18/36	50-36SN-3	50-36SN-1	18/36	50-36SN-3R	50-36SN-1R
22/44	50-44SN-10	50-44SN-9	22/44	50-44SN-3	50-44SN-1	22/44	50-44SN-3R	50-44SN-1R
24/48	50-48SN-10	50-48SN-9	24/48	50-48SN-3	50-48SN-1	24/48	50-48SN-3R	50-48SN-1R
25/50	50-50SN-10	50-50SN-9	25/50	50-50SN-3	50-50SN-1	25/50	50-50SN-3R	50-50SN-1R



Features

- Dip solder tails, single readout, .156" (3.96mm) long
- Dip solder tails, double readout, .156" (3.96mm) on .200" (5.08mm) row spacing, or .125" (3.18mm) long on .140" (3.56mm) row spacing
- Solder eyelet, single readout and double readout on .200" (5.08mm) row centers
- Available with unique tails for PC board retention; holds the connector firmly on the board during wave soldering operations
- Bifurcated semi-bellows contacts for added contact reliability
- *Ideal for applications involving vibration or board irregularities*
- Contact positions: 6, 10, 12, 15, 18, 22, 24, and 25
- Accepts single- or double-sided .062" (1.59mm) thick PC boards
- Available less mounting ears, or with .128" (3.25mm) mounting hole
- Meets applicable performance criteria of MIL-C-21097
- UL Recognized—file 130965
- CSA LR 31996

Performance Data

Materials

Insulation Material: UL 94V-0 rated glass-filled polyester, green

Contact Material: Spring brass

Contact Plating: 10 μinch selective gold over 30 μinch nickel in the contact area, 5 μinch gold tails

Electrical Characteristics

Withstanding Voltage: 1800 VAC rms (@ sea level)

Current Rating: 5 Amps

Contact Resistance: 6 Milliohms maximum

Insulation Resistance: 5000 Megohms minimum

Mechanical Characteristics

Individual Contact Insertion and

Separation Force: 16 oz. maximum with .070" (1.78mm) blade; 1 oz. minimum with .054" (1.37mm) blade

Environmental Characteristics

Shock: Per MIL-STD-202E, Method 213, Condition C

Operating Temperature: -65°C to +105°C

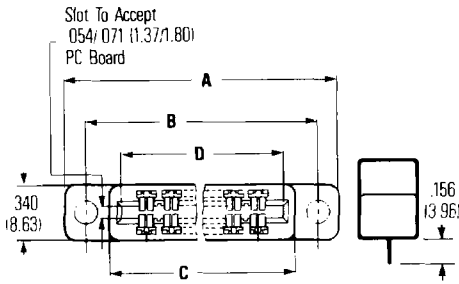
Vibration: Per MIL-STD-202E, Method 204, Condition B

Humidity: Per MIL-STD-202E, Method 103, Condition B

Accessories

Polarizing Key: Two types (order separately): a) for between-contact polarization and b) for in-contact polarization. See page 36 for more information.

Card Guide Posts: (Order separately) Attach to mounting ears and guide PC board into connector. See page 36 for more information.



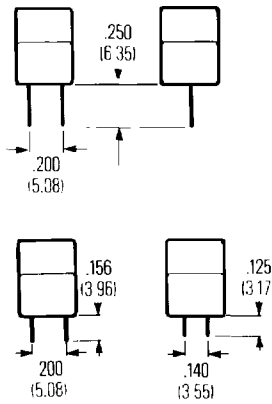
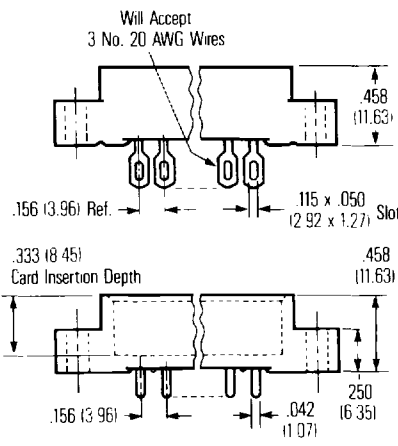
Dimensions

No. of Pos./Cont.	A		B		C		D	
	in	mm	in	mm	in	mm	in	mm
6/12	1.785	45.34	1.531	38.89	1.239	31.47	1.100	27.94
10/20	2.410	61.21	2.156	54.76	1.874	47.34	1.724	43.79
12/24	2.723	69.16	2.469	62.71	2.177	55.30	2.036	51.71
15/30	3.191	81.05	2.937	74.60	2.645	67.18	2.504	63.60
18/36	3.660	92.96	3.406	86.51	3.114	79.10	2.972	75.49
22/44	4.285	108.84	4.031	102.39	3.739	94.94	3.596	91.34
25/50	4.754	120.75	4.500	114.30	4.208	106.88	4.067	103.30

Ordering Information

Single Readout

No. of Pos./Cont.	.128" (3.25mm) Mounting Hole	
	Dip Solder Tails .156" (3.96mm) Long	Solder Eyelet
Part No.	Part No.	Part No.
6/6	50-6B-10	50-6A-20
10/10	50-10B-10	50-10A-20
12/12	50-12C-10	50-12A-20
15/15	50-15B-10	50-15A-20
18/18	50-18B-10	50-18A-20
22/22	50-22B-10	50-22A-20
25/25	50-25B-10	50-25A-20



Double Readout

No. of Pos./Cont.	.128" (3.25mm) Mounting Hole		Less Mounting Ears	
	Solder Eyelet	Dip Solder Tails .156" (3.96mm) Long .200" (5.08mm) Between Row Spacing	Dip Solder Tails .125" (3.18mm) Long .140" (3.56mm) Between Row Spacing	Dip Solder Tails .125" (3.18mm) Long .140" (3.56mm) Between Row Spacing
Part No.	Part No.	Part No.	Part No.	
6/12	50-12A-30	50-12B-10	50-12S-30-2	50-12S-30-1
10/20	50-20A-30	50-20B-10	50-20S-30-2	50-20S-30-1
12/24	50-24A-30	50-24B-10	50-24S-30-2	50-24S-30-1
15/30	50-30A-30	50-30B-10	50-30S-30-2	50-30S-30-1
18/36	50-36A-30	50-36B-10	50-36S-30-2	50-36S-30-1
22/44	50-44A-30	50-44B-10	50-44S-30-2	50-44S-30-1
25/50	50-50A-30	50-50B-10	50-50S-30-2	50-50S-30-1

