

FEATURES AND SPECIFICATIONS

Features and Benefits

- Surface Mount Compatible
- Fully isolated terminals to protect contacts from damage
- Patented metal retention clip holds product before and after the soldering process
- Blind-mating capabilities

Reference Information

Product Specification: PS-43810-0001

Packaging: Tray

UL File No.: E29179

CSA File No.: LR19980

TUV License No.: R75142

Mates With: 42385, 42474, 44475 and 5557 dual row receptacles

Designed In: Millimeters

Electrical

Voltage: 600V

Current: 9.0A (12.0A with HCS terminals)

Circuits	2-3	4-6	7-10	12-24
Amperes-BMI	9	8	7	6
Amperes-BMI with HCS	12	11	10	9

Contact Resistance: 10mΩ max.

Dielectric Withstanding Voltage: 1500V

Insulation Resistance: 1000 MΩ min.

Mechanical

Insertion Force to PCB: 5.0kg max.

Mating Force: 0.7kg (1.54 lb) per circuit max.

Unmating Force: 0.35kg (0.7 lb) per circuit min.

Normal Force: 200g min.

Durability: 30 cycles

Physical

Housing: 4/6 nylon, UL 94V-0

Contact: Brass

Plating: Tin, overall Gold

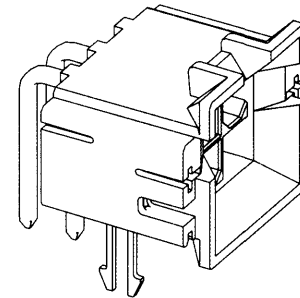
Operating Temperature: -40 to +105°C



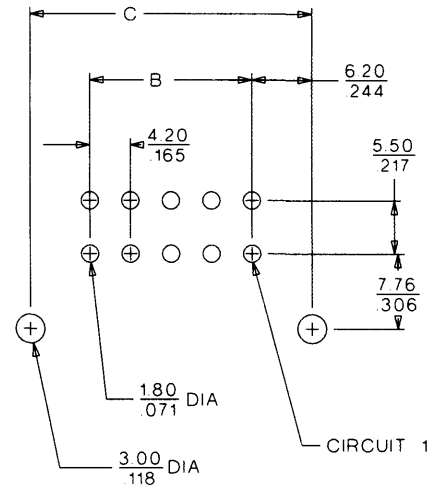
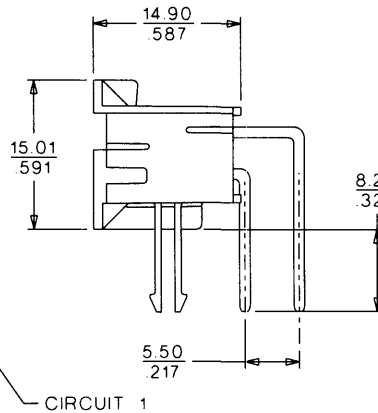
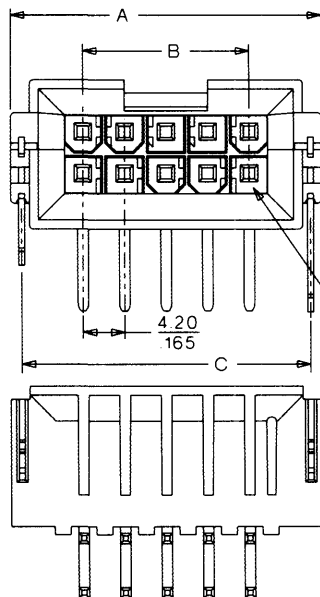
Mini-Fit, SMC™ Surface Mount Compatible Headers

43810

Right Angle, Dual Row for 6.35mm (.250") max. PCB Thickness



CATALOG DRAWING (FOR REFERENCE ONLY)



PCB LAYOUT: COMPONENT SIDE
RECOMMENDED PCB THICKNESS 6.35
250

ORDERING INFORMATION AND DIMENSIONS

Circuits	Order No.				Dimension		
	Tin Plated		Gold Plated		A	B	C
	With Clip	Without Clip	With Clip	Without Clip			
4	• 43810-0353	• 43810-0375	• 43810-0364	• 43810-0386	18.81 (.740)	4.20 (.165)	16.60 (.653)
6	• 43810-0354	• 43810-0376	• 43810-0365	• 43810-0387	23.01 (.906)	8.40 (.331)	20.80 (.819)
10	• 43810-0356	• 43810-0378	• 43810-0367	• 43810-0389	31.41 (1.237)	16.80 (.661)	29.20 (1.150)
14	• 43810-0358	• 43810-0380	• 43810-0369	• 43810-0391	39.81 (1.567)	25.20 (.992)	37.60 (1.480)
18	• 43810-0360	• 43810-0382	• 43810-0371	• 43810-0393	48.21 (1.898)	33.60 (1.323)	46.00 (1.810)
24	• 43810-0363	• 43810-0385	• 43810-0374	• 43810-0396	60.81 (2.394)	46.20 (1.819)	58.60 (2.307)

• US Standard Product, available through Molex franchised distributors