

NOTES: UNLESS OTHERWISE SPECIFIED

- 1 CATALOG NUMBER, DATE CODE AND MANUFACTURING LOCATION CODE LOCATED APPROXIMATELY AS SHOWN ON SURFACE INDICATED.
- 2 SOCKET COVER & SHIELD STAKED TOGETHER AND SHIPPED AS SEPARATE ASSEMBLY UNATTACHED TO CONNECTOR. DRAWING SHOWS CONNECTOR FULLY ASSEMBLED FOR REFERENCE ONLY.
- 3 THIS DIMENSION IS FINAL PLATED THRU HOLE SIZE.

4. MATERIAL & FINISH

C-PRESS[®] CONTACTS: COPPER ALLOY
 FINISH: C-SECTION: 30 MICROINCHES GOLD OVER 50 MICROINCHES NICKEL
 PRESS FIT END: PURE TIN

INSULATOR: POLYESTER, GLASS FILLED
 RATED UL 94V-0. COLOR: BLACK

SOCKET COVER: POLYESTER, GLASS FILLED
 RATED UL 94V-0. COLOR: BLACK

SHIELD: STEEL
 FINISH: PURE TIN

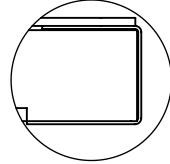
GROUND STRAP: PHOSPHOR BRONZE
 FINISH: PURE TIN

5. PERFORMANCE CHARACTERISTICS

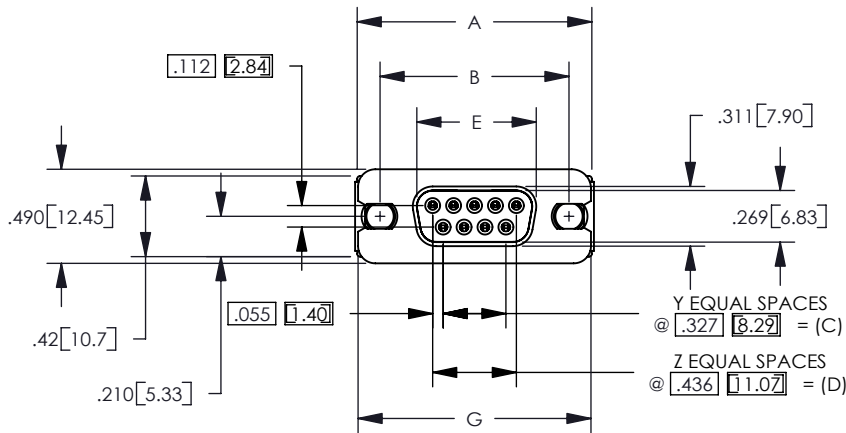
INSULATION RESISTANCE: 5,000 MEGOHMS MINIMUM
 OPERATING TEMPERATURE RANGE: -55° C TO +105° C
 CURRENT RATING: 1 AMP AT 70° C
 3 AMP AT 20° C

C-PRESS[®] CONTACT:
 MAXIMUM INSERTION FORCE (PER CONTACT): 40 LBS. / 178 N MAXIMUM
 MINIMUM RETENTION FORCE (PER CONTACT): 10 LBS. / 44 N MINIMUM

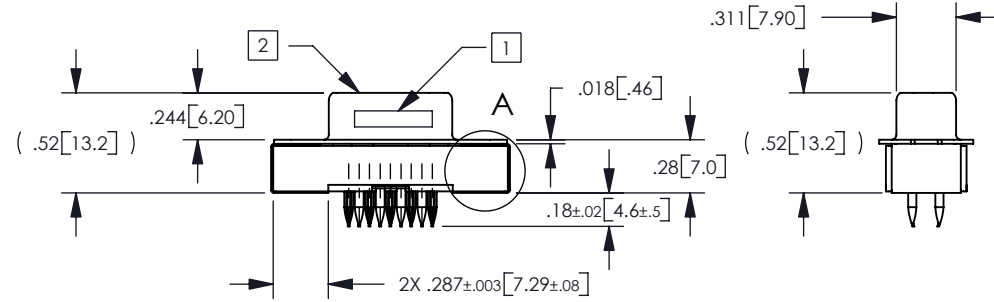
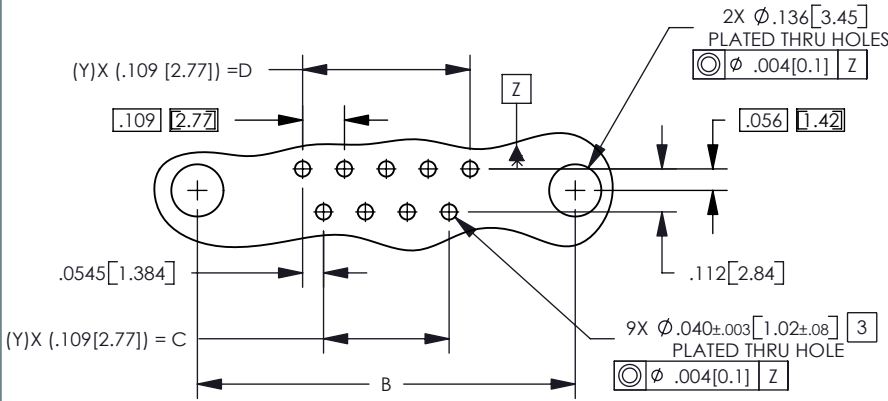
| REV | DESCRIPTION | BY DATE | APPD |
|-----|---------------------------|----------------|------|
| A | RELEASED PER EWR08-ER9408 | DW 07/24/08 | WPM |



DETAIL A
SCALE 2 : 1



Y EQUAL SPACES
 @ .327 [8.29] = (C)
 Z EQUAL SPACES
 @ .436 [11.07] = (D)



CATALOG P/N: 1891109S7K5554

RECOMMENDED PC BOARD REQUIREMENTS
 (COMPONENT SIDE OF BOARD SHOWN)

| | | | | | | | | | |
|------------------|-------------------|-------------|-------------|-------------|-------------|-------------|-------------|----|----|
| 37 | 189-1137S-7-K5554 | 2.738/69.55 | 2.500/63.50 | 1.853/47.07 | 1.962/49.83 | 2.159/54.84 | 2.729/69.32 | 17 | 18 |
| 25 | 189-1125S-7-K5554 | 2.09/53.09 | 1.852/47.04 | 1.199/30.45 | 1.308/33.22 | 1.511/38.38 | 2.088/53.04 | 11 | 12 |
| 15 | 189-1115S-7-K5554 | 1.550/39.37 | 1.312/33.32 | .654/16.61 | .763/19.38 | .971/24.66 | 1.541/39.14 | 6 | 7 |
| 9 | 189-1109S-7-K5554 | .122/31.04 | .984/24.99 | .327/8.31 | .436/11.07 | .643/16.33 | 1.213/30.81 | 3 | 4 |
| No. OF POSITIONS | CATALOG No. | A | B | C | D | E | G ±.015 | Y | Z |

PER ASME Y14.5M-1994
 UNLESS OTHERWISE SPECIFIED:
 DIMENSIONS ARE IN INCHES [MM]
 TOLERANCES:
 DECIMAL: .XX [X.X] ± .01 [0.3]
 .XXX [X.XX] ± .005 [0.13]
 .XXXX [X.XXXX] ± .XXXX
 ANGLES: ± 2°
 SCALE: 1:1

Winchester Electronics
 Winchester Electronics Corporation
 62 Barnes Industrial Road North
 Wallingford, Connecticut 06492

| CUSTOMER DRAWING | | | |
|------------------|------------------|-----------------|------------------|
| DRAWN DW | DATE 07/24/08 | APPROVED WPM | DATE 07/24/08 |
| APPROVED VBH | DATE 07/24/08 | APPROVED XXX | DATE XX/XX/XX |

| | |
|--|-------|
| D-SUB SHIELDED SOCKET CONNECTOR WITH C-PRESS SOCKET CONTACTS (ROHS WITH EXEMPTION) | |
| A | 27432 |
| SHT 1 OF 1 | REV A |