

Power terminal block - AKG 16 BU - 0423014

Please be informed that the data shown in this PDF Document is generated from our Online Catalog. Please find the complete data in the user's documentation. Our General Terms of Use for Downloads are valid (<http://download.phoenixcontact.com>)




Power terminal block, Connection method Screw connection, Load current : 76 A, Cross section: 1.5 mm² - 16 mm², Width: 9.8 mm, Color: blue

Product description

Power terminal block, Connection method Screw connection, Load current : 76 A, Cross section: 1.5 mm² - 16 mm², Width: 9.8 mm, Color: blue



Key commercial data

Packing unit	1
Minimum order quantity	50
Catalog page	Page 499 (CL1-2011)
GTIN	 4 017918 001995
Weight per piece (including packing)	0.0 GRM
Weight per Piece (excluding packing)	10.43 GRM
Country of origin	GERMANY

Technical data

General

Color	blue
Insulating material	PA
Inflammability class according to UL 94	V2

Dimensions

Length	23.7 mm
Width	9.8 mm

Technical data

Maximum load current	76 A (with 16 mm ² conductor cross section)
Nominal current I _N	76 A

Connection data

Conductor cross section solid min.	1.5 mm ²
Conductor cross section solid max.	16 mm ²

Power terminal block - AKG 16 BU - 0423014

Technical data

Connection data

Conductor cross section stranded min.	1.5 mm ²
Conductor cross section stranded max.	16 mm ²
Conductor cross section AWG/kcmil min.	16
Conductor cross section AWG/kcmil max	6
Conductor cross section stranded, with ferrule without plastic sleeve min.	1.5 mm ²
Conductor cross section stranded, with ferrule without plastic sleeve max.	16 mm ²
Conductor cross section stranded, with ferrule with plastic sleeve min.	1.5 mm ²
Conductor cross section stranded, with ferrule with plastic sleeve max.	16 mm ²
2 conductors with same cross section, solid min.	1.5 mm ²
2 conductors with same cross section, solid max.	6 mm ²
2 conductors with same cross section, stranded min.	1.5 mm ²
2 conductors with same cross section, stranded max.	6 mm ²
2 conductors with same cross section, stranded, ferrules without plastic sleeve, min.	1.5 mm ²
2 conductors with same cross section, stranded, ferrules without plastic sleeve, max.	6 mm ²
2 conductors with same cross section, stranded, TWIN ferrules with plastic sleeve, min.	1.5 mm ²
2 conductors with same cross section, stranded, TWIN ferrules with plastic sleeve, max.	10 mm ²
Connection method	Screw connection
Stripping length	16 mm
Screw thread	M5
Tightening torque, min	2.5 Nm
Tightening torque max	3 Nm

Classifications

eclass

eClass 4.0	27141131
eClass 4.1	27141131
eClass 5.0	27141131
eClass 5.1	27141131
eClass 6.0	27141120

etim

ETIM 2.0	EC000897
ETIM 3.0	EC000897
ETIM 4.0	EC000897

Power terminal block - AKG 16 BU - 0423014

Classifications

unspsc

UNSPSC 6.01	30211811
UNSPSC 7.0901	39121410
UNSPSC 11	39121410
UNSPSC 12.01	39121410
UNSPSC 13.2	39121410

Approvals

Certificates

Certification

CSA / UL Recognized / cUL Recognized / GOST / GOST / cULus Recognized

Certification EX

Certification submitted

Approval details

CSA	
mm ² /AWG/kcmil	18-6
Nominal current IN	65 A

UL Recognized			
		B	C
mm ² /AWG/kcmil	18-6	18-6	
Nominal current IN	65 A	65 A	
Nominal voltage UN	250 V	300 V	

cUL Recognized			
		B	C
mm ² /AWG/kcmil	18-6	18-6	
Nominal current IN	65 A	65 A	
Nominal voltage UN	250 V	300 V	

GOST

GOST

Power terminal block - AKG 16 BU - 0423014

Approvals

cULus Recognized

Accessories

Accessories

Assembly

Support - AB/SS - 0404428



Support made of insulating material, with retaining screw, for use with either 3 x 10 mm or 6 x 6 mm busbar, color: gray

Support - ABN 2/SS - 0404460



Double support, insulating material, optionally for use with 3 x 10 mm or 6 x 6 mm busbar, height in closed state: 39 mm

Support - UAB 1 - 3032431



Support, Width: 2 mm, Color: blue

Support - AB2/SS - 0404431



Double support, insulating material, optionally for use with 3 mm x 10 mm or 6 mm x 6 mm busbar, height: 48 mm

Neutral busbar - NLS-CU 3/10 SN 1000MM - 0402174



PEN conductor busbar, 3mm x 10 mm, length: 1000 mm

Power terminal block - AKG 16 BU - 0423014

Accessories

Marking

Zack marker strip - ZB 6:UNBEDRUCKT - 1051003

Zack marker strip, Strip, white, Unlabeled, Can be labeled with: Plotter, Mounting type: Snap into tall marker groove, For term



Tools

Screwdriver - SZS 1,0X4,0 VDE - 1205066

Screwdriver, bladed, VDE insulated, size: 1.0 x 4.0 x 100 mm, 2-component grip, with non-slip grip



Screwdriver - SZS 1,0X4,0 VDE - 1205066

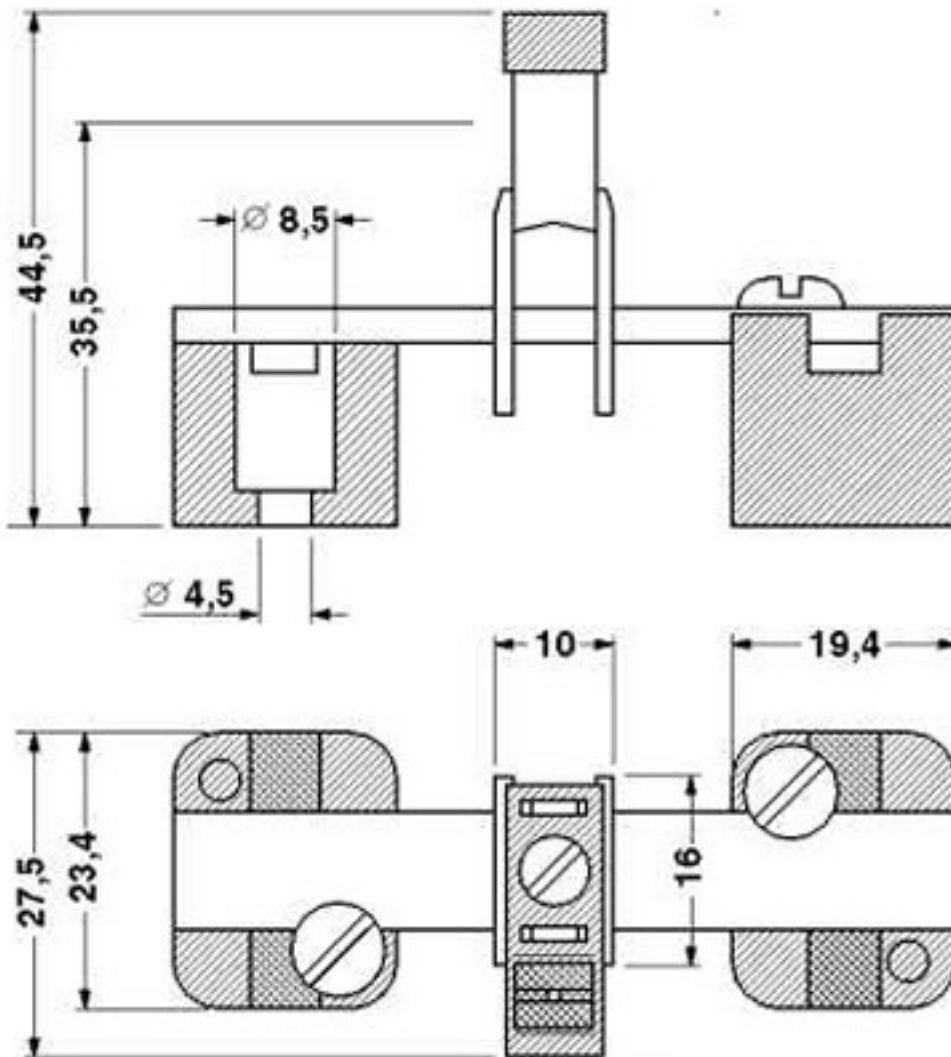
Screwdriver, bladed, VDE insulated, size: 1.0 x 4.0 x 100 mm, 2-component grip, with non-slip grip



Drawings

Power terminal block - AKG 16 BU - 0423014

Dimensioned drawing



Power terminal block - AKG 16 BU - 0423014

Dimensioned drawing

