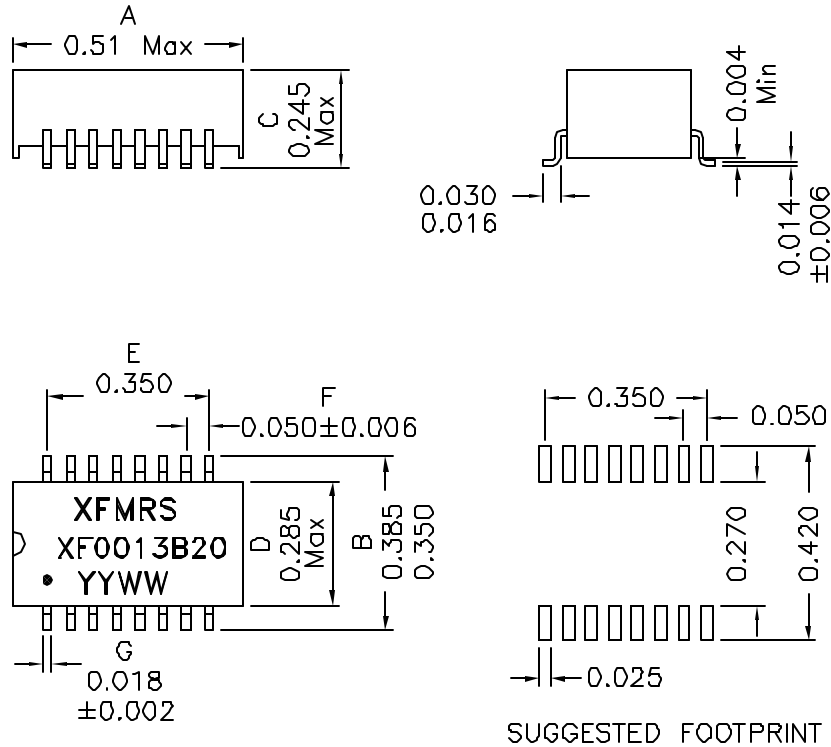
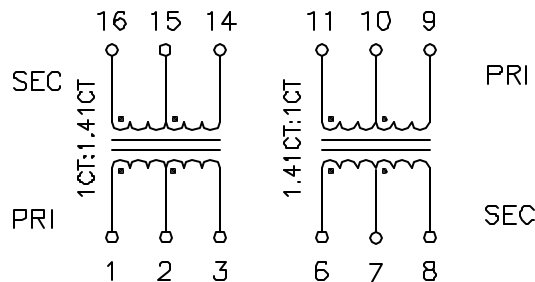


1. Dimensions:



2. Schematic:



3. Electrical Specifications: @25°C

Isolation Voltage: 1500 Vrms (PRI/SEC)

Turns Ratio: (1-2-3):(P16-15-14)=1CT:1.41CT ±3%
 (P11-10-9):(P6-7-8)=1CT:1.41CT ±3%

PRI OCL: 1.0mH MIN. @100KHz 50mV

Cw/w: Each Coil 30pF MAX. @100KHz 50mV

PRI LL: 0.60uH MAX. @100KHz 50mV (SEC Shorted)

PRI DC Resistance: 0.70 Ohms MAX.

SEC DC Resistance: 0.90 Ohms MAX.

Notes:

- Solderability: Leads shall meet MIL-STD-202G, Method 208H for solderability.
- Flammability: UL94V-0
- ASTM oxygen index: > 28%
- Insulation System: Class F 155°C. UL file E151556
- Operating Temperature Range: All listed parameters are to be within tolerance from -40°C to +85°C
- Storage Temperature Range: -55°C to +125°C
- Aqueous wash compatible
- SMD Lead Coplanarity: ±0.004" (±0.102mm)
- Electrical and mechanical specifications 100% tested
- RoHS Compliant Component

DOC. REV. B/4

PROPRIETARY Document is the property of XFMRs Group & is not allowed to be duplicated without authorization.

XFMRs Inc www.XFMRs.com	Title: TRANSFORMER	
UNLESS OTHERWISE SPECIFIED TOLERANCES: .xxx ±0.010	P/N: XF0013B20	REV. B
	DWN. 李小锋	Aug-07-07
Dimensions in Inch	CHK. 廖玉坤	Aug-07-07
SCALE 2.5:1 SHT 1 OF 1	APP. MS	Aug-07-07