



Features

- Maximum height of 1.60 mm
- Current up to 3.2 A
- Lead free
- RoHS compliant*

Applications

- Input/output of DC/DC converters
- Power supplies for:
 - Portable communication equipment
 - Camcorders
 - LCD TVs
 - Car radios

SRU6013 Series - Shielded SMD Power Inductors

Electrical Specifications

Bourns Part No.	Inductance 100 KHz		Q Ref.	Test Frequency (MHz)	SRF Typ. (MHz)	RDC Max. (mΩ)	I rms Max. (A)	I sat Typ. (A)
	(μH)	Tol. %						
SRU6013-1R0Y	1.0	± 30	12	7.96	100	36	3.20	2.90
SRU6013-1R5Y	1.5	± 30	10	7.96	90	40	3.00	2.40
SRU6013-2R2Y	2.2	± 30	10	7.96	80	50	2.50	2.10
SRU6013-3R3Y	3.3	± 30	10	7.96	70	60	2.35	1.75
SRU6013-4R2Y	4.2	± 30	10	7.96	55	75	2.10	1.50
SRU6013-6R4Y	6.4	± 30	10	7.96	45	110	1.70	1.30
SRU6013-100Y	10	± 30	14	2.52	35	165	1.40	1.00
SRU6013-150Y	15	± 30	12	2.52	26	235	1.10	0.80
SRU6013-220Y	22	± 30	12	2.52	22	325	0.95	0.72
SRU6013-330Y	33	± 30	10	2.52	18	500	0.78	0.58
SRU6013-470Y	47	± 30	10	2.52	14	675	0.66	0.50
SRU6013-680Y	68	± 30	10	2.52	10	900	0.60	0.40

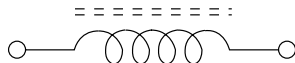
General Specifications

Test Voltage.....0.1 V
 Reflow Soldering ...230 °C, 50 sec. max.
 Operating Temperature ..-40 °C to +125 °C
 (Temperature rise included)
 Storage Temperature..-40 °C to +125 °C
 Resistance to Soldering Heat
260 °C for 10 sec.

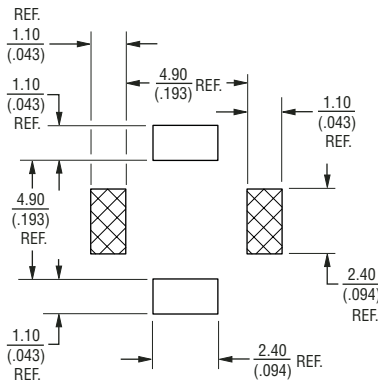
Materials

Core.....Ferrite DR and RI core
 WireEnameled copper
 TerminalAg/Ni/Sn
 Rated Current
Ind. drop 35 % typ. at Isat
 Temperature Rise
40 °C max. at rated I rms
 Packaging.....1,000 pcs. per reel

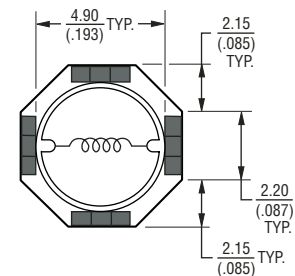
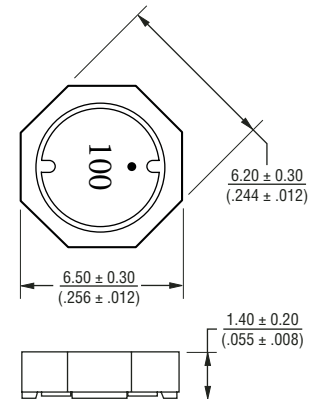
Electrical Schematic



Recommended Layout



Product Dimensions



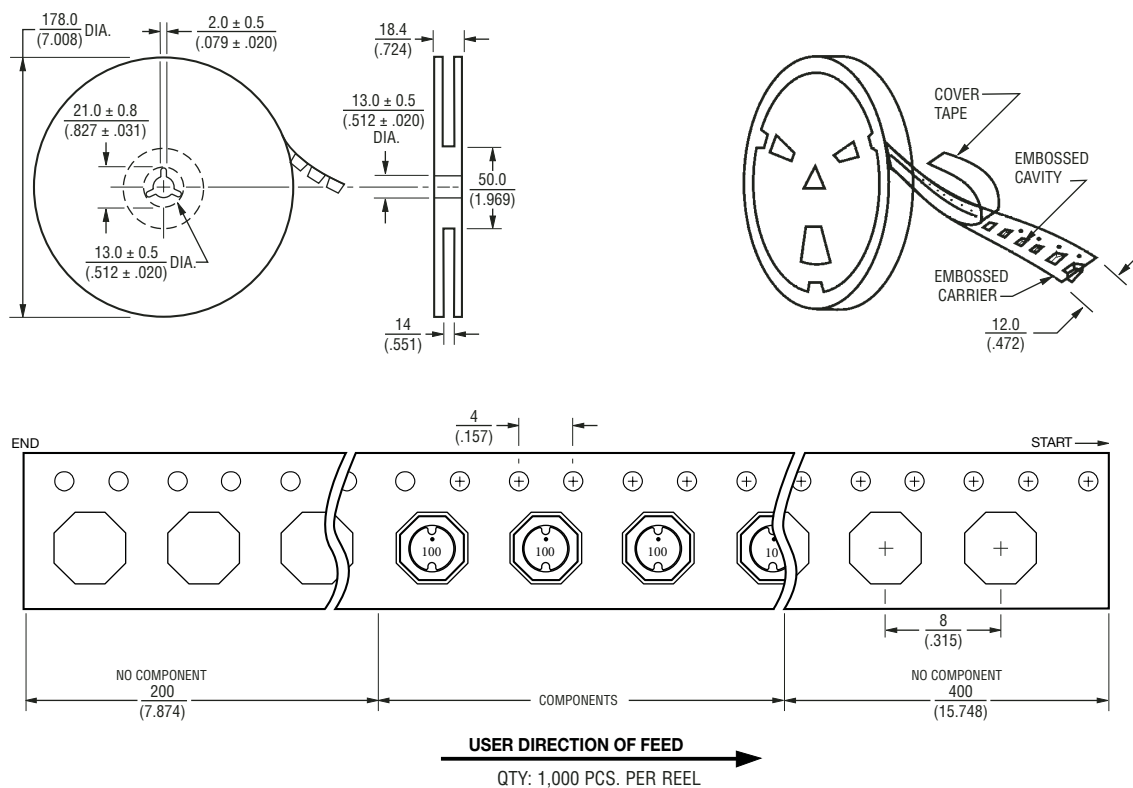
DIMENSIONS: $\frac{\text{MM}}{\text{(INCHES)}}$

*RoHS Directive 2002/95/EC Jan 27 2003 including Annex
 Specifications are subject to change without notice.
 Customers should verify actual device performance in their specific applications.

SRU6013 Series - Shielded SMD Power Inductors

BOURNS®

Packaging Specifications



DIMENSIONS: $\frac{\text{MM}}{\text{(INCHES)}}$