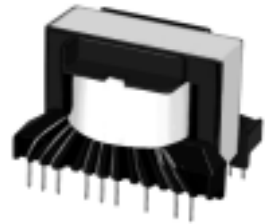


**Type: ER3023**

◆ **Product Description**

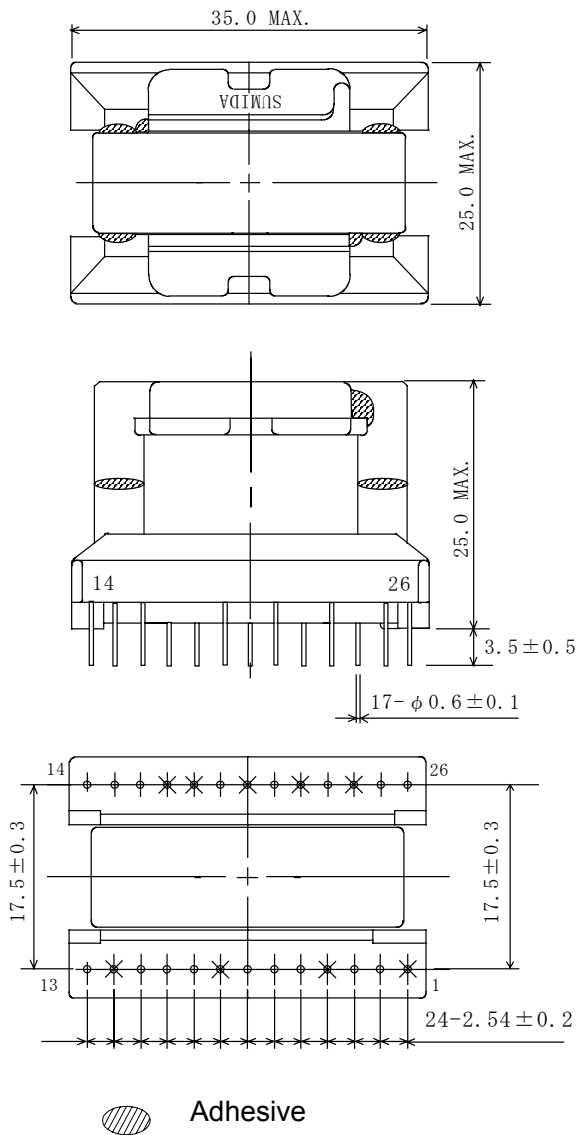
- 35.0×25.0mm Max.(L×W), 25.0mm Max. Height.
- In addition to the typical versions of parameters shown here, custom designs are available to meet your exact requirements



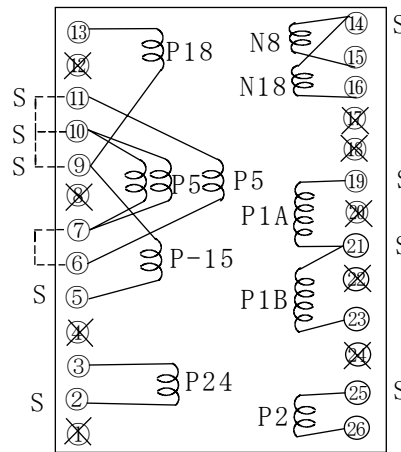
◆ **Feature**

- Max. Operating frequency 500kHz. Max. Operating power 20.0W(500kHz)
- Ideally used in Switching power supply etc.
- RoHS Compliance

◆ **Dimensions (mm)**



◆ **Schematics (Bottom)**



“ S ” is winding start

◆ **Specification**

Sample No.	4386-T247
Inductance (19-23)(at 1kHz)	7.786mH ± 17%
D . C . R . (at 20°C) (19-21)	2.67 Ω (Ref.)
Hi-pot (50/60Hz) P24,P5,P-15,P18,N8, N18—P1A,P1B,P2)	AC 2500Vrms 1 Minute
Hi-pot (50/60Hz) (Core- Coil)	AC 2000Vrms 1 Minute