

注記 NOTES

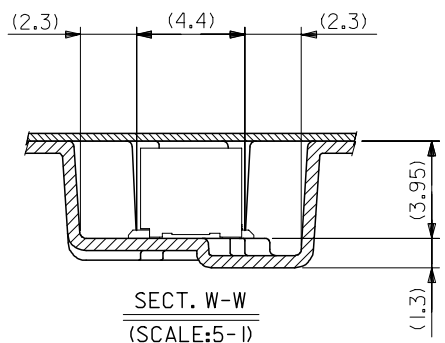
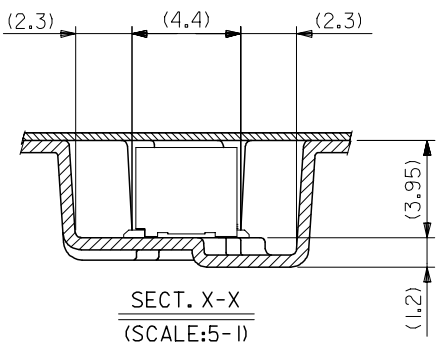
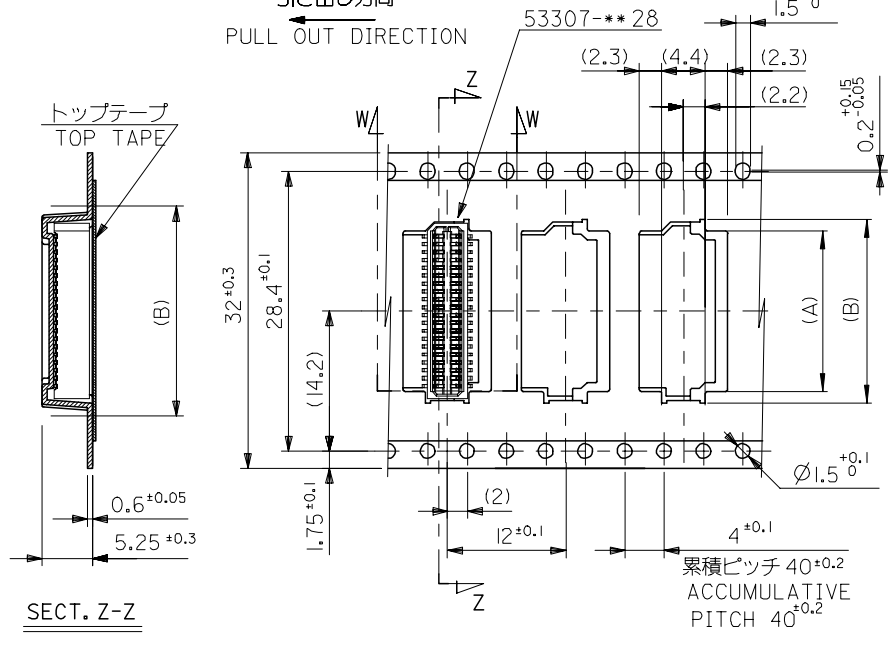
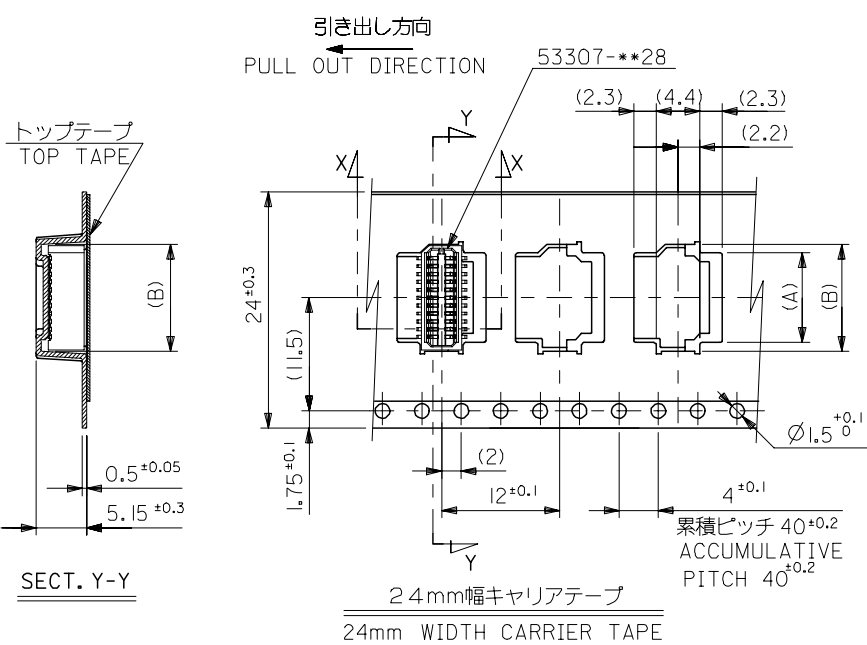
- 梱包数量：1000個/リール NUMBER OF CONNECTORS:1000PCS/REEL
- リードテープ長さ LEAD TAPE LENGTH
 トップテープ リーダー部 TOP TAPE LEADER PART (φ80) 175 ±25
 トップテープ 未接着部 TOP TAPE NON-BONDED PART 25 ±5
- トップテープの剥離強度：(剥離方向は下図参照)
 0.1N~1.3N {10gf~130gf} 尚、本規格値は、出荷時に適用。
 (但し、輸送時に剥離が発生しない事。)
 PEELING OFF FORCE OF TOP TAPE
 0.1N~1.3N{10gf~130gf} (PEELING DIRECTION AS SHOWN IN FOLLOWING FIG.)
 THIS REQUIREMENT SHOULD BE APPLIED AT SHIPMENT
 PEEL OFF SHOULD NOT BE ALLOWED,
 DURING TRANSPORTATION
- 材料
 キャリアテープ：ポリプロピレン (PP) MATERIAL CARRIER TAPE:POLYPROPYLENE
 トップテープ：PET, PE, PEF TAPE:PET,PE,PEF
 リール：ポリスチレン (PS) REEL:POLYSTYRENE(PS)
 <リサイクル材を含む> <RECYCLE MATERIAL CONTAINED>
- 本製品は 53307-***91 の鉛フリー品である。
 THIS PRODUCT IS LEAD FREE OF 53307-***91

16	21.4	17.4	9.3	7.5	53307-1871	18
			8.5	6.7	53307-1671	16
			7.7	5.9	53307-1471	14
			6.9	5.1	53307-1271	12
			6.1	4.3	53307-1071	10

53307-***71	キャリアテープ幅	D	C	(B)	(A)	MATERIAL. NO.	極数
MODEL. NO.	CARRIER TAPE WIDTH						CIRCUIT

REVISED EC NO: J2006-0187 DRWN: OTANI CHKD: NUKITA APPR: NUKITA	DESCRIPTION 2005/08/01 2005/08/02 2005/08/18	GENERAL TOLERANCES (UNLESS SPECIFIED)		DIMENSION STYLE MM ONLY		SCALE ---	DESIGN UNITS METRIC	THIRD ANGLE PROJECTION		
		10 UNDER	±0.2	DRAWN BY	DATE	TITLE				
		10 OVER 30 UNDER	±0.25	HSHIMABUKURO	2004/02/09	0.8 B-TO-B WAFER ASSY SMT EMBSTP PKG -LEAD FREE-				
		30 OVER	±0.3	KTOJO	2004/02/09	MOLEX INCORPORATED				
		ANGULAR	±3 °	APPROVED BY	DATE	MATERIAL NO.	DOCUMENT NO.	SHEET NO.		
DRAFT WHERE APPLICABLE MUST REMAIN WITHIN DIMENSIONS		SEE CHART		SD-53307-014		1 OF 2				
THIS DRAWING CONTAINS INFORMATION THAT IS PROPRIETARY TO MOLEX INCORPORATED AND SHOULD NOT BE USED WITHOUT WRITTEN PERMISSION										

10 9 8 7 6 5 4 3 2 1

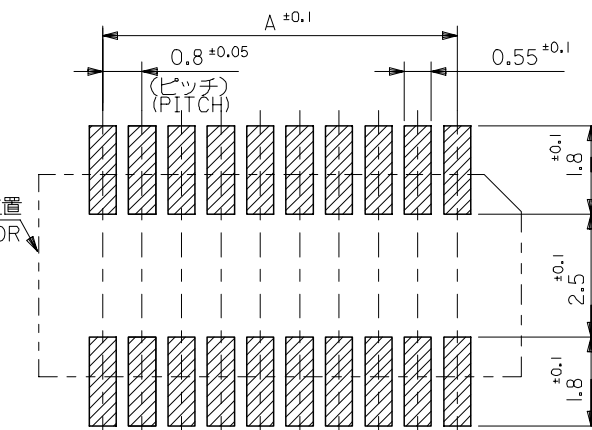
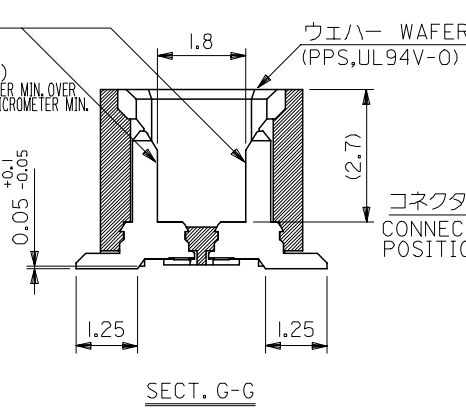
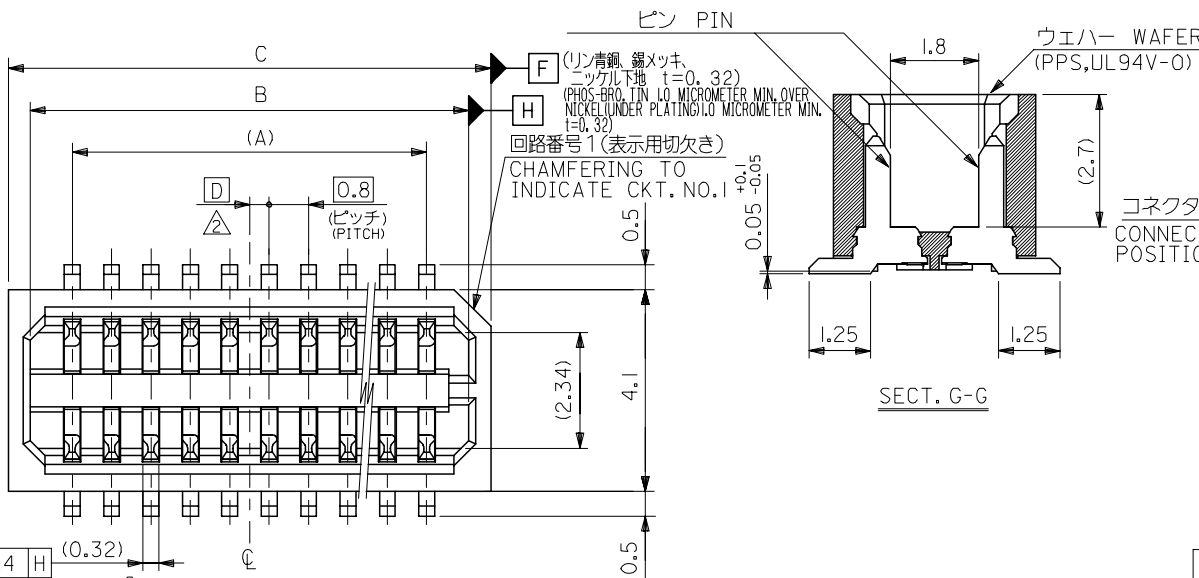


32	37.4	33.4	18.1	16.3	53307-4071	40
24	29.4	25.4	16.5	14.7	53307-3671	36
			15.7	13.9	53307-3471	34
			14.1	12.3	53307-3071	30
			13.3	11.5	53307-2871	28
			12.5	10.7	53307-2671	26
			11.7	9.9	53307-2471	24
			10.9	9.1	53307-2271	22
			10.1	8.3	53307-2071	20

53307-***71	キャリアテープ幅	D	C	(B)	(A)	MATERIAL. NO.	極数
MODEL NO.	CARRIER TAPE WIDTH						CIRCUIT

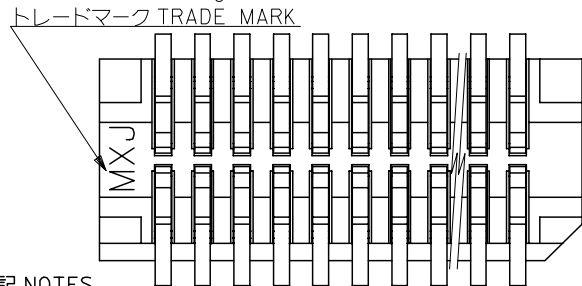
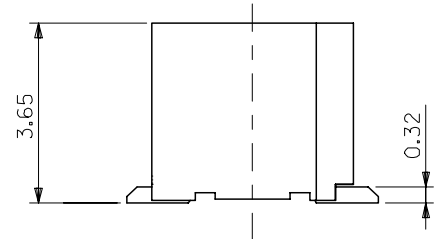
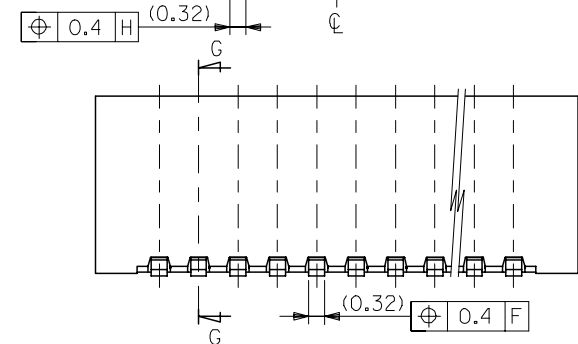
REVISED EC NO: J2006-0187 DRWN: YOTANI CHK: DANUKITA APPR: NUKITA 2005/08/01 2005/08/02 2005/08/18	GENERAL TOLERANCES (UNLESS SPECIFIED)		DIMENSION STYLE MM ONLY		SCALE ---	DESIGN UNITS METRIC	THIRD ANGLE PROJECTION
	10 UNDER	±0.2	DRAWN BY	DATE	TITLE		
	10 OVER 30 UNDER	±0.25	HSHIMABUKURO	2004/02/09	0.8 B-TO-B WAFER ASSY SMT EMBSTP PKG -LEAD FREE-		
	30 OVER	±0.3	CHECKED BY	DATE	MOLEX INCORPORATED		
	ANGULAR	±3 °	KTOJO	2004/02/09	MATERIAL NO. SEE CHART		
DRAFT WHERE APPLICABLE MUST REMAIN WITHIN DIMENSIONS		APPROVED BY	DATE	DOCUMENT NO.		SHEET NO.	
		MSASAO	2004/02/09	SD-53307-014		2 OF 2	
THIS DRAWING CONTAINS INFORMATION THAT IS PROPRIETARY TO MOLEX INCORPORATED AND SHOULD NOT BE USED WITHOUT WRITTEN PERMISSION							

10 9 8 7 6 5 4 3 2 1



参考基板レイアウト (マウント面)
P.C.B. PATTERN LAYOUT (REF.) (MOUNT AREA)

0.4	17.8	16.9	15.2	53307-4028	40
0.8	17.0	16.1	14.4	-3828	38
0.4	16.2	15.3	13.6	-3628	36
0.8	15.4	14.5	12.8	-3428	34
0.4	14.6	13.7	12.0	-3228	32
0.8	13.8	12.9	11.2	-3028	30
0.4	13.0	12.1	10.4	-2828	28
0.8	12.2	11.3	9.6	-2628	26
0.4	11.4	10.5	8.8	-2428	24
0.8	10.6	9.7	8.0	-2228	22
0.4	9.8	8.9	7.2	-2028	20
0.8	9.0	8.1	6.4	-1828	18
0.4	8.2	7.3	5.6	-1628	16
0.8	7.4	6.5	4.8	-1428	14
0.4	6.6	5.7	4.0	-1228	12
0.8	5.8	4.9	3.2	53307-1028	10



注記 NOTES

1. 嵌合相手: 52465,52588
MATE WITH: 52465,52588 SERIES
2. ウェハーの ϕ から隣接するピンの ϕ 迄の位置を示す。
SHOW POSITION FROM ϕ OF WAFER TO ϕ OF ADJACENT PINS.
3. 本製品は 53307-**-27 の鉛フリー品である。
THIS PRODUCT IS LEAD FREE OF 53307-**-27.

REVISED EC NO: J2006-1257 DRWN: OTANI CHKD: NUKITA APPR: NUKITA		DESCRIPTION GENERAL TOLERANCES (UNLESS SPECIFIED) 10 UNDER ±0.2 10 OVER 30 UNDER ±0.25 30 OVER ±0.3 ANGULAR ±3 ° DRAFT WHERE APPLICABLE MUST REMAIN WITHIN DIMENSIONS		DIMENSION STYLE MM ONLY DRAWN BY DATE HSHIMABUKURO 2004/02/09 CHECKED BY DATE KTOJO 2004/02/09 APPROVED BY DATE MSASAO 2004/02/09		SCALE ---		DESIGN UNITS METRIC		THIRD ANGLE PROJECTION	
53307-**-28 MODEL NO.		D		C		B		A		MATERIAL NO. 極致 CKT.	
TITLE 0.8 B/B CONN WAFER ASSY ST SMT (SHEET 1 OF 2) -LEAD FREE-										MOLEX INCORPORATED	
SEE CHART										DOCUMENT NO. SD-53307-015	
SHEET NO. 1 OF 2										THIS DRAWING CONTAINS INFORMATION THAT IS PROPRIETARY TO MOLEX INCORPORATED AND SHOULD NOT BE USED WITHOUT WRITTEN PERMISSION	

10 9 8 7 6 5 4 3 2 1

F

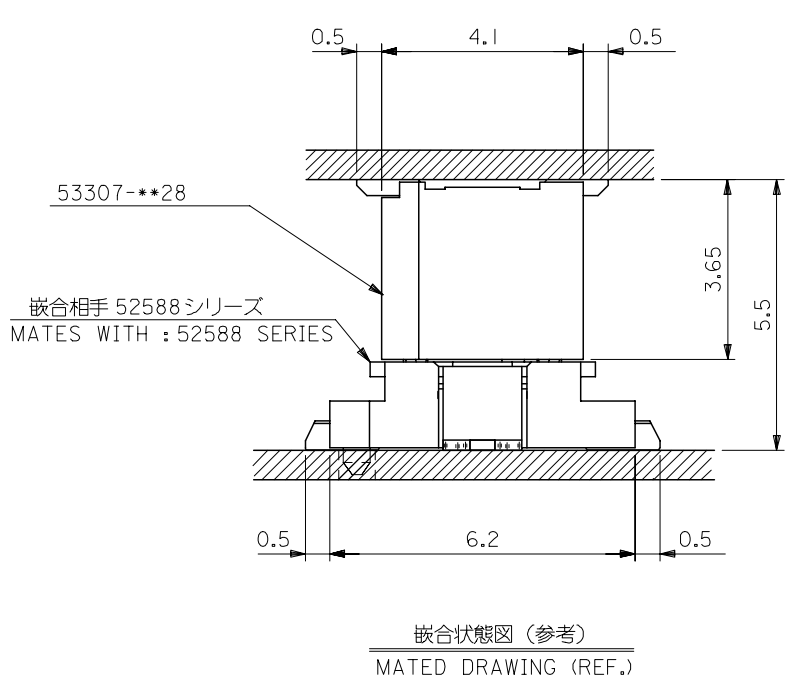
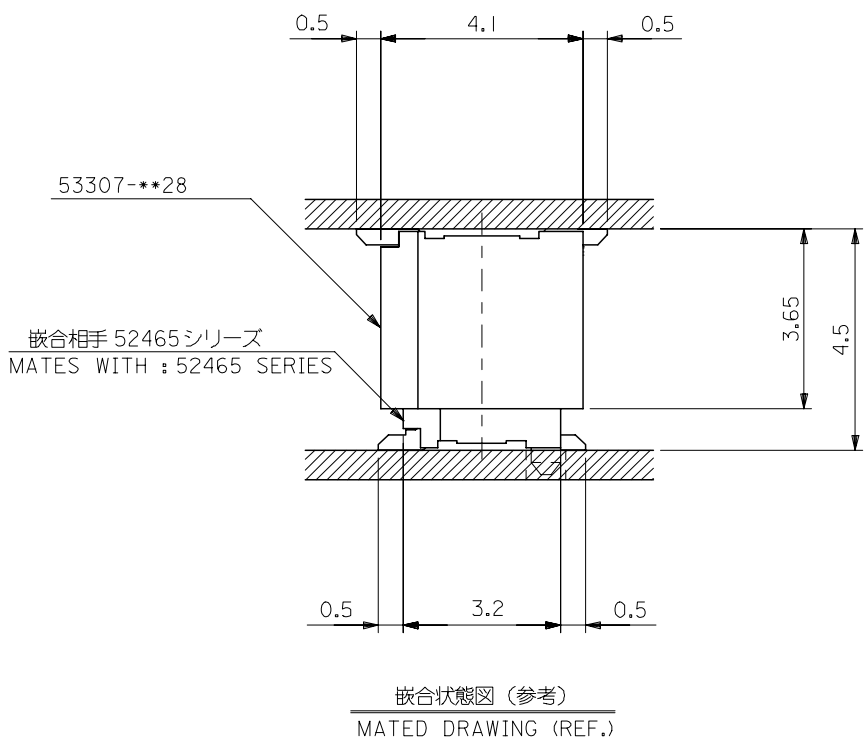
E

D

C

B

A



嵌合状態図 (参考)
MATED DRAWING (REF.)

嵌合状態図 (参考)
MATED DRAWING (REF.)

53307-***28 | MODEL NO.

REVISED EC NO: J2006-1257 DRWN: OTANI 2005/10/25 CHKD: NUKITA 2005/10/25 APPR: NUKITA 2005/10/31	GENERAL TOLERANCES (UNLESS SPECIFIED)		DIMENSION STYLE	SCALE	DESIGN UNITS	THIRD ANGLE PROJECTION		
	10 UNDER ±0.2		MM ONLY	---	METRIC			
	10 OVER 30 UNDER ±0.25		DRAWN BY DATE	TITLE				
	30 OVER ±0.3		HSHIMABUKURO 2004/02/09	0.8 B/B CONN.WAFER ASS ST.SMT (2/2) -LEAD FREE-				
	ANGULAR ±3 °		CHECKED BY DATE	MOLEX INCORPORATED				
DRAFT WHERE APPLICABLE MUST REMAIN WITHIN DIMENSIONS		KTOJO 2004/02/09	MATERIAL NO.		DOCUMENT NO.	SHEET NO.		
		APPROVED BY DATE	© SEE CHART		SD-53307-015	2 OF 2		
		MSASAO 2004/02/09	THIS DRAWING CONTAINS INFORMATION THAT IS PROPRIETARY TO MOLEX INCORPORATED AND SHOULD NOT BE USED WITHOUT WRITTEN PERMISSION					