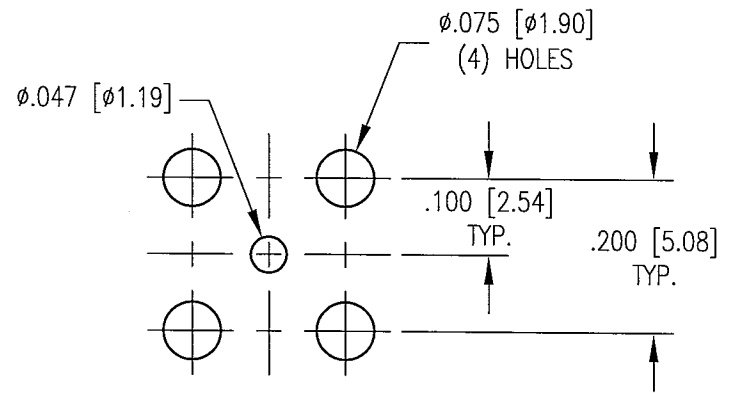
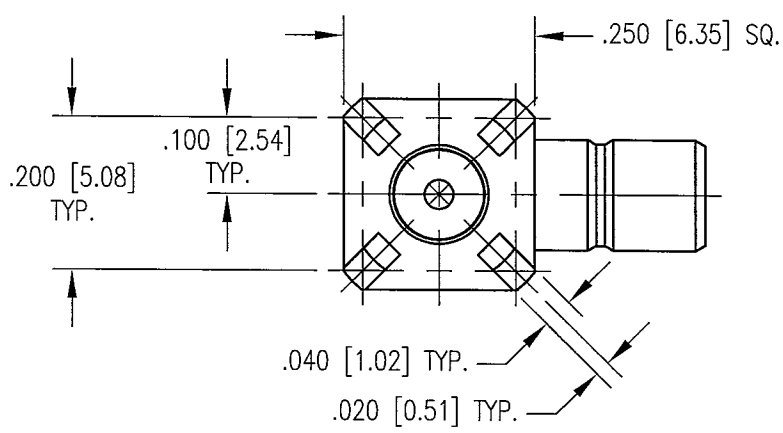
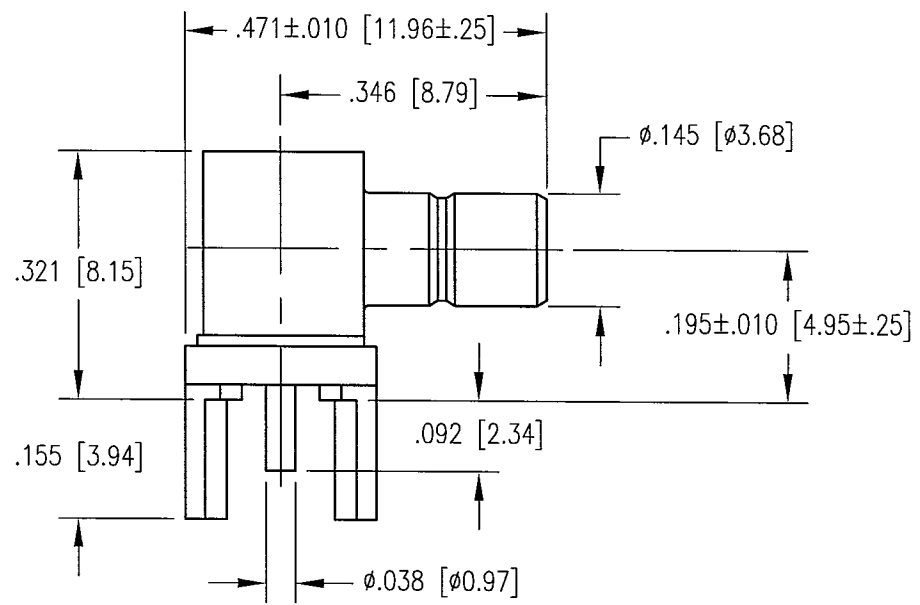


REV	DESCRIPTION	BY DATE	APPD
D	ECR 7180	1/9/02	[Signature]



RECOMMENDED MOUNTING HOLE

NOTES:

1. MATERIALS:
 BODY AND CONTACT: BRASS PER ASTM B16
 INSULATOR: TEFLON PER ASTM D1710
2. FINISH:
 BODY: .000015 MIN. GOLD PER MIL-G-45204 OVER
 .000100 MIN. COPPER PER MIL-C-14550
 CONTACT: .000030 MIN. GOLD PER MIL-G-45204 OVER
 .000100 MIN. COPPER PER MIL-C-14550

PER ASME Y14.5M-1994 UNLESS OTHERWISE SPECIFIED: DIMENSIONS ARE IN INCHES [MM]				Litton Winchester/Retconn 400 Park Road Watertown, Connecticut 06795			
TOLERANCES: DECIMALS: .XX ± .01/0.254 .XXX ± .005/0.127 ANGLES ± 2° SCALE: 4:1				TITLE SMB RIGHT ANGLE P.C. MOUNT			
CUSTOMER DRAWING				SHEET 1 1			
DRAWN CPC	DATE 11/12/93	CHECKED DLD	DATE 11/12/93	REV. D	PART NO. 513-060-0049J		
APPROVED DLD	DATE 11/12/93	APPROVED DLD	DATE 11/12/93				