

6

5

4

3

2

1

MATERIAL AND FINISH:

Insulator: Polycarbonate, UL-94V-0 rated
Contacts: Brass, Tin plated

ELECTRICAL SPECIFICATIONS:

Current rating: 10 A/15 A
Voltage rating: 250 VAC
Insulation resistance: 100 Mohm min. at 500 VDC
Dielectric withstanding voltage: 2000 VAC for one minute

ORDERING CODE:


43R04-3 1 -
 1 2 3

1) COLOR


- 1 = BLACK
2 = GRAY

2) ELECTRICAL CIRCUIT CONFIGURATION

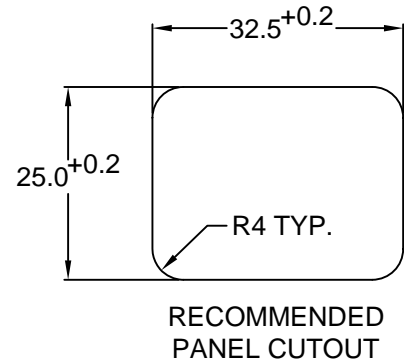
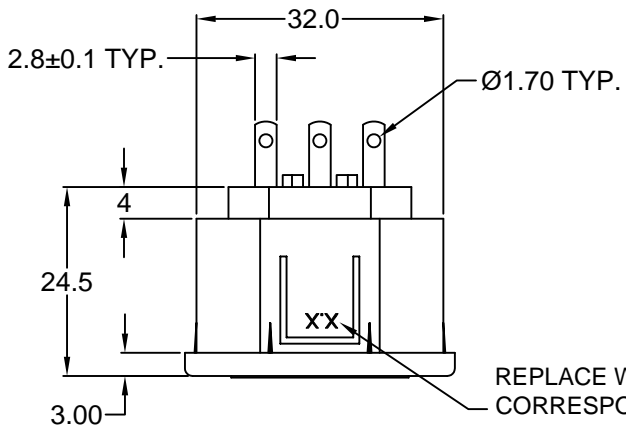
1 = 10A 250V 70°C 

15A 250V 70°C
2+GROUND 

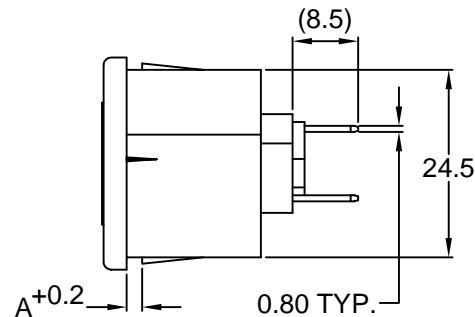
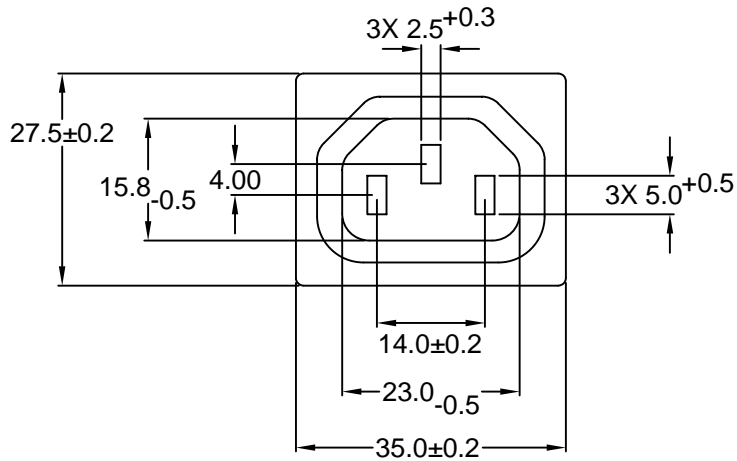


2 = 10A 250V 120°C
15A 250V 120°C 
2+GROUND

3) PANEL THICKNESS



REPLACE WITH CORRESPONDING PANEL THICKNESS



RoHS COMPLIANT

REV	DATE	CHANGE	CHKG	CHK	APPR

P/N	A	MAX. PANEL THICKNESS
43R04-3X1X-150	1.5	1.5
43R04-3X1X-200	2.0	2.0
43R04-3X1X-250	2.5	2.5
ADDITIONAL PANEL THICKNESS AVAILABLE ON REQUEST		

TOLERANCE UNLESS OTHERWISE SPECIFIED			
X	± 1		
X.X	± 0.4		
X.XX	± 0.20		
DRAWN BY	DT	DATE:	9/24/03
CHECK BY	PB	DATE:	9/24/03
APPR BY		DATE:	

Power Dynamics, Inc.
Phone: 973 560-0019 Whippany, New Jersey Fax: 973 560-0076

PART: 10A/15A IEC 60320 APPL. OUTLET; SOLDER TERMINALS; SNAP-IN, PANEL MOUNT

43R04-3X1X-XXX

SIZE: A SCALE: NTS ALL DIMENSIONS FOR REFERENCE ONLY DIMENSIONS ARE IN MILLIMETERS

SHEET 1 of 1 REV: