

**PLEASE CHECK WWW.MOLEX.COM FOR LATEST PART INFORMATION**

**Part Number:** **0014564141**  
**Status:** **Active**  
**Overview:** [cgrid\\_sl\\_products](#)  
**Description:** 2.54mm (.100") Pitch SL™ Insulation Displacement Connector Assembly, Female, Single Row, Version D, Back Ribs, Wire Size 24, 0.76µm (30µ") Gold (Au), 14 Circuits

**Documents:**

[3D Model](#) [Product Specification PS-70400 \(PDF\)](#)  
[Drawing \(PDF\)](#) [RoHS Certificate of Compliance \(PDF\)](#)

**Agency Certification**

CSA LR19980  
 UL E29179

**General**

Product Family Ribbon Cable / Wire Trap Connectors  
 Series [70400](#)  
 Comments Terminals Preloaded  
 Component Type Housing  
 Glow-Wire Compliant No  
 Overview [cgrid\\_sl\\_products](#)  
 Product Name SL™

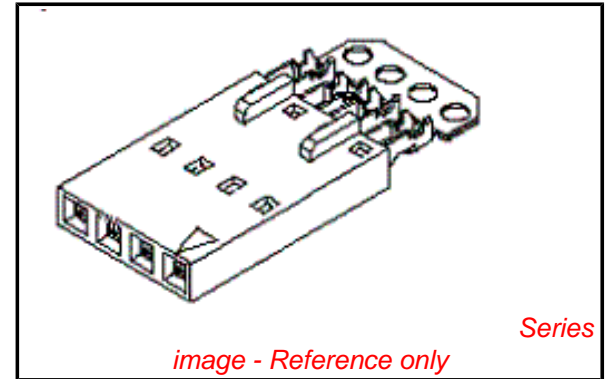
**Physical**

Circuits (Loaded) 14  
 Color - Resin Black  
 Durability (mating cycles max) 50  
 Entry Angle Vertical  
 Flammability 94V-0  
 Lock to Mating Part None  
 Material - Metal Phosphor Bronze  
 Material - Plating Mating Gold  
 Material - Plating Termination Tin  
 Material - Resin Polyester Alloy  
 Number of Rows 1  
 PCB Retention None  
 Packaging Type Tube  
 Pitch - Mating Interface (in) 0.100 In  
 Pitch - Mating Interface (mm) 2.54 mm  
 Plating min: Mating (µin) 30  
 Plating min: Mating (µm) 0.75  
 Plating min: Termination (µin) 75  
 Plating min: Termination (µm) 1.875  
 Polarized to Mating Part Yes  
 Stackable Yes  
 Surface Mount Compatible (SMC) N/A  
 Temperature Range - Operating -40°C to +105°C  
 Termination Interface: Style IDT or Pierce  
 Wire Insulation Diameter 1.35mm (.053") max.  
 Wire Size AWG 24  
 Wire/Cable Type Discrete Wire, Ribbon Cable

**Electrical**

Current - Maximum per Contact 3A  
 Voltage - Maximum 250V

**Material Info**



**EU RoHS**  
**ELV and RoHS**  
**Compliant**  
**REACH SVHC**  
**Not Reviewed**  
**Halogen-Free**  
**Status**  
**Not Reviewed**

**China RoHS**



**Need more information on product environmental compliance?**

Email [productcompliance@molex.com](mailto:productcompliance@molex.com)  
 For a multiple part number RoHS Certificate of Compliance, [click here](#)

Please visit the [Contact Us](#) section for any non-product compliance questions.

**Search Parts in this Series**

[70400Series](#)

**Mates With**

[70004](#) Interim Clip (Single Row), [70013](#) Interim Clip (Dual Row)

**Use With**

[7307](#) Tinned 28AWG, [7767](#) Topcoat 28AWG, [24241](#) Tinned 26AWG, [8996](#) Topcoat 26AWG, [24226](#) Tinned 24AWG, [8997](#) Topcoat 24AWG, [24369](#) High Flex 26AWG, [24389](#) High Flex 24AWG

**Application Tooling | FAQ**

*Tooling specifications and manuals are found by selecting the products below. Crimp Height Specifications are then contained in the Application Tooling Specification document.*

**Global**

| Description                   | Product #                  |
|-------------------------------|----------------------------|
| Hawk Semi-Automatice Discrete | <a href="#">0011201337</a> |

Old Part Number

70400-1133

**Reference - Drawing Numbers**

Product Specification

Sales Drawing

PS-70400

SDA-70400-1121-1144

Wire Terminator for  
SL - Rebuilt US\*

Hawk™ Ribbon 0623003000

Cable Terminator for  
SL without Break-off

Hawk™ Semi- 0623004900

Automatic Discrete

Wire Terminator

for SL - Rebuilt CE

Approved\*

Hawk™ Flat Flex 0623005200

Cable Terminator for  
SL with Break-off

Hawk™ Ribbon 0623005300

Cable Terminator

with for SL Break-off

IDT Discrete 0621000700

Handtool Module for

SL™

Hawk™ Semi- 0623003100

Automatic Discrete

Wire Terminator for

SL

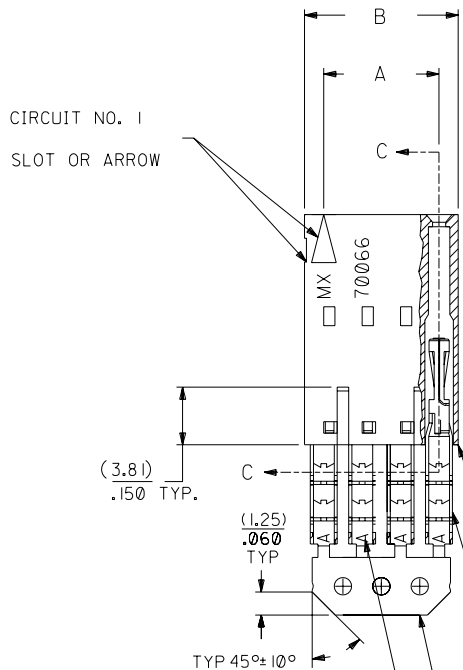
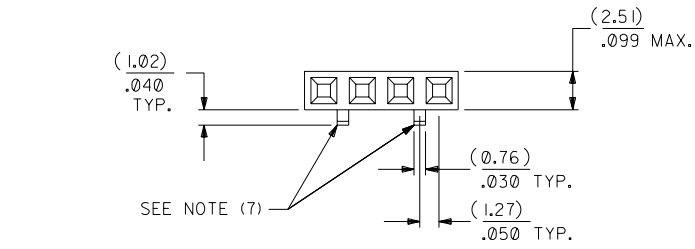
This document was generated on 05/21/2010

**PLEASE CHECK [WWW.MOLEX.COM](http://WWW.MOLEX.COM) FOR LATEST PART INFORMATION**

# OPTION D

## NOTES:

- 1) TO BE USED WITH (24) AWG. STRANDED WIRE WITH (1.35)/.053 DIA. MAX. INSULATION.
- 2) SEE CHART FOR CIRCUIT SIZES.
- 3) STANDARD PACKAGING PER PK-70873-0001. OPTIONAL PACKAGING MAY BE AVAILABLE, REQUEST DWG. PK-70400
- 4) PARTS STACKABLE END TO END ON (2.54)/.100 CENTERS.
- 5) REFER TO PRODUCT SPECIFICATION: PS-70400.
- 6) SEE DWG. SDA-70400-\*\*\*\* (SHT. 5) FOR OPTIONAL HOUSING DETAILS.
- 7) 4 CIRCUIT SHOWN. 3 - 25 CKT'S. HAVE (2) RIBS.
- 8) TO MATE WITH MOLEX PART NO'S.: 70004-\*\*\*\*, 70013-\*\*\*\*
- 9) 2 CIRCUIT ASSEMBLIES SUPPLIED AS GROUPED PAIRS.



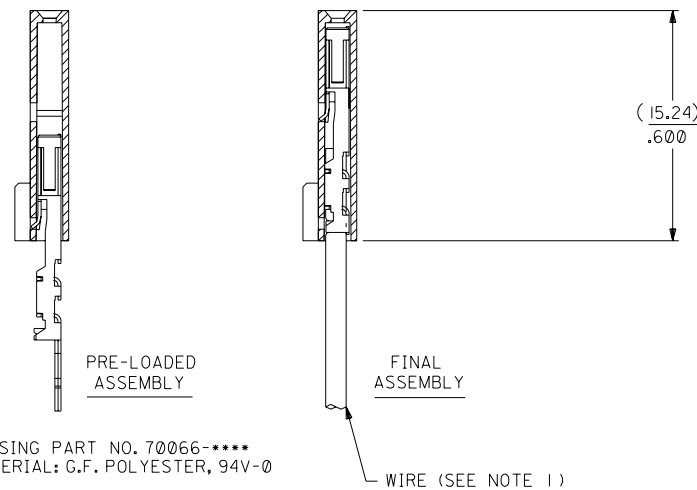
| I.D. SLOT CODE TO WIRE GAUGE CHART |            |
|------------------------------------|------------|
| I.D. SLOT CODE                     | WIRE GAUGE |
| A                                  | 24 AWG.    |

| PLATING CODE (STRIPE ON CARRIER STRIP) |       |
|--|-------|
| PLATING                                | COLOR |
| 30 GOLD                                | RED   |

30 GOLD - .000030 MIN. GOLD IN SELECT AREA WITH .000075 MIN. TIN IN SELECT AREA OVER .000050 MIN. NICKEL OVER-ALL. \*THE PRIMARY SHIPPING CARTON WILL BE LABELED "COMPLIANT TO ROHS DIRECTIVE 2002/95/EC AND ELV ANNEX II OF DIRECTIVE 2000/53/EC". CARTONS WITHOUT THIS LABEL MAY CONTAIN PRODUCT WITH LEAD.



## SECTION C-C



HOUSING PART NO. 70066-\*\*\*\* MATERIAL: G.F. POLYESTER, 94V-0

TERMINAL PART NO. 70028-\*\*\*\* MATERIAL: PHOSPHOR BRONZE PLATING PER ES-88-\*\*\*

WIRE (SEE NOTE 1)

| CKT. SIZE | A                  | B                  | EDP. NO.   | ENG. NO.     |
|-----------|--------------------|--------------------|------------|--------------|
| 2         | ( 2.54 )<br>.100   | ( 5.05 )<br>.199   | 14-56-4021 | A-70400-1121 |
| 3         | ( 5.08 )<br>.200   | ( 7.59 )<br>.299   | 14-56-4031 | A-70400-1122 |
| 4         | ( 7.62 )<br>.300   | ( 10.13 )<br>.399  | 14-56-4041 | A-70400-1123 |
| 5         | ( 10.16 )<br>.400  | ( 12.67 )<br>.499  | 14-56-4051 | A-70400-1124 |
| 6         | ( 12.70 )<br>.500  | ( 15.21 )<br>.599  | 14-56-4061 | A-70400-1125 |
| 7         | ( 15.24 )<br>.600  | ( 17.75 )<br>.699  | 14-56-4071 | A-70400-1126 |
| 8         | ( 17.78 )<br>.700  | ( 20.29 )<br>.799  | 14-56-4081 | A-70400-1127 |
| 9         | ( 20.32 )<br>.800  | ( 22.83 )<br>.899  | 14-56-4091 | A-70400-1128 |
| 10        | ( 22.86 )<br>.900  | ( 25.37 )<br>.999  | 14-56-4101 | A-70400-1129 |
| 11        | ( 25.54 )<br>1.000 | ( 27.91 )<br>1.099 | 14-56-4111 | A-70400-1130 |
| 12        | ( 27.94 )<br>1.100 | ( 30.45 )<br>1.199 | 14-56-4121 | A-70400-1131 |
| 13        | ( 30.48 )<br>1.200 | ( 32.99 )<br>1.299 | 14-56-4131 | A-70400-1132 |
| 14        | ( 33.02 )<br>1.300 | ( 35.53 )<br>1.399 | 14-56-4141 | A-70400-1133 |
| 15        | ( 35.56 )<br>1.400 | ( 38.07 )<br>1.499 | 14-56-4151 | A-70400-1134 |
| 16        | ( 38.01 )<br>1.500 | ( 40.61 )<br>1.599 | 14-56-4161 | A-70400-1135 |
| 17        | ( 40.64 )<br>1.600 | ( 43.15 )<br>1.699 | 14-56-4171 | A-70400-1136 |
| 18        | ( 43.18 )<br>1.700 | ( 45.69 )<br>1.799 | 14-56-4181 | A-70400-1137 |
| 19        | ( 45.72 )<br>1.800 | ( 48.23 )<br>1.899 | 14-56-4191 | A-70400-1138 |
| 20        | ( 48.26 )<br>1.900 | ( 50.77 )<br>1.999 | 14-56-4201 | A-70400-1139 |
| 21        | ( 50.80 )<br>2.000 | ( 53.31 )<br>2.099 | 14-56-4211 | A-70400-1140 |
| 22        | ( 53.34 )<br>2.100 | ( 55.85 )<br>2.199 | 14-56-4221 | A-70400-1141 |
| 23        | ( 55.88 )<br>2.200 | ( 58.39 )<br>2.299 | 14-56-4231 | A-70400-1142 |
| 24        | ( 58.42 )<br>2.300 | ( 60.93 )<br>2.399 | 14-56-4241 | A-70400-1143 |
| 25        | ( 60.96 )<br>2.400 | ( 63.47 )<br>2.499 | 14-56-4251 | A-70400-1144 |

| LTR. | REVISIONS | LTR. | REVISIONS |
|------|-----------|------|-----------|
|      |           |      |           |

| DRWG. BY | CHK'D. BY | SCALE |
|----------|-----------|-------|
| WAZ      | WAZ       | 4:1   |

| DIMENSIONS SHOWN (METRIC) INCH UNLESS OTHERWISE SPECIFIED TOLERANCES: ANGULAR ± 1/2°                                   |            | REVISIONS                     |   | MFG. SH. REV.   |                              |
|--|------------|-------------------------------|---|---|------------------------------|
| 3 PLACE ± .010   | METRIC --- | D                             | REVISED PER ECR NO. U82110 10-17-88 AAB         | ▽ =   | REVISIONS ONLY ON CAD SYSTEM |
| 2 PLACE ± .014   | ± 0.25     | E                             | LEAD FREE UCP2004-1769 RWHITE 04/03/17          | ▽ =   |                              |
| 1 PLACE ---  | ± 0.35     | DI                            | ADD CARRIER CHAMF ECR# U80110 05/20/98 LMCGRATH | ▽ =   |                              |
| DRAFT WHERE APPLICABLE MUST REMAIN WITHIN DIMENSIONS   |            | B                             | REDRAWN ON CAD ECR# 8842 5/8/86 W.Z.            | TITLE ASSEMBLY, SL CONNECTOR (SINGLE ROW- (2.54)/.100 GRID) |                              |
| MOLEX INCORPORATED SHEET NO. DATE 10/10/84   |            | PART NO. SDA-70400-1121-1144  |   | MOLEX INCORPORATED SHEET NO. DATE 10/10/84                  |                              |
| SEE CHART  |            | DRWG. NO. SDA-70400-1121-1144 |   | FILE NAME S10400DX7   |                              |
| THIS DRAWING CONTAINS INFORMATION THAT IS PROPRIETARY TO MOLEX INC. AND SHOULD NOT BE USED WITHOUT WRITTEN PERMISSION. |            | LTR. REVISIONS                |   | DIV. DA   |                              |