

# GSD

KA-59-438-M06

REVISIONS

ISSUE	CHANGES
3	CN 36690 A REDRAWN ME 11/13/95

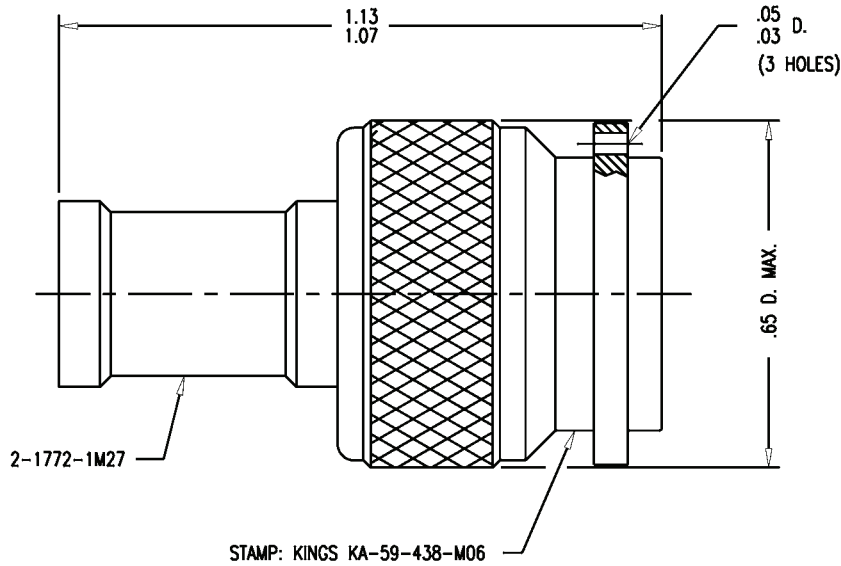
QGS1015

SCALE	4:1
APPROX SURFACE AREA	
USED ON	
REF:	BOEING
<b>PLUG, TNC</b>	
DRAWN	ME DATE 11/13/95
DESIGN	VLS DATE 11/14/95
APPR.	VLS DATE 11/14/95

**KINGS**  
ELECTRONICS CO., INC.  
TUCKAHOE, NEW YORK 10707

KA-59-438-M06

# GSD



NOTES:

- FOR USE WITH RG-142 AND 223 CABLE GROUPS.
- FOR CABLING INSTRUCTIONS SEE CP-465.
- FOR CRIMPING USE DIE KTH-2061.
- INTERFACE PER MIL-STD-348, FIG. 313-1.
- CENTER CONTACT (1-569-19MA9) SUPPLIED UNASSEMBLED.
- MARK PACKAGE: KINGS KA-59-438-M06  
XX XX (DATE CODE)
- MATERIALS:  
INSULATOR: TEFLON, ASTM-D-4894  
K-GRIP SLEEVE: COM'L BRONZE, ASTM-B-140  
OUTER CONTACT: BER. COPPER, ASTM-B-196  
GASKET: SILICONE RUBBER, ZZ-R-765  
C-RING: PHOSPHOR BRONZE, ASTM-B-103  
ALL OTHER METAL PARTS: BRASS, ASTM-B16
- FINISHES:  
CENTER CONTACT: GOLD PLATE, PER MIL-G-45204  
ALL OTHER METAL PARTS: KINGS TARNISH RESISTANT NICKEL FINISH (TR-5)
- ELECTRICAL CHARACTERISTICS:  
NOMINAL IMPEDANCE: 50 Ω  
WORKING VOLTAGE: 500 VOLTS RMS  
FREQUENCY RANGE: DC TO 11 GHz.