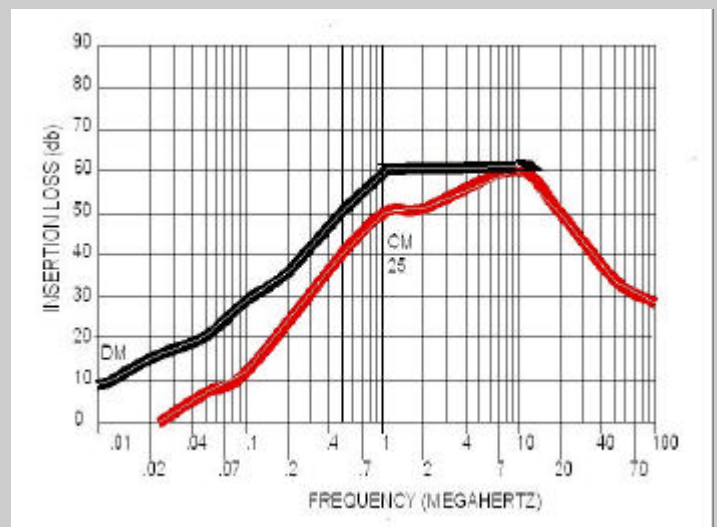
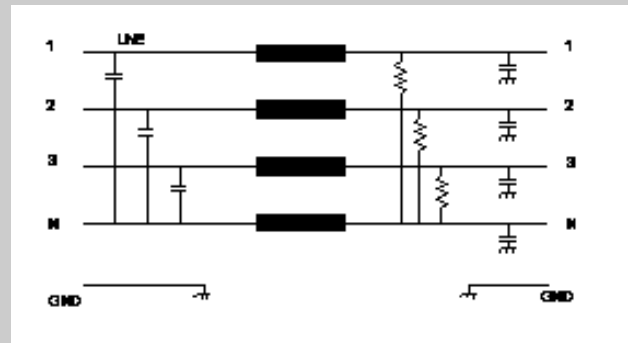


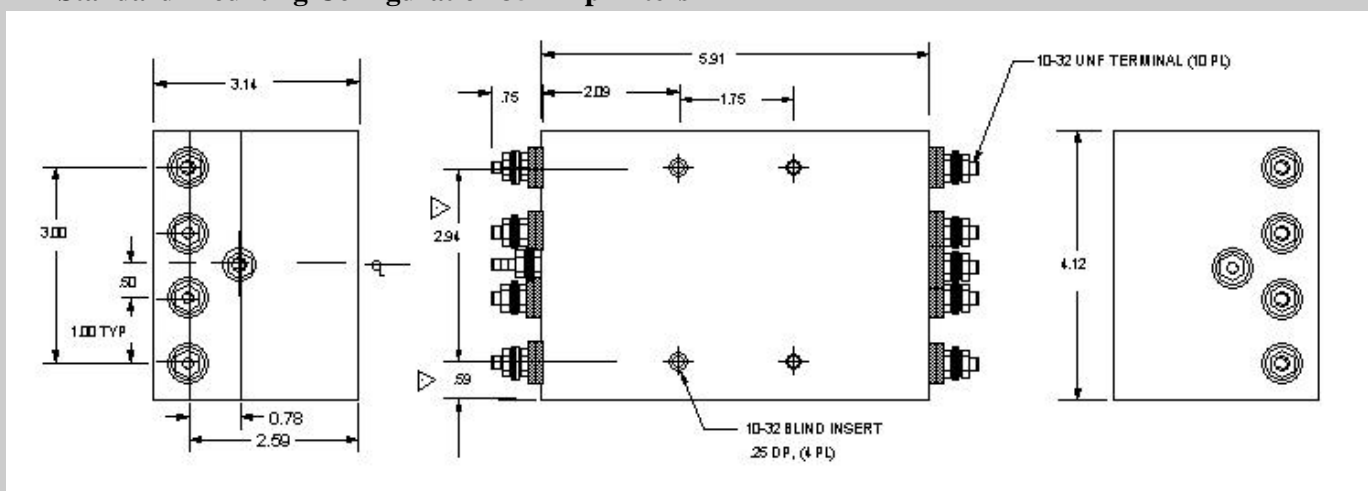
The 851 series filter is designed for use with main frame computers, memory systems, power controllers and other equipment utilising 3 phase power. This filter is designed for use with a wye configuration, but can be used with a delta power input by connecting to terminals 1, 2, and 3 and leaving the neutral (N) terminal unconnected. This filter can be utilised to meet FCC, IEC or the new Mil-Std-461D requirements. It is available in current ratings of 15, 25, or 35 amperes.

Operating Voltage= 250/480 Vac  
 Operating Current Max= 35 amp  
 Operating Frequency= 50/60Hz  
 Temperature Operating= -20 to 50 deg. C  
 Die Withstand (Line to Case)= 1500V~ for 1 Min  
 Die Withstand (Line to Line)= 1500Vdc for 1 min  
 Leakage Current = 1.5 mA @ 250 VAC, 560Hz  
 Discharge after 5.0 sec.= 34V Max

Agency Approvals= UL, CSA, TUV



## Standard Mounting Configuration 35 Amp Filters



See KK-0851-15 & 25 for standard Mounting Configuration on 15 & 25 Amp Filters

USA JMK Inc 15 Caldwell Dr. Amherst, NH 03031 PH: 603 886-4100 FX: 603 886-4115  
 email: info@jmkfilters.com  
 EUR JMK Inc Glasgow G13 1DN Scotland UK PH: 44-(0) 7785310729 FX: 44-(0) 141 589 1884