



Ordering number C12361_HB-2X2

Family	High Bay	FWHM	57 degrees
Type	Lens	Efficiency	89 %
LED	XM-L	cd/lm	0.860
Color	Clear	Gerber File	Available
Diameter	50x50 mm		
Height	8.5 mm		
Style	Square		
Optic Material	PMMA		
Holder Material	-		
Fastening	Screw, pin, glue		
Status	Ready		

NOTE: The typical divergence will be changed by different color, chip size and chip position tolerance. The typical total divergence is the full angle measured where the luminous intensity is half of the peak value.



PRODUCT DATASHEET High Bay series

last update 10/8/2012



GENERAL INFORMATION

- Product series especially designed & optimized for XM-L series of LEDs.
- Special care taken to make light distribution as uniform as possible.
- Lens material optical grade PMMA with high UV and temperature resistance (105 degrees of Celcius / 220 degrees of Fahrenheit). Allows use of high current and temperature conditions.

Please find more information about used material from below:

http://ledil.fi/sites/default/files/Documents/Technical/Material/PMMA%20N%20UL94_Yellow%20Card.pdf

<http://ledil.fi/sites/default/files/Documents/Technical/Material/PMMA%20N%20PLEXIGLAS-Datasheet.pdf>

- Fastening to PCB with appropriate adhesive. By clicking link below you can find Ledil recommended glue options.

http://www.ledil.com/datasheets/DataSheet_GLUES.pdf

NOTE 1: We advise customer to ensure the suitability and sufficiency of the bond in the end product. For example, mechanical stress, vibration and holes on the surface of the circuit board weaken the strength of the glue.

NOTE 2: All surfaces where glue is applied must be clean, dry and free from grease and dirt. If cleaning of PCB surfaces is needed, please follow strictly the cleaning instructions of your LED manufacturer -this is important as cleaning shall under no circumstances damage LEDs or other electronics components on the PCB.

Further note that optical components shall not be cleaned with any chemicals - only micro fiber cloth may be used to remove fingerprints or other traces from handling.

D

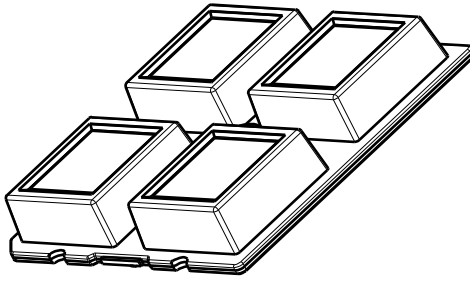
C

B

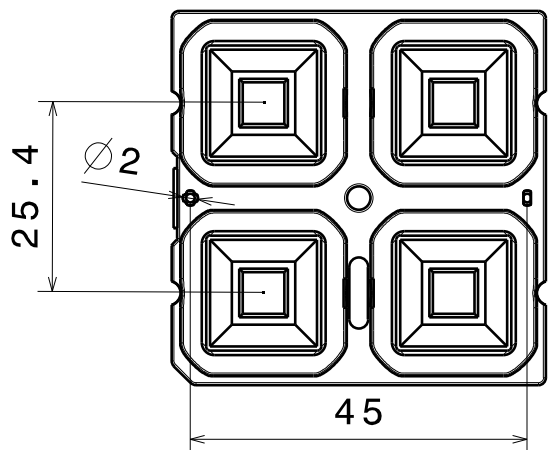
A

4

4



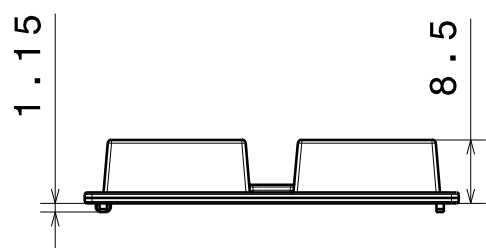
Isometric view



Bottom view

3

3



Front view

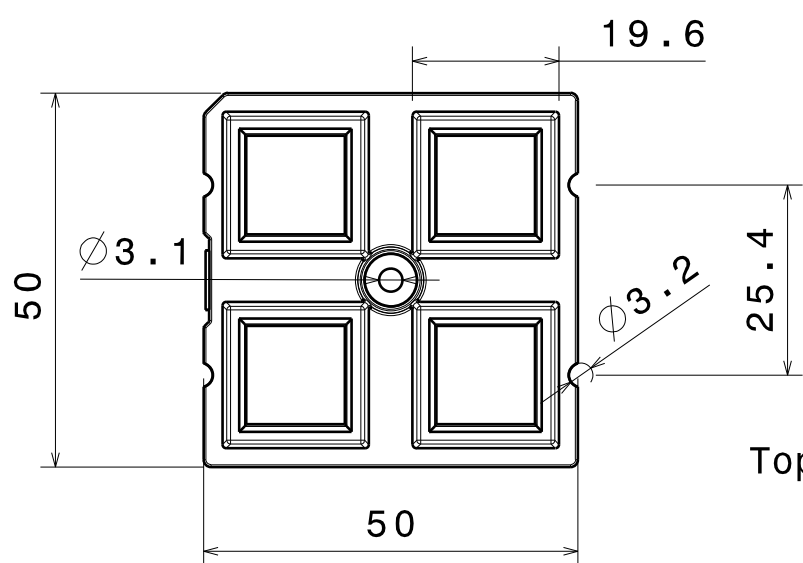
2

2

MATERIALS
 Lens: PMMA

M3.5 screw
 recommended for
 fastening

Fastening also
 with glue



Top view

This drawing is our property.
 It can't be reproduced
 or communicated without
 our written agreement.



Ledil Oy
 Tehdaskatu 13
 FIN-24100 SALO
 Finland

DRAWING TITLE

Datasheet HB-2x2 Lens module

DRAWN BY mav	DATE 21.12.2011
-----------------	--------------------

CHECKED BY pv	DATE 21.12.2011
------------------	--------------------

DESIGNED BY mav	DATE 18.10.2011
--------------------	--------------------

SIZE A4	DRAWING NUMBER C12361	REV 2
SCALE 1:1	WEIGHT (g)	SHEET 1/1

D

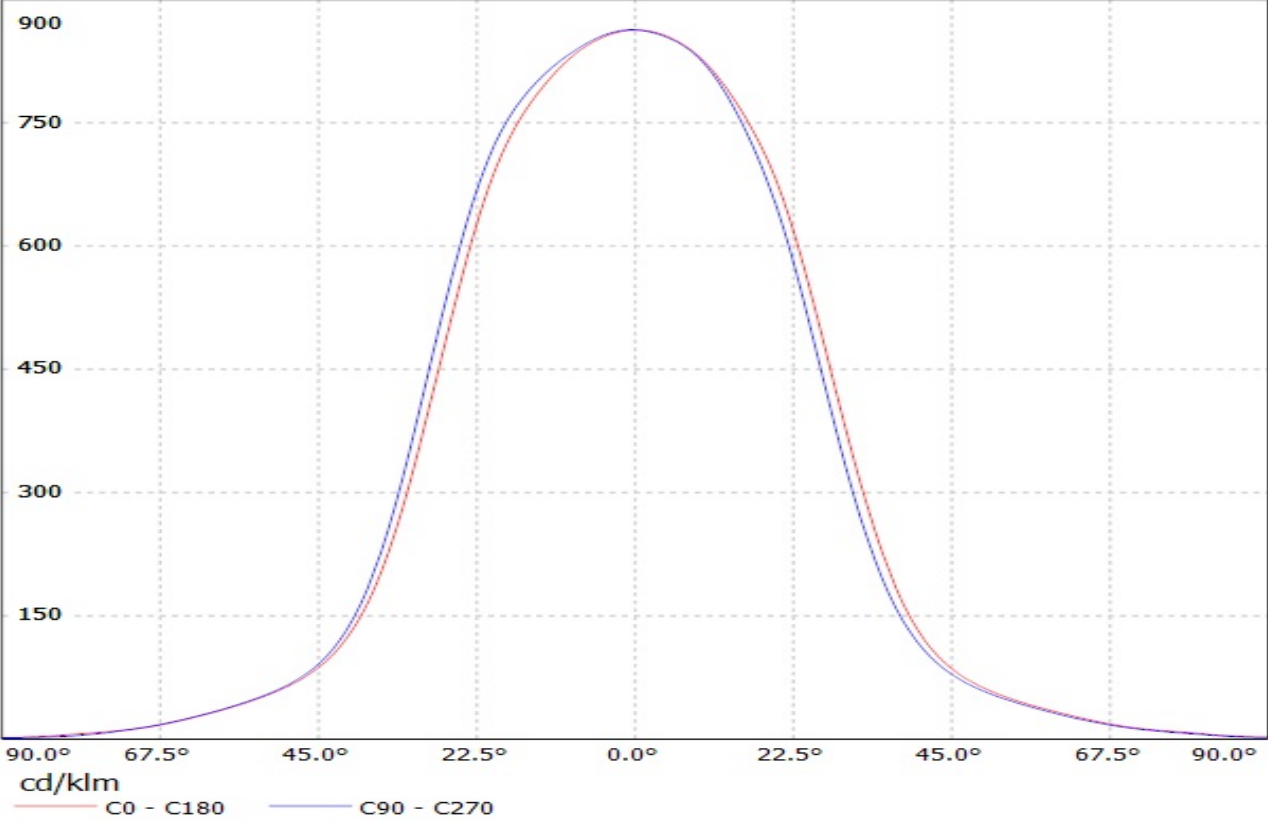
A

1

1

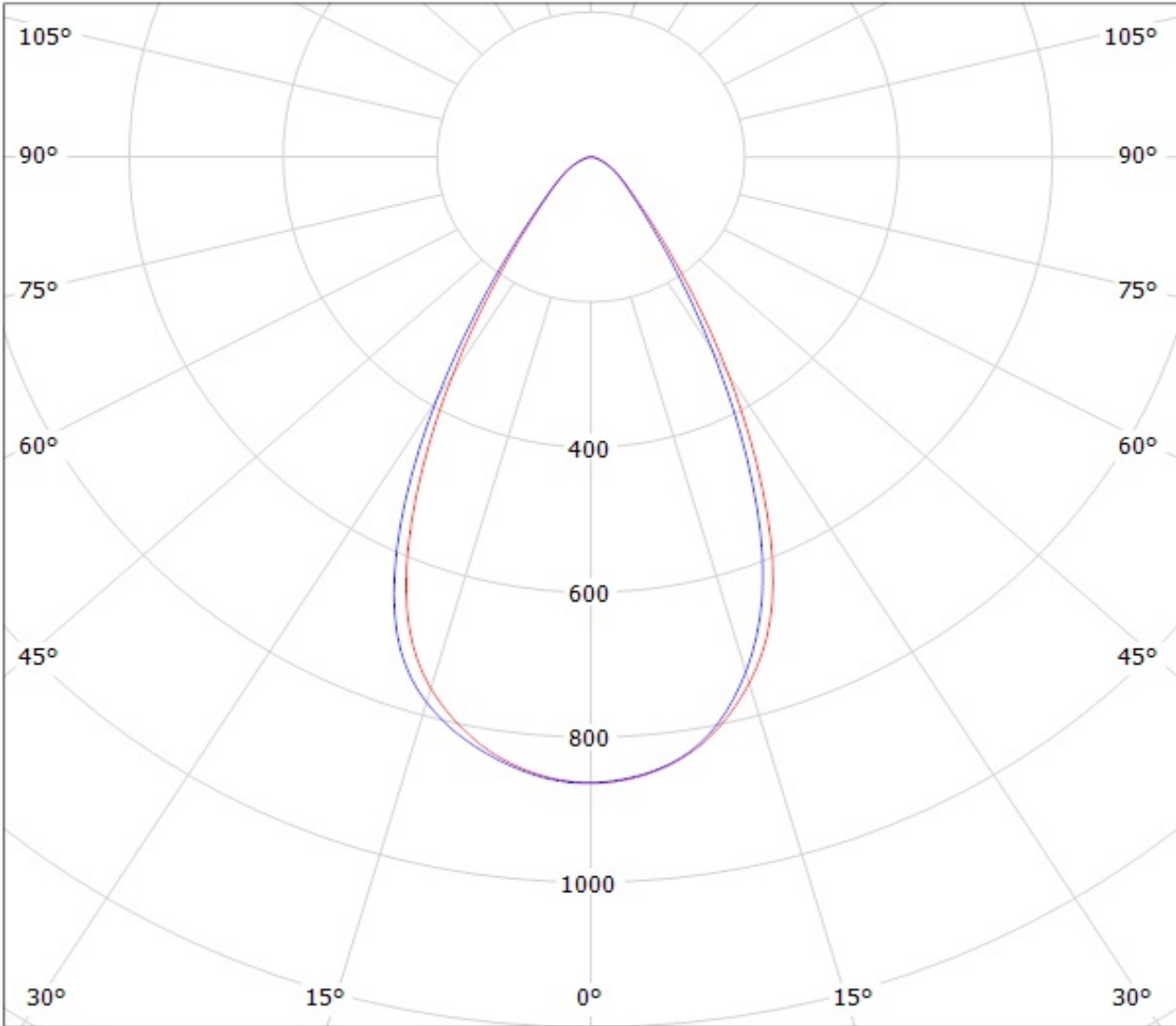
Luminaire: LEDIL OY C12361_HB-2X2 (XM-L) Efficiency=89%

Lamps: 1 x Cree XM-L (395lm @ 250mA)



Luminaire: LEDIL OY C12361_HB-2X2 (XM-L) Efficiency=89%

Lamps: 1 x Cree XM-L (395lm @ 250mA)



cd/klm

— C0 - C180

— C90 - C270