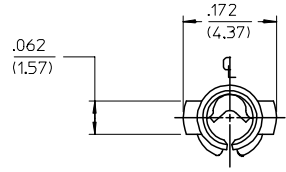


PART NO.	ENG. NO.	SUFFIX WAS
02-09-1134	1377-A(P909)L	-ATL
02-09-5132	1377-A(P228)L	-GL
50-34-8511	1377-A(P154)L	



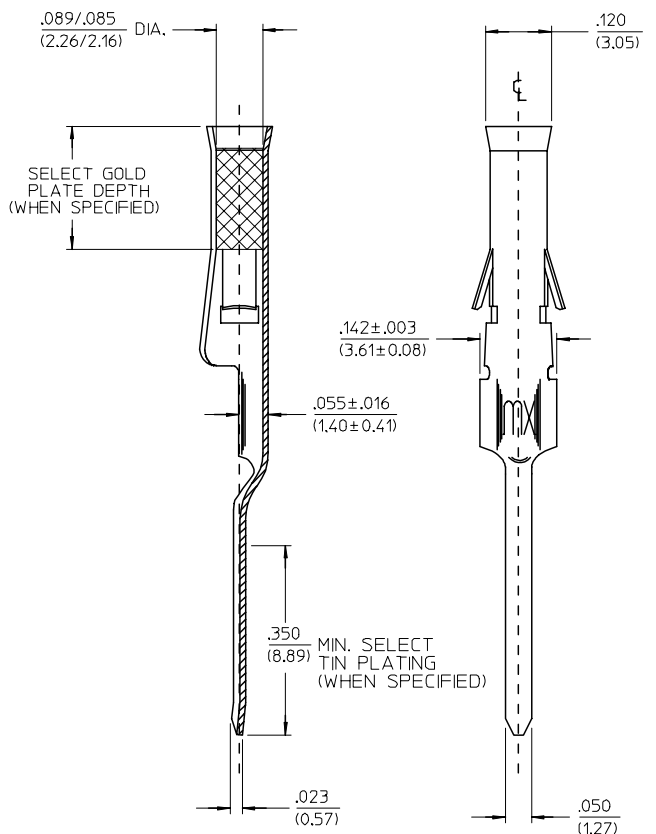
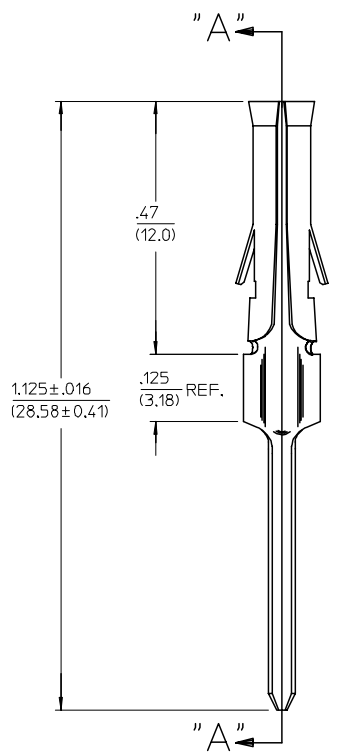
**LEGEND**

1377-A(\*\*\*\*)\*

FORM  
L=LOOSE

P=PREPLATE  
BLANK=POSTPLATE

FINISH CODE



**SECT. "A-A"**

**NOTES:**

- MATERIAL: BRASS
- FINISHES:
  - \* 909 HOT TIN DIP .000100/(0.00254) MIN.
  - \* 154 OVERALL TIN .000100/(0.00254) MIN. OVER .000050/(0.00127) MIN. NICKEL OVERALL.
  - \* 228 SELECT GOLD PLATE .000030/(0.00075) MIN. IN CONTACT AREA, SELECT TIN PLATE .000100/(0.00250) MIN. IN TAIL AREA OVER .000050/(0.00125) NICKEL OVERALL.
  - \* THE PRIMARY SHIPPING CARTON WILL BE LABELED, "COMPLIANT TO RoHS DIRECTIVE 2002/95/EC AND ELV ANNEX II OF DIRECTIVE 2000/53/EC", AND CARTONS WITHOUT THIS LABEL MAY CONTAIN PRODUCT WITH TIN-LEAD.
- PRODUCT SPECIFICATION: PS-02-09
- PACKAGING INFORMATION: NOT AVAILABLE.
- TERMINALS FOR USE WITH 0.093/(2.36) SERIES HOUSINGS.
- RECOMMENDED P.C. BOARD HOLE SIZE IS .062 .002/(1.57 0.05) DIA.
- INSERTION FORCE: 3.5 LBS. MAX. WHEN TERMINAL IS INSERTED INTO AN .093 SERIES HOUSING.

ADD P/N 1377 -AP154L EC NO: UCP2006-2524 DRWN: AELHAG 2006/05/15 CHKD: LSCHMIDT 2006/05/22 APPR: FSMITH 2006/07/14 REV V1	QUALITY SYMBOLS -0 -0	GENERAL TOLERANCES (UNLESS SPECIFIED)		SCALE 1:1	DESIGN UNITS INCH	THIRD ANGLE PROJECTION	REVISE ON CAD ONLY
		4 PLACES ± --- ± ---	3 PLACES ± --- ± .010	2 PLACES ± 0.25 ± .014	1 PLACE ± 0.35 ± ---	DIMENSION STYLE IN/MM	
		ANGULAR ±1/2°		DRAWN BY GC	DATE 1991/02/18	P.C. TAIL TERMINAL FEMALE .093/(2.36)DIA	
		DRAFT WHERE APPLICABLE MUST REMAIN WITHIN DIMENSIONS		CHECKED BY RW	DATE 1991/02/18	MOLEX INCORPORATED	
				APPROVED BY GWF	DATE 1991/02/18	MATERIAL NO. SEE CHART	DOCUMENT NO. SD-1377-*
				THIS DRAWING CONTAINS INFORMATION THAT IS PROPRIETARY TO MOLEX INCORPORATED AND SHOULD NOT BE USED WITHOUT WRITTEN PERMISSION		SHEET NO. 1 OF 1	