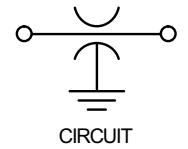
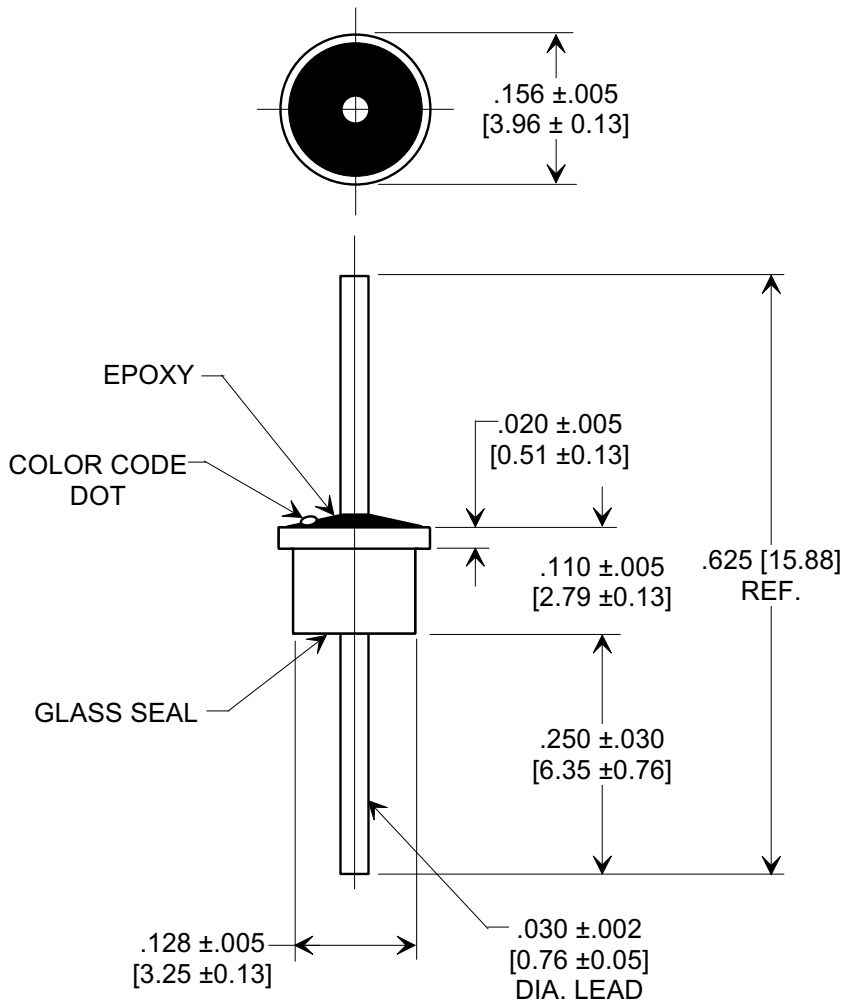


MARKETING SALES DRAWING
 DIMENSIONS IN INCHES - DO NOT SCALE THIS DRAWING
 DIMENSIONS IN METRIC - []

Electrical Testing
 per Tusonix standard
 test plans and Mil-Std-202
 Test Methods.



NOTES:

- Operating temperature range: -55°C to +125°C.
- Gold plated case and lead.
- Epoxy sealed on opposite end from glass seal.
- Max. recommended soldering temperature: 260°C.
See installation recommendations.
- Recommended mounting hole: .135 dia.
- Solder preform available for mounting.
- Tusonix Standard part number: 4300-003.
Tusonix RoHS compliant part number: 4300-003LF.
Customer must specify Standard or RoHS part number when ordering.
- RoHS compliant part marked with additional dark green dot for identification.

Cx (pF)	TOL.	DC WORKING VOLTAGE		DC CURRENT (AMPS)	I.R. MIN.	D.W.V.	MIN. NO LOAD INSERTION LOSS (dB) @ 25° C PER MIL-STD-220					COLOR CODE
		85°C	125°C				1 MHz	10 MHz	100 MHz	1GHz	10 GHz	
2700	GMV	150	100	5	10 G	250 VDC	---	10	25	40	50	RED

X-2015 Rev-0 REVISION RECORD Original Release C.O. 20020514-5-01 S.M. 02-18-05 ADDED NOTES 7 & 8. 20050218-2-02 REVISED NOTES 7 & 8. S.M. 05-23-05 20050511-2-09	0	Title SOLDER MOUNT EMI FILTER Drawn L.E. 05-14-02 Scale 5 X Approved B.Mc. 05-14-02 A 4300-003	
	--TOLERANCES-- Unless Otherwise Specified		
	DECIMAL ±		
	ANGLES ±		
TUSONIX TUCSON, ARIZONA			