

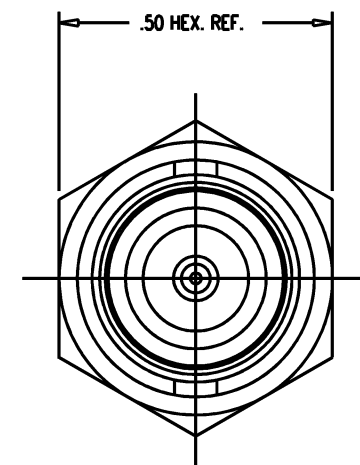
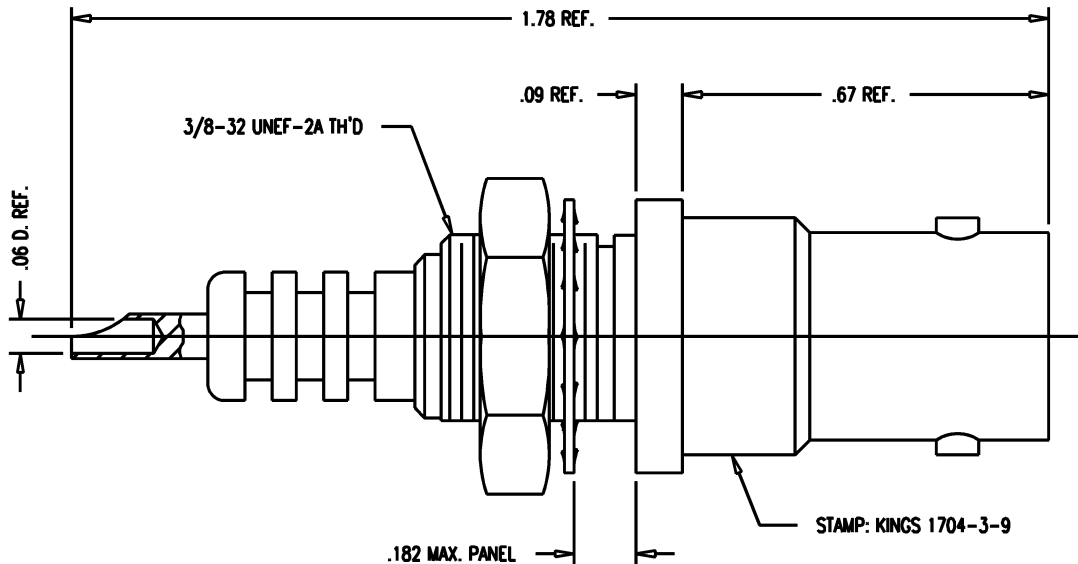
DASH NO.	M CODE	MADE FROM
----------	--------	-----------

GSD

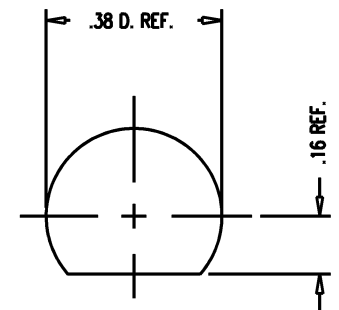
REVISIONS

ISSUE	CHANGES
0	ER 36253 ME 04/27/95

1704-3-9



- NOTES:**
- INTERFACE PER MIL-STD-348, FIG. 314-1.
 - MATERIALS:**
INSULATOR: TEFLON, ASTM-D-4894
LOCKWASHER: PHOSPHOR BRONZE, ASTM-B-103
ALL OTHER METAL PARTS: BRASS, ASTM-B16
 - FINISHES:**
CENTER CONTACT: GOLD PLATE PER MIL-G-45204
ALL OTHER METAL PARTS: KINGS TARNISH RESISTANT NICKEL FINISH (TR-5)
 - ELECTRIAL CHARACTERISTICS:**
NOMINAL IMPEDANCE: NON-CONSTANT
VOLTAGE RATING: 3500 VOLTS RMS
6000 VOLTS DC



MOUNTING HOLE

GSD

QGS0161

SCALE 4:1

APPROX SURFACE AREA

USED ON

REF:

RECEPTACLE, PANEL, SHV, F

DRAWN	ME	04/27/95
DESIGN	AR	04/27/95
APPR.	VLS	04/28/95

KINGS
ELECTRONICS CO., INC.
TUCKAHOE, NEW YORK 10707

1704-3-9