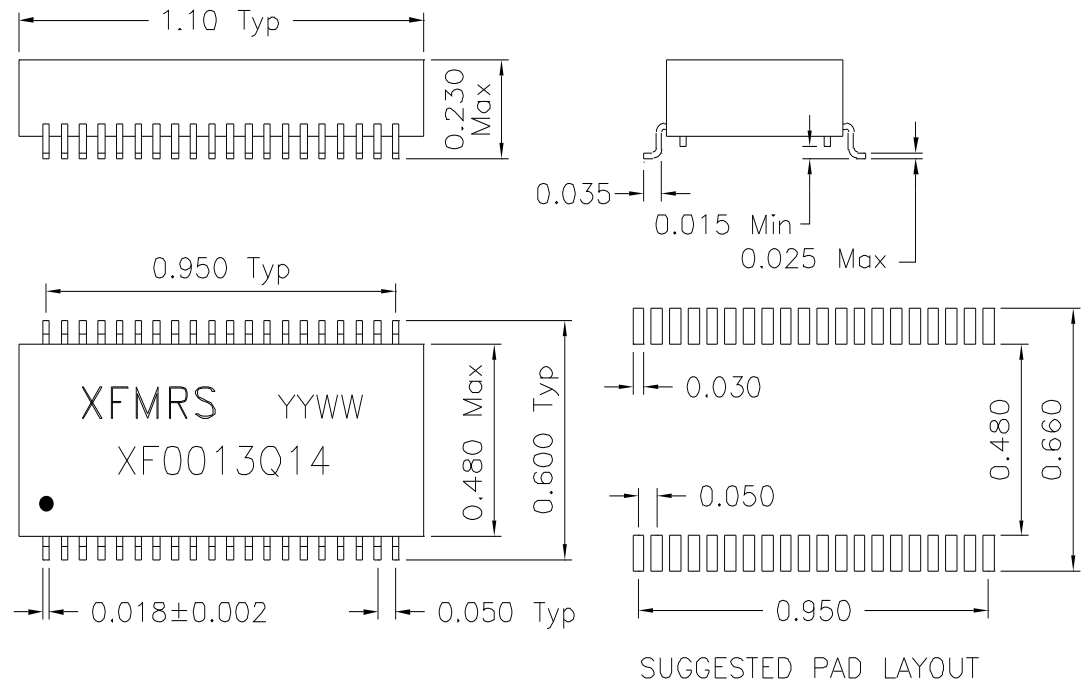
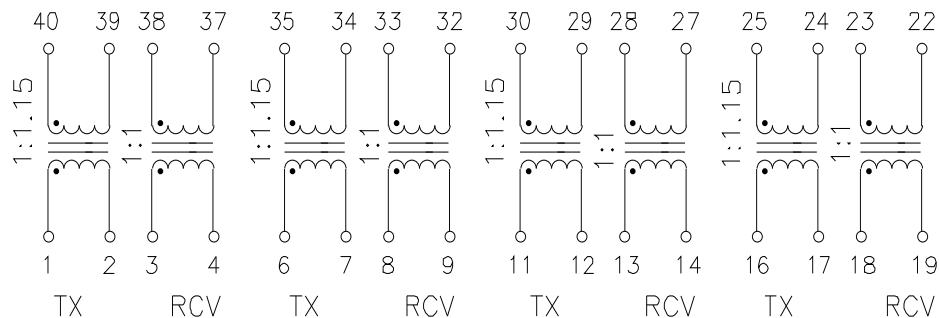


1. Dimensions:



2. Schematic:



3. Electrical Specifications: @25°C

- Isolation: 1500 Vrms (PRI to SEC)
- TX Turns Ratio: 1:1.15 (PRI:SEC)
- RCV Turns Ratio: 1:1 (PRI:SEC)
- PRI OCL: 1.50mH Typical @100KHz 50mV
- Cw/w: 35pF Maximum @100KHz 50mV (PRI/SEC)
- PRI LL: 0.5uH Maximum @100KHz 50mV (SEC Shorted)
- Pri DCR: 0.80 Ohms Max
- Crosstalk: -60dB Min (0.1 to 5MHz)

DOC. REV: A/1

THIS DOCUMENT IS STRICTLY NOT ALLOWED TO BE DUPLICATED WITHOUT AUTHORIZATION

XFMRS Inc	Title: T1/E1/CEPT QUAD PORT		
	UNLESS OTHERWISE SPECIFIED	P/N: XF0013Q14	REV. A
TOLERANCES: .xxx ±0.010	DWN.	李清儿	Feb-05-99
Dimensions in INCH	CHK.	孙悦	Feb-05-99
SHEET 1 OF 1	APP.	Joe Huff	Feb-05-99