

6

5

4

3

2

1


MATERIAL AND FINISH:

Housing: Nylon 66, black, UL-94V-0 rated
Contacts: Bronze, Nickel plated

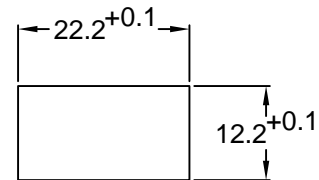
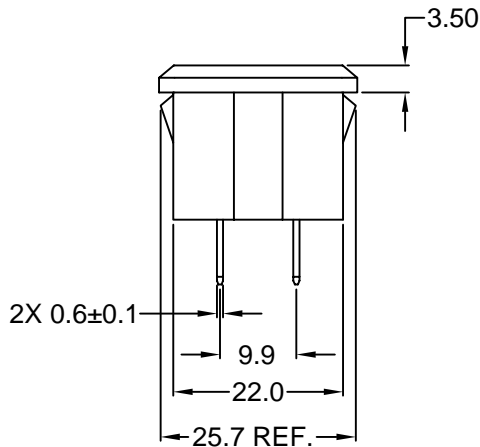
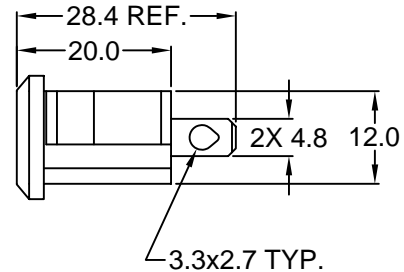
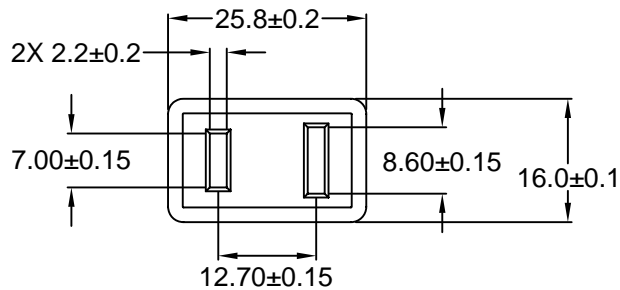
MECHANICAL SPECIFICATIONS:

Insertion force: 5KG max.
Withdrawal force: 1.5KG min.
Life test: 5,000 cycles min. of insertion and withdrawal

ELECTRICAL SPECIFICATIONS:

Rated current: 15A 
Rated voltage: 125VAC
Insulation resistance: 1000 Mohm min. @ 500VDC
Dielectric withstanding voltage: 1500VAC for one minute
Contact resistance: 30 mohm max.

RoHS
COMPLIANT



RECOMMENDED
PANEL CUTOUT
(Panel Thickness 0.7mm ~ 1.0mm)

REV	DATE	CHANGE	CHNG		CHK		APPR	
			GO	TD	GO	TD	PB	PB
A	10/31/01	REVISED / UPDATED						
B	9/9/02	ADD PAN. THICK. RANGE						
C	1/28/04	ADD TERM. THICKNESS TOL.						

TOLERANCE UNLESS OTHERWISE SPECIFIED			
X ± 1			
X.X ± 0.4			
X.XX ± 0.20			
DRAWN BY	GQ	DATE:	07/26/01
CHECK BY	PB	DATE:	07/26/01
APPR BY		DATE:	

Power Dynamics, Inc.
Phone: 973 560-0019 Whippany, New Jersey Fax: 973 560-0076

PART: NEMA 1-15 RECEPTACLE
15A/125VAC

PD-1-15

SIZE: A
SCALE: NTS

ALL DIMENSIONS FOR REFERENCE ONLY
DIMENSIONS ARE IN MILLIMETERS

SHEET 1 of 1
REV: C

6

5

4

3

2

1