

Document Title**512K x8 bit Super Low Power and Low Voltage Full CMOS Static RAM****Revision History**

| <u>Revision No.</u> | <u>History</u> | <u>Draft Date</u> | <u>Remark</u> |
|----------------------------|---|--------------------------|----------------------|
| 0.0 | Initial Draft | July 28, 1999 | Preliminary |
| 1.0 | Finalized - Errata correction - Change for tWP: 55 to 50ns for 70ns product - Change for tWHZ: 25 to 20ns for 70ns product | May 4, 2000 | Final |

The attached datasheets are provided by SAMSUNG Electronics. SAMSUNG Electronics CO., LTD. reserve the right to change the specifications and products. SAMSUNG Electronics will answer to your questions about device. If you have any questions, please contact the SAMSUNG branch offices.

512K x 8 bit Super Low Power and Low Voltage Full CMOS Static RAM

FEATURES

- Process Technology: Full CMOS
- Organization: 512K x8 bit
- Power Supply Voltage: 1.65~2.2V
- Low Data Retention Voltage: 1.0V(Min)
- Three state output status and TTL Compatible
- Package Type: 48-FBGA-6.50x8.50

GENERAL DESCRIPTION

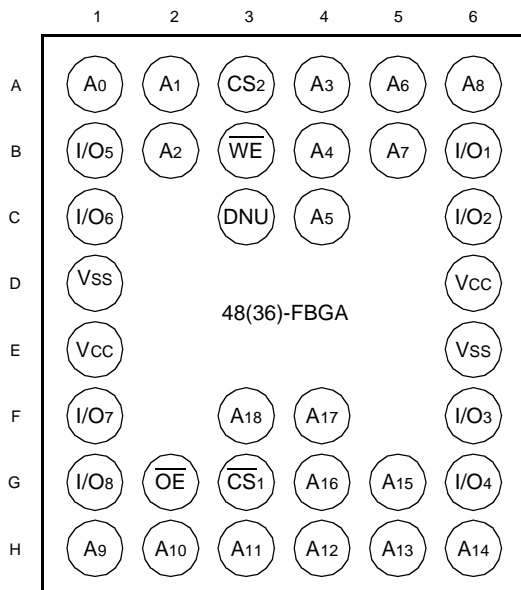
The K6F4008R2C families are fabricated by SAMSUNG's advanced full CMOS process technology. The families support industrial temperature range and Chip Scale Package for user flexibility of system design. The families also supports low data retention voltage for battery back-up operation with low data retention current.

PRODUCT FAMILY

| Product Family | Operating Temperature | Vcc Range | Speed | Power Dissipation | | PKG Type |
|----------------|-----------------------|-----------|------------------------|----------------------|-----------------------|-------------------|
| | | | | Standby (ISB1, Typ.) | Operating (ICC1, Max) | |
| K6F4008R2C-F | Industrial(-40~85°C) | 1.65~2.2V | 70 ¹⁾ /85ns | 0.5µA | 2mA | 48-FBGA-6.50x8.50 |

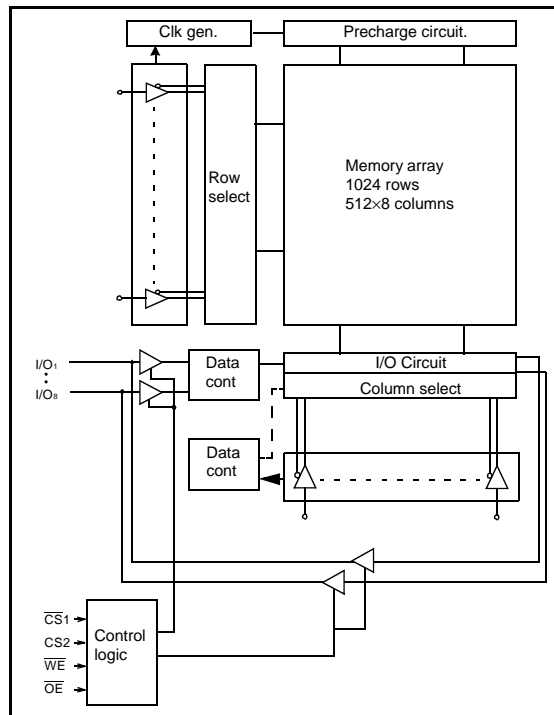
1. The parameter is measured with 30pF test load.

PIN DESCRIPTION



| Name | Function | Name | Function |
|----------|---------------------|-----------|---------------------|
| CS1, CS2 | Chip Select Inputs | I/O1~I/O8 | Data Inputs/Outputs |
| OE | Output Enable Input | Vcc | Power |
| WE | Write Enable Input | Vss | Ground |
| A0~A18 | Address Inputs | DNU | Do Not Use |

FUNCTIONAL BLOCK DIAGRAM



SAMSUNG ELECTRONICS CO., LTD. reserves the right to change products and specifications without notice.

PRODUCT LIST

| Industrial Temperature Products(-40~85°C) | |
|---|-------------------------|
| Part Name | Function |
| K6F4008R2C-FF70 | 48-FBGA, 70ns, 1.8/2.0V |
| K6F4008R2C-FF85 | 48-FBGA, 85ns, 1.8/2.0V |

FUNCTIONAL DESCRIPTION

| CS ₁ | CS ₂ | OE | WE | I/O | Mode | Power |
|-----------------|-----------------|-----------------|-----------------|--------|-----------------|---------|
| H | X ¹⁾ | X ¹⁾ | X ¹⁾ | High-Z | Deselected | Standby |
| X ¹⁾ | L | X ¹⁾ | X ¹⁾ | High-Z | Deselected | Standby |
| L | H | H | H | High-Z | Output Disabled | Active |
| L | H | L | H | Dout | Read | Active |
| L | H | X ¹⁾ | L | Din | Write | Active |

1. X means don't care (Must be in low or high state)

ABSOLUTE MAXIMUM RATINGS¹⁾

| Item | Symbol | Ratings | Unit |
|---|------------------------------------|-------------------------------|------|
| Voltage on any pin relative to V _{ss} | V _{IN} , V _{OUT} | -0.2 to V _{CC} +0.3V | V |
| Voltage on V _{CC} supply relative to V _{ss} | V _{CC} | -0.2 to 2.6V | V |
| Power Dissipation | P _D | 1.0 | W |
| Storage temperature | T _{STG} | -65 to 150 | °C |
| Operating Temperature | T _A | -40 to 85 | °C |

1. Stresses greater than those listed under "Absolute Maximum Ratings" may cause permanent damage to the device. Functional operation should be restricted to recommended operating condition. Exposure to absolute maximum rating conditions for extended periods may affect reliability.

RECOMMENDED DC OPERATING CONDITIONS¹⁾

| Item | Symbol | Min | Typ | Max | Unit |
|--------------------|-----------------|--------------------|---------|------------------------------------|------|
| Supply voltage | V _{CC} | 1.65 | 1.8/2.0 | 2.2 | V |
| Ground | V _{SS} | 0 | 0 | 0 | V |
| Input high voltage | V _{IH} | 1.4 | - | V _{CC} +0.2 ²⁾ | V |
| Input low voltage | V _{IL} | -0.2 ³⁾ | - | 0.4 | V |

Note:

1. T_A=-40 to 85°C, otherwise specified
2. Overshoot: V_{CC}+1.0V in case of pulse width ≤20ns
3. Undershoot: -1.0V in case of pulse width ≤20ns
4. Overshoot and undershoot are sampled, not 100% tested.

CAPACITANCE¹⁾ (f=1MHz, T_A=25°C)

| Item | Symbol | Test Condition | Min | Max | Unit |
|--------------------------|-----------------|---------------------|-----|-----|------|
| Input capacitance | C _{IN} | V _{IN} =0V | - | 8 | pF |
| Input/Output capacitance | C _{IO} | V _{IO} =0V | - | 10 | pF |

1. Capacitance is sampled, not 100% tested

DC AND OPERATING CHARACTERISTICS

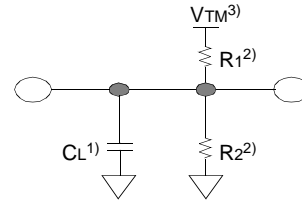
| Item | Symbol | Test Conditions | Min | Typ | Max | Unit |
|---------------------------|------------------|---|-----|-----|-----------------|------|
| Input leakage current | I _{LI} | V _{IN} =V _{SS} to V _{CC} | -1 | - | 1 | μA |
| Output leakage current | I _{LO} | $\overline{CS}_1=V_{IH}$, CS ₂ =V _{IL} or $\overline{OE}=V_{IH}$ or $\overline{WE}=V_{IL}$, V _{IO} =V _{SS} to V _{CC} | -1 | - | 1 | μA |
| Operating power supply | I _{CC} | I _{IO} =0mA, $\overline{CS}_1=V_{IL}$, CS ₂ =V _{IH} , $\overline{WE}=V_{IH}$, V _{IN} =V _{IH} or V _{IL} | - | - | 1 | mA |
| Average operating current | I _{CC1} | Cycle time=1μs, 100%duty, I _{IO} =0mA, $\overline{CS}_1 \leq 0.2V$, CS ₂ ≥V _{CC} -0.2V, V _{IN} ≤0.2V or V _{IN} ≥V _{CC} -0.2V | - | - | 2 | mA |
| | I _{CC2} | Cycle time=Min, I _{IO} =0mA, 100% duty, $\overline{CS}_1=V_{IL}$, CS ₂ =V _{IH} , V _{IN} =V _{IL} or V _{IH} | - | - | 15 | mA |
| Output low voltage | V _{OL} | I _{OL} = 0.1mA | - | - | 0.2 | V |
| Output high voltage | V _{OH} | I _{OH} = -0.1mA | 1.4 | - | - | V |
| Standby Current(TTL) | I _{SB} | $\overline{CS}_1=V_{IH}$, CS ₂ =V _{IL} , Other inputs=V _{IH} or V _{IL} | - | - | 0.3 | mA |
| Standby Current (CMOS) | I _{SB1} | $\overline{CS}_1 \geq V_{CC}-0.2V$, CS ₂ ≥V _{CC} -0.2V(\overline{CS}_1 controlled) or CS ₂ ≤0.2V(CS ₂ controlled), Other inputs=0~V _{CC} | - | 0.5 | 8 ¹⁾ | μA |

1. Super low power product=4μA with special handling.

AC OPERATING CONDITIONS

TEST CONDITIONS (Test Load and Test Input/Output Reference)

Input pulse level: 0.2 to $V_{CC}-0.2V$
 Input rising and falling time: 5ns
 Input and output reference voltage: 0.9V
 Output load (See right): $C_L=100pF+1TTL$
 $C_L=30pF+1TTL$



1. Including scope and jig capacitance
2. $R_1=3070\Omega$, $R_2=3150\Omega$
3. $V_{TM}=1.8V$

AC CHARACTERISTICS ($V_{CC}=1.65\sim 2.2V$, Industrial product: $T_A=-40$ to $85^\circ C$)

| Parameter List | Symbol | Speed Bins | | | | Units | |
|---------------------------|---------------------------------|--------------------|-----|------|-----|-------|----|
| | | 70ns ¹⁾ | | 85ns | | | |
| | | Min | Max | Min | Max | | |
| Read | Read Cycle Time | tRC | 70 | - | 85 | - | ns |
| | Address Access Time | tAA | - | 70 | - | 85 | ns |
| | Chip Select to Output | tCO | - | 70 | - | 85 | ns |
| | Output Enable to Valid Output | tOE | - | 35 | - | 40 | ns |
| | Chip Select to Low-Z Output | tLZ | 10 | - | 10 | - | ns |
| | Output Enable to Low-Z Output | tOLZ | 5 | - | 5 | - | ns |
| | Chip Disable to High-Z Output | tHZ | 0 | 25 | 0 | 25 | ns |
| | Output Disable to High-Z Output | tOHZ | 0 | 25 | 0 | 25 | ns |
| | Output Hold from Address Change | tOH | 10 | - | 10 | - | ns |
| Write | Write Cycle Time | tWC | 70 | - | 85 | - | ns |
| | Chip Select to End of Write | tCW | 60 | - | 70 | - | ns |
| | Address Set-up Time | tAS | 0 | - | 0 | - | ns |
| | Address Valid to End of Write | tAW | 60 | - | 70 | - | ns |
| | Write Pulse Width | tWP | 50 | - | 60 | - | ns |
| | Write Recovery Time | tWR | 0 | - | 0 | - | ns |
| | Write to Output High-Z | tWHZ | 0 | 20 | 0 | 25 | ns |
| | Data to Write Time Overlap | tDW | 30 | - | 35 | - | ns |
| | Data Hold from Write Time | tDH | 0 | - | 0 | - | ns |
| End Write to Output Low-Z | tOW | 5 | - | 5 | - | ns | |

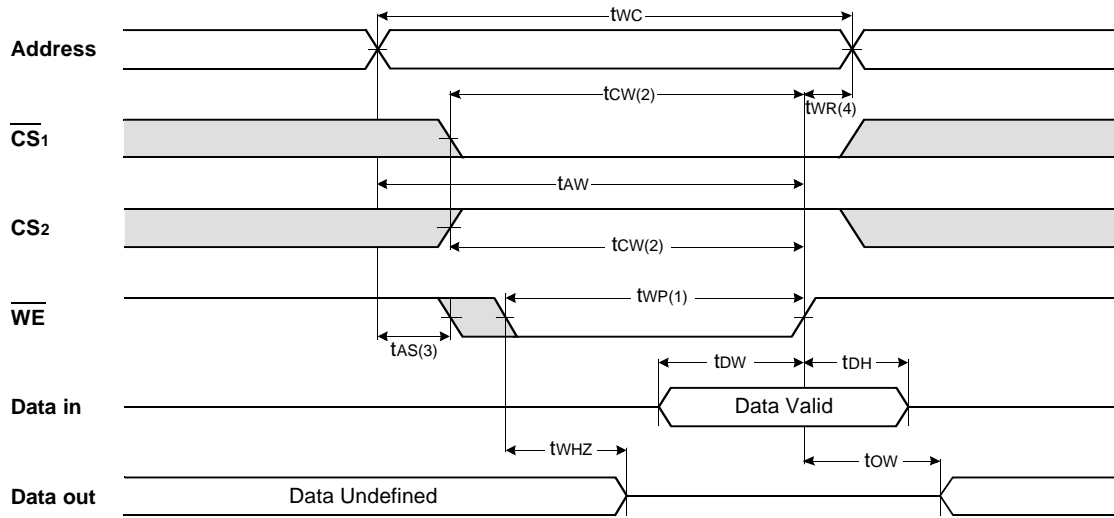
1. The parameter is measured with 30pF test load.

DATA RETENTION CHARACTERISTICS

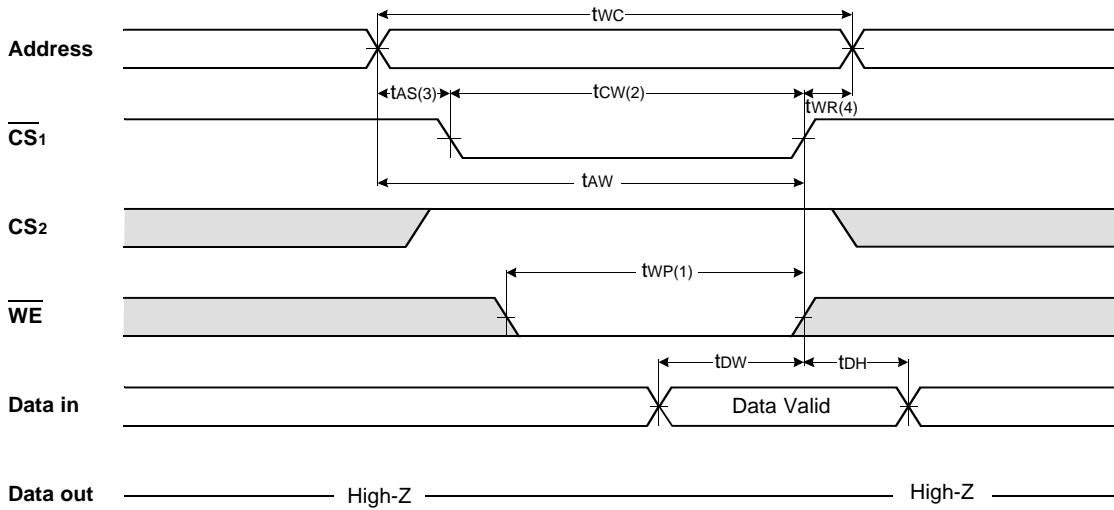
| Item | Symbol | Test Condition | Min | Typ | Max | Unit |
|----------------------------|--------|---|-----|-----|-----------------|---------|
| Vcc for data retention | VDR | $\overline{CS}_1 \geq V_{CC}-0.2V^{1)}$ | 1.0 | - | 2.2 | V |
| Data retention current | IDR | $V_{CC}=1.2V$, $\overline{CS}_1 \geq V_{CC}-0.2V^{1)}$ | - | 0.5 | 4 ²⁾ | μA |
| Data retention set-up time | tSDR | See data retention waveform | 0 | - | - | ns |
| Recovery time | tRDR | | tRC | - | - | |

1. $\overline{CS}_1 \geq V_{CC}-0.2V$, $CS_2 \geq V_{CC}-0.2V$ (\overline{CS}_1 controlled) or $CS_2 \leq 0.2V$ (CS_2 controlled)
2. Super low power product= $2\mu A$ with special handling.

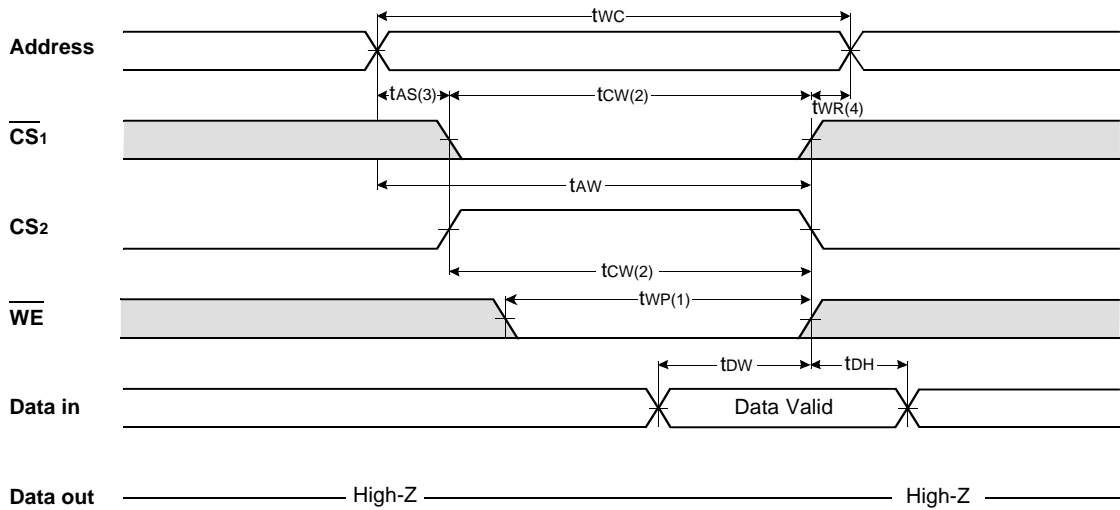
TIMING WAVEFORM OF WRITE CYCLE(1) (\overline{WE} Controlled)



TIMING WAVEFORM OF WRITE CYCLE(2) ($\overline{CS1}$ Controlled)



TIMING WAVEFORM OF WRITE CYCLE(3) (CS₂ Controlled)

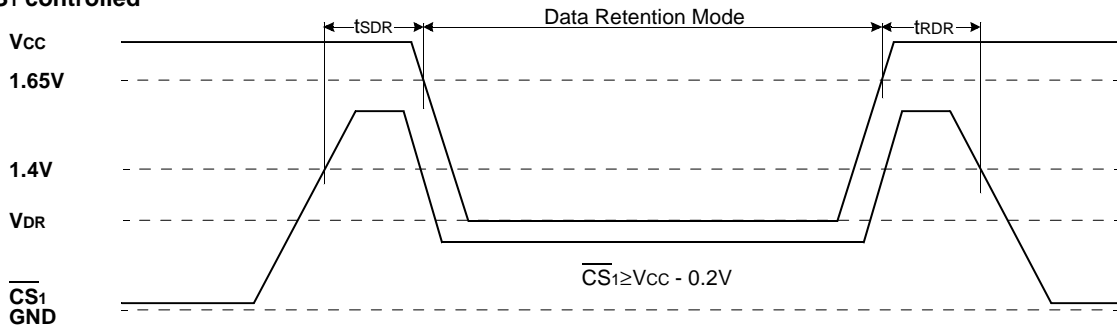


NOTES (WRITE CYCLE)

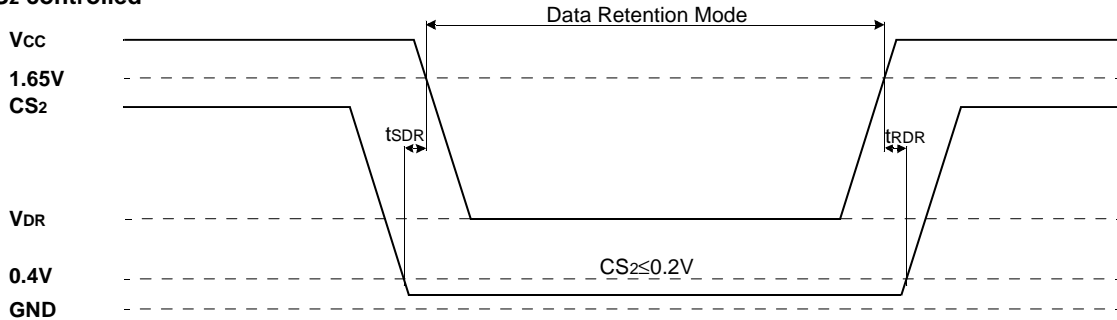
1. A write occurs during the overlap of a low \overline{CS}_1 , a high CS_2 and a low \overline{WE} . A write begins at the latest transition among \overline{CS}_1 goes low, CS_2 going high and \overline{WE} going low : A write end at the earliest transition among CS_1 going high, CS_2 going low and \overline{WE} going high, t_{WR} is measured from the beginning of write to the end of write.
2. t_{CW} is measured from the CS_1 going low or CS_2 going high to the end of write.
3. t_{AS} is measured from the address valid to the beginning of write.
4. t_{WR} is measured from the end of write to the address change. t_{WR1} applied in case a write ends as \overline{CS}_1 or \overline{WE} going high t_{WR2} applied in case a write ends as CS_2 going to low.

DATA RETENTION WAVE FORM

\overline{CS}_1 controlled



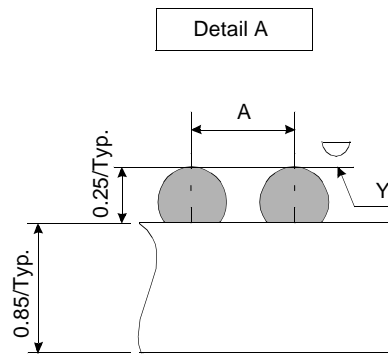
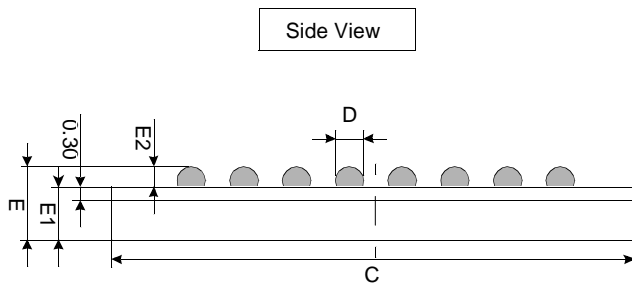
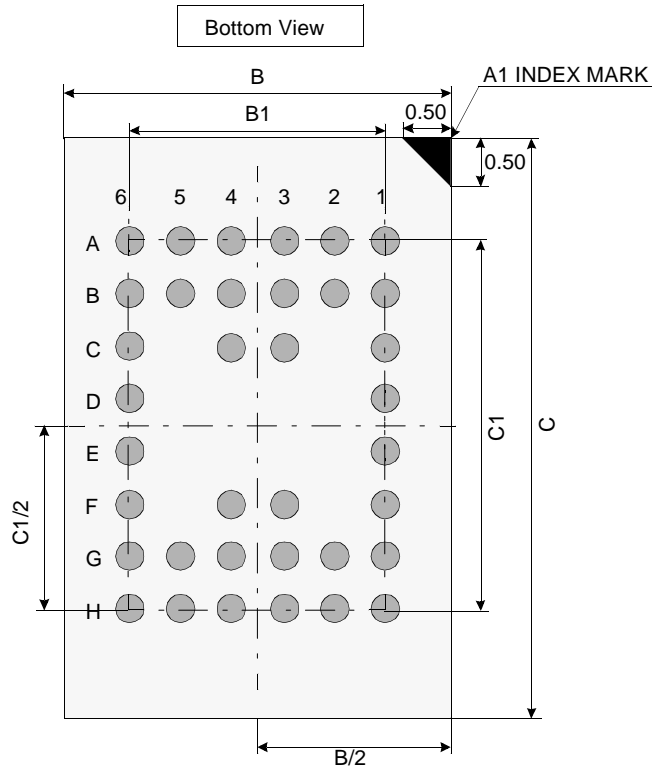
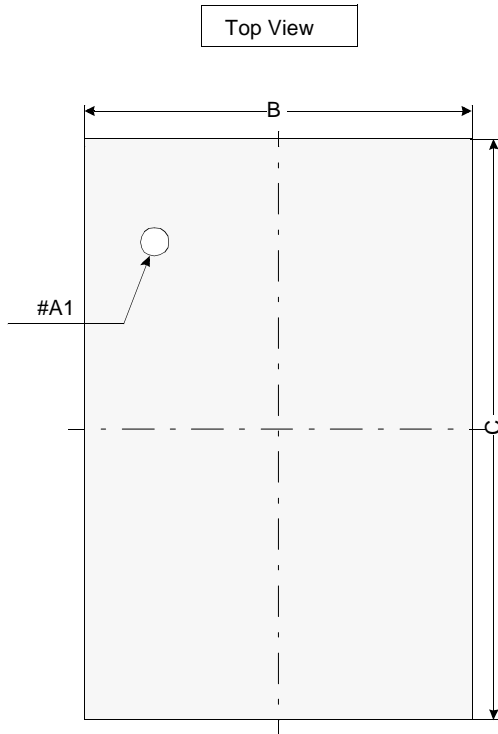
CS_2 controlled



PACKAGE DIMENSIONS

Units: millimeters

48 BALL FINE PITCH BGA(0.75mm ball pitch)



| | Min | Typ | Max |
|----|------|------|------|
| A | - | 0.75 | - |
| B | 6.40 | 6.50 | 6.60 |
| B1 | - | 3.75 | - |
| C | 8.40 | 8.50 | 8.60 |
| C1 | - | 5.25 | - |
| D | 0.30 | 0.35 | 0.40 |
| E | - | 1.10 | 1.20 |
| E1 | - | 0.85 | - |
| E2 | 0.20 | 0.25 | 0.30 |
| Y | - | - | 0.08 |

Notes.

1. Bump counts: 48(8row x 6column)
2. Bump pitch: (x,y)=(0.75 x 0.75)(typ.)
3. All tolerance are +/-0.050 unless otherwise specified.
4. Typ: Typical
5. Y is coplanarity: 0.08(Max)