

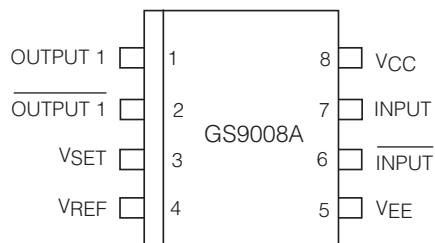
KEY FEATURES

- two output pairs, adjustable from 0 to 1100mVp-p into 75 Ω loads
- nominal 600 ps rise and fall times
- accepts SMPTE and standard ECL input levels
- operates from a single +5 or -5 volt supply
- on-chip DC restoration for low jitter
- 170mW power dissipation
- interfaces with GENLINX™ GS9002, GS9004A, GS9005A and GS9015A
- Pb-free and Green

APPLICATIONS

- SMPTE 259M Serial Digital Systems (4:2:2 & 4fsc)
- Other Serial Digital Video Interfaces — 360Mb/s
- General purpose high speed driver applications

PIN CONNECTIONS



DESCRIPTION

The GENLINX™ GS9008A is a bipolar integrated circuit designed to drive two 75 Ω co-axial cables at data rates exceeding 400Mb/s. It directly interfaces with other GENLINX™ devices and can also be used as a general purpose high speed cable driver.

While there are no plans to discontinue the GS9008A, Gennum has developed a successor product with improved features and performance called the GS9028. The GS9028 is recommended for new designs.

The differential inputs are AC-coupled and internally DC-restored which allows correct passage of pathological check codes associated with the serial digital standards. Even though the inputs are AC coupled, static protection diodes at each input restrict the DC differential so that if the driving source uses the opposite polarity power supply, external DC blocking capacitors must be used.

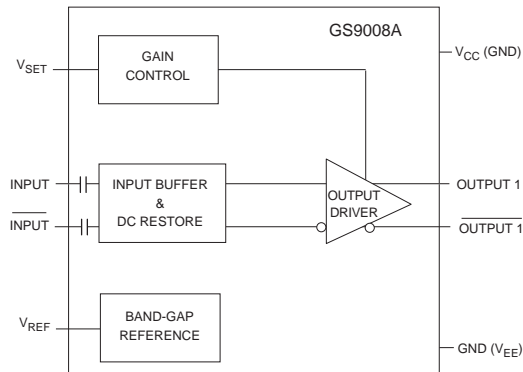
Correctly terminated output signal levels are adjustable from as low as 0mV to as high as 1100mV with little change in other performance parameters. Performance is guaranteed for output levels between 600mV and 1000mV. The gain of the output stages is varied by adjusting the V_{SET} voltage with respect to an internal band gap reference voltage V_{REF} .

The GS9008A is packaged in an 8 pin SOIC, and operates from a single +5 or -5 volt supply consuming typically only 170mW of power.

ORDERING INFORMATION

PART NUMBER	PACKAGE TYPE	TEMPERATURE RANGE	Pb-FREE AND GREEN
GS9008ACKA	8 Pin SOIC	0° to 70°C	No
GS9008ACKAE3	8 Pin SOIC	0° to 70°C	Yes

FUNCTIONAL BLOCK DIAGRAM



ABSOLUTE MAXIMUM RATINGS

PARAMETER	VALUE
Supply Voltage (V _S)	5.5V
Input Voltage Range (any input)	V _S -0.5V
Power Dissipation	300mW
Operating Temperature Range	0°C ≤ T _A ≤ 70°C
Storage Temperature Range	-65°C ≤ T _S ≤ 150°C
Lead Temperature (soldering, 10 sec)	260°C

GS9008A CABLE DRIVER — DC ELECTRICAL CHARACTERISTICS

Conditions: V_S = 5V, T_A = 0°C to 70°C, R_L = 150 Ω to GND and 144 Ω AC coupled unless otherwise shown

PARAMETER	SYMBOL	CONDITIONS	MIN	TYP	MAX	UNITS	NOTES
Supply Voltage	V _S		4.5	5.0	5.5	volts	
Power Consumption	P _D	4 x150Ω Loads DC 1% Accuracy, T _A = 25°C V _{SET} = (0.667) V _{REF}	-	170	190	mW	
Supply Current	I _{S1}		-	62	67	mA	
Supply Current	I _{S2}	DC No Loads, T _A = 25°C	-	16	20	mA	
Reference Voltage	V _{REF}	10 kΩ to ground	-	1.2	-	volts	

GS9008A CABLE DRIVER — AC ELECTRICAL CHARACTERISTICS

Conditions: V_S = 5V, T_A = 0°C to 70°C, R_L = 150 Ω to GND and 144 Ω AC coupled unless otherwise shown

PARAMETER	SYMBOL	CONDITIONS	MIN	TYP	MAX	UNITS	NOTES
Input Signal Amplitude	V _{IN}		700	800	1000	mVp-p	
Input Signal Rise/Fall Times	t _R ,t _F		-	-	750	ps	
Output Amplitudes across 75 Ω Load (See Note 1)	V _{OUT}	V _{SET} = (0.5) V _{REF}	540	600	660	mVp-p	Note 1 & 2
		V _{SET} = (0.667) V _{REF}	720	800	880	mVp-p	Note 1 & 2
		V _{SET} = (0.833) V _{REF}	900	1000	1100	mVp-p	Note 1 & 2
Output Amplitude Temperature Coefficient (See Note 2)	T _C	V _{SET} = (0.5) V _{REF}	-	25	100	ppm/°C	
		V _{SET} = (0.667) V _{REF}	-	-12	80	ppm/°C	
		V _{SET} = (0.833) V _{REF}	-	-45	80	ppm/°C	
Output Rise/Fall Times (20% to 80%)	t _R ,t _F	V _{SET} = (0.5) V _{REF}	400	630	800	ps	
		V _{SET} = (0.667) V _{REF}	400	575	800	ps	
		V _{SET} = (0.833) V _{REF}	400	530	800	ps	
Output Overshoot		t _R = t _F = 600 ps	-	0	-	%	See Figure 3
Jitter	t _J	at 270Mb/s	-	-	±25	ps	
Propagation Delay	t _P		-	1	-	ns	

1. V_{OUT} is measured across a correctly terminated load, back matched to the device. The peak to peak voltage of the device itself is 2 x V_{OUT}.
2. V_{OUT} is proportional to V_{SET} and V_{SET} may be an external low impedance, high stability supply. In this case the amplitude temperature coefficient will not be guaranteed.

INPUT/OUTPUT CIRCUITS

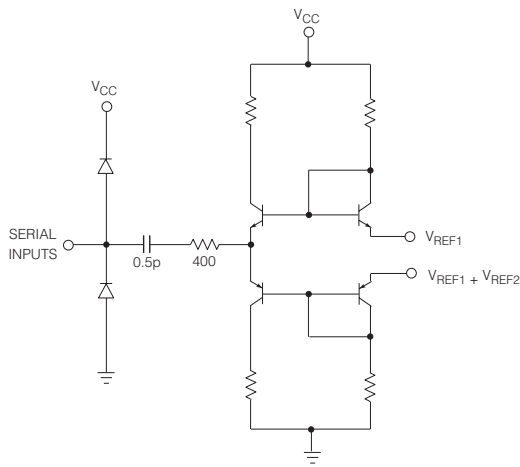


Figure 1 Input Circuit (Pins 6 and 7)

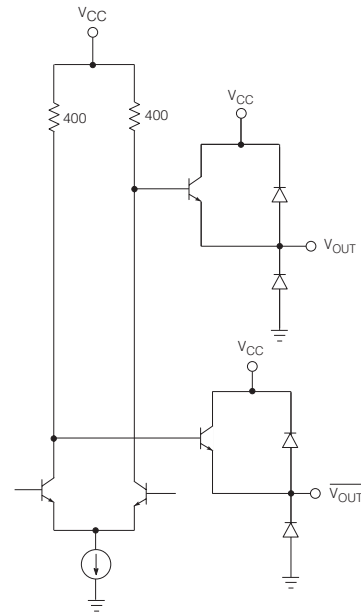
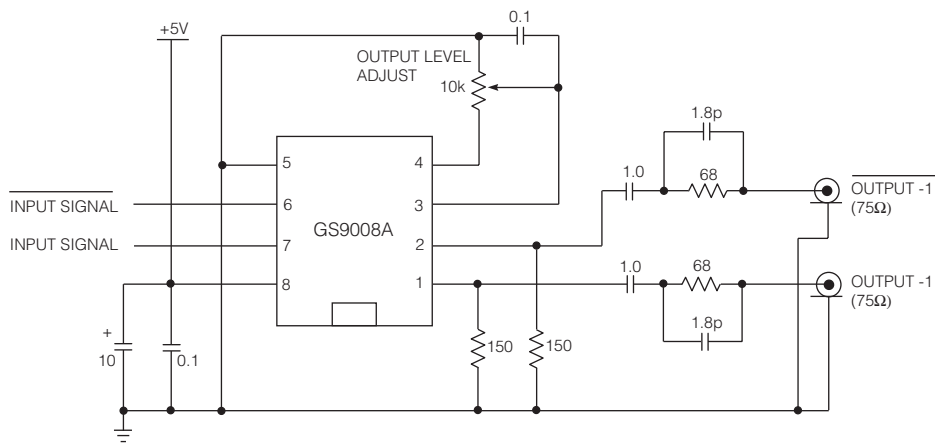
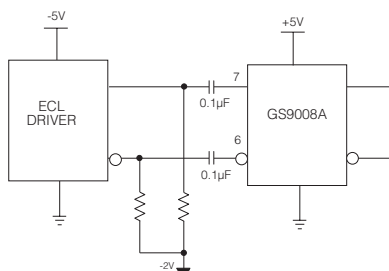


Figure 2 Output Circuit (Pins 1 and 2)



All resistors in ohms, all capacitors in microfarads unless otherwise stated.

Figure 3 Typical Application Circuit



All resistors in ohms, all capacitors in microfarads unless otherwise stated.

Figure 4 Split Supply Interfacing

REVISION HISTORY

VERSION	ECR	DATE	CHANGES AND/OR MODIFICATIONS
0	132427	October 2003	New Document
1	134030	June 2004	Added lead-free and green information.

DOCUMENT IDENTIFICATION

PRELIMINARY DATA SHEET

The product is in a preproduction phase and specifications are subject to change without notice.

CAUTION

ELECTROSTATIC
SENSITIVE DEVICES

DO NOT OPEN PACKAGES OR HANDLE
EXCEPT AT A STATIC-FREE WORKSTATION

**GENNUM CORPORATION**

MAILING ADDRESS:

P.O. Box 489, Stn. A, Burlington, Ontario, Canada L7R 3Y3
Tel. +1 (905) 632-2996 Fax. +1 (905) 632-5946

SHIPPING ADDRESS:

970 Fraser Drive, Burlington, Ontario, Canada L7L 5P5

GENNUM JAPAN CORPORATION

Shinjuku Green Tower Building 27F, 6-14-1, Nishi Shinjuku,
Shinjuku-ku, Tokyo, 160-0023 Japan
Tel. +81 (03) 3349-5501, Fax. +81 (03) 3349-5505

GENNUM UK LIMITED

25 Long Garden Walk, Farnham, Surrey, England GU9 7HX
Tel. +44 (0)1252 747 000 Fax +44 (0)1252 726 523

Gennum Corporation assumes no responsibility for the use of any circuits described herein and makes no representations that they are free from patent infringement.

© Copyright October 2003 Gennum Corporation. All rights reserved. Printed in Canada.