

ADSL CPE IN-LINE PHONE FILTER

DSL Rocket™



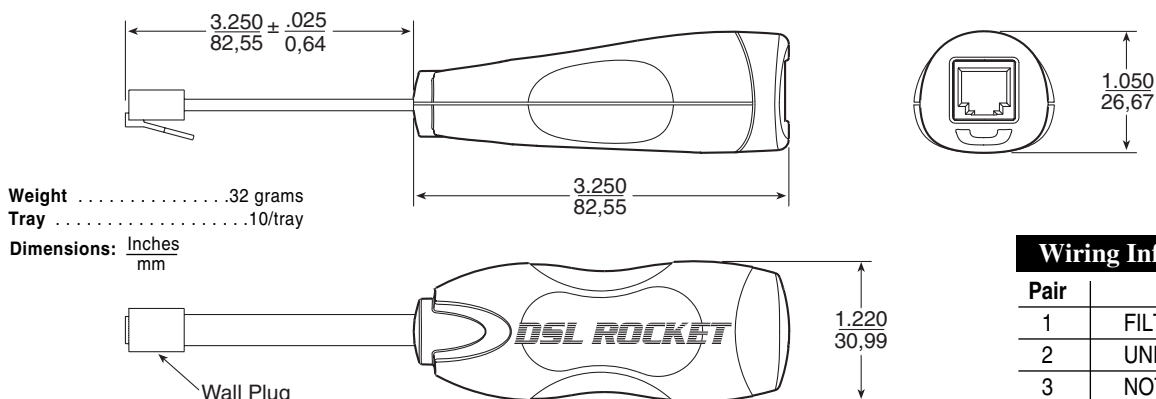
- ☑ Meets/exceeds pending T1E1.4 standard
- ☑ Compatible with Home Phonenumber Networking systems
- ☑ FCC approved – registration #PLSMUL-42028-XT-N
- ☑ Compact package, includes RJ-11 telephone connectors for ease of installation
- ☑ Passes call waiting, caller ID and voice band signals while attenuating the higher ADSL data frequencies

Electrical Specifications @ 25°C — Operating Temperature -40°C to 65°C

PARAMETERS	SPECIFICATIONS
Off hook insertion loss @ 1 kHz	
Single filter	0.5 dB MAX
With 5 filters	1.0 dB MAX
Off hook insertion loss @ 200 Hz – 4.0 kHz	
Single filter	1.0 dB MAX
With 5 filters	2.5 dB MAX
Total DC resistance	20 Ω MAX
Tip to Ring	10 MΩ MAX
Longitudinal Balance	
200 Hz – 1 kHz	-65 dB MIN
1 kHz – 3 kHz	-56 dB MIN
Return Loss with ATU-R (1 to 5 filters)	
200 Hz	-13 dB MIN
1 kHz	-13 dB MIN
2.2 kHz	-11 dB MIN
ADSL Frequency Rejection @ 25 kHz – 10 MHz	21 dB MIN, 25 dB TYP

B8004

Mechanical Dimensions



Wiring Information

Pair	Path
1	FILTERED
2	UNFILTERED
3	NOT WIRED

For More Information :

UNITED STATES (Worldwide)	UNITED KINGDOM (Northern Europe)	FRANCE (Southern Europe)	SINGAPORE (Southern Asia)	TAIWAN, R.O.C. (Northern Asia)	DISTRIBUTOR
12220 World Trade Drive San Diego, CA 92128 U.S.A. http://www.pulseeng.com TEL: 858 674 8100 FAX: 858 674 8262	1 & 2 Huxley Road The Surrey Research Park Guildford, Surrey GU2 5RE United Kingdom TEL: 44 1483 401700 FAX: 44 1483 401701	Zone Industrielle F-39270 Orgelet France TEL: 33 3 84 35 04 04 FAX: 33 3 84 25 46 41	150 Kampong Ampat #07-01/02 KA Centre Singapore 368324 TEL: 65 287 8998 FAX: 65 280 0080	3F-4, No. 81, Sec. 1 HsinTai Wu Road Hsi-Chih, Taipei Hsien Taiwan, R.O.C. Tel: 886 2 2698 0228 FAX: 886 2 2698 0948	

Performance warranty of products offered on this data sheet is limited to the parameters specified. Data is subject to change without notice. Other brand and product names mentioned herein may be trademarks or registered trademarks of their respective owners.

♻️ Printed on recycled paper. ©2001, Pulse Engineering, Inc.

PRELIMINARY B974.P (3/01)