



Am29C833A/Am29C853A

High-Performance CMOS Parity Bus Transceivers

DISTINCTIVE CHARACTERISTICS

- High-speed CMOS bidirectional bus transceivers
 - T-R delay = 5 ns typical
 - R-Parity delay = 8 ns typical
- Error flag with open-drain output
- Generates odd parity for all-zero protection
- Low standby power
- 200 mV typical input hysteresis on input data ports
- Very high output drive
 - I_{OL} = 48 mA Commercial, 32 mA Military
- Proprietary edge-rate controlled outputs dramatically reduce ground bounce, overshoots and undershoots
- Power up/down disable circuit provides for glitch-free power supply sequencing
- Minimal speed degradation with multiple outputs switching
- Can be powered off while in 3-state, ideal for card edge interface applications
- JEDEC FCT-compatible specs

GENERAL DESCRIPTION

The Am29C833A and Am29C853A are high-performance CMOS parity bus transceivers designed for two-way communications. Each device can be used as an 8-bit transceiver, as well as a 9-bit parity checker/generator. In the transmit mode, data is read at the R port and output at the T port with a parity bit. In the receive mode, data and parity are read at the T port, and the data is output at the R port along with the \overline{ERR} flag showing the results of the parity test. Each of these devices is produced with AMD's exclusive CS11SA CMOS process, and features a typical propagation delay of 5 ns, as well as an output current drive of 48 mA.

In the Am29C833A, the error flag is latched and stored in a register which is read at the open drain \overline{ERR} output, the \overline{CLR} input is used to clear the error flag register. In the Am29C853A, a latch replaces the register, and the \overline{EN} and \overline{CLR} controls are used to pass, store, sample or clear the error flag output. When both output enables are disabled in the Am29C833A and Am29C853A, parity logic defaults to the transmit mode so that the \overline{ERR} pin reflects the parity of the R port.

The output enables, \overline{OER} and \overline{OET} , are used to force the port outputs to the high-impedance state so that other devices can drive bus lines directly. In addition, the user

can force a parity error by enabling both \overline{OER} and \overline{OET} simultaneously. This transmission of inverted parity gives the designer more system diagnostic capability.

The Am29C833A and Am29C853A incorporate AMD's proprietary edge-controlled outputs in order to minimize simultaneous switching noise (ground bounce), overshoots and undershoots. By controlling the output transient currents, ground bounce and output ringing have been greatly reduced. A modified AMD output provides a stable, usable voltage level in less time than a non-controlled output.

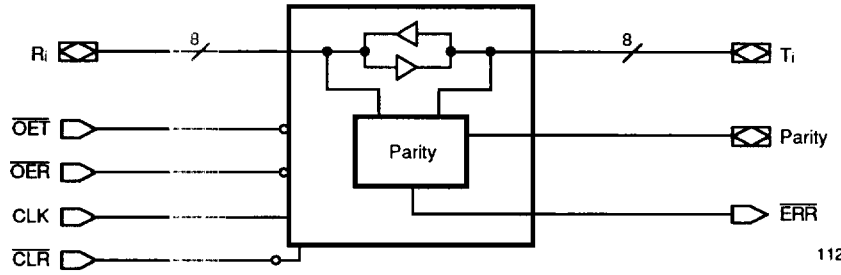
Additionally, speed degradation due to increasing number of outputs switching is reduced. Together, these benefits of edge-rate control result in significant increase in system performance despite a minor increase in device propagation delay.*

A unique I/O circuit provides for high-impedance outputs during power-off and power-up/down sequencing, thus providing glitch-free operation for card-edge and other active bus applications.

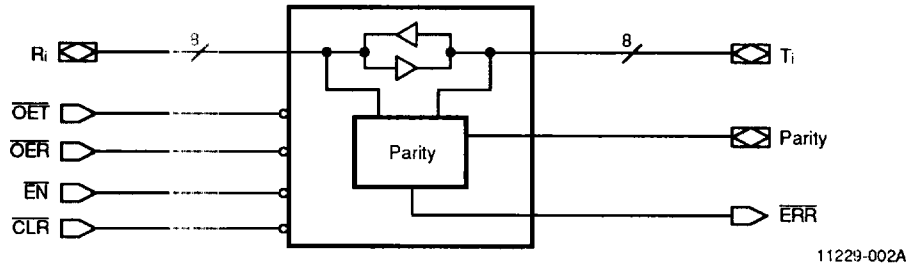
The Am29C833A and Am29C853A are available in the standard package options: DIPs, PLCCs, and SOICs.

* For more details refer to a Minimization of Ground Bounce Through Output Edge-Rate Control Application Note (See Chapter 3).

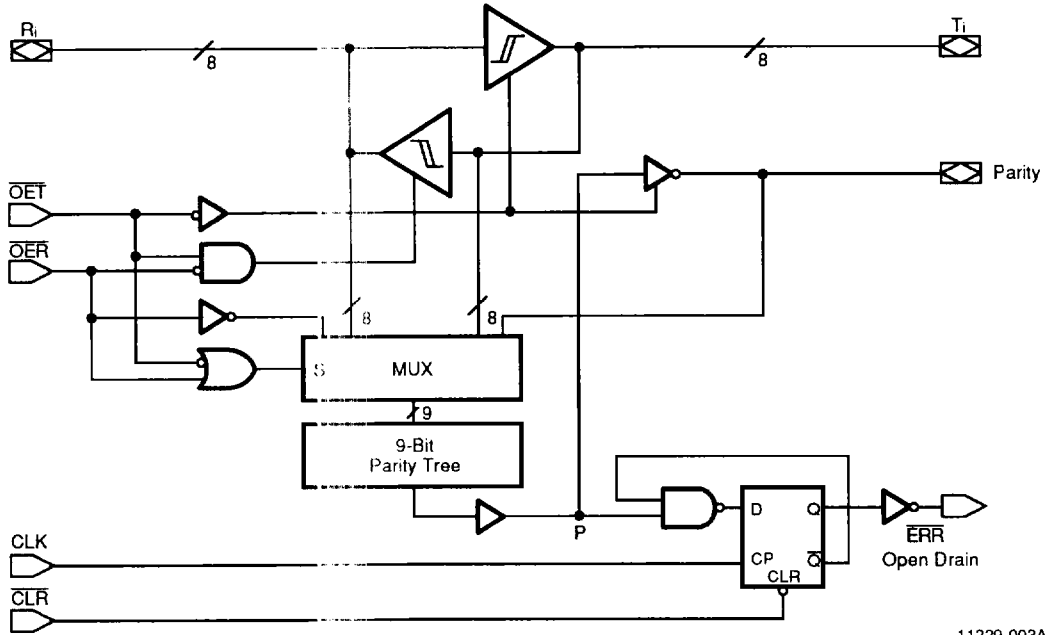
LOGIC SYMBOLS
Am29C833A



Am29C853A

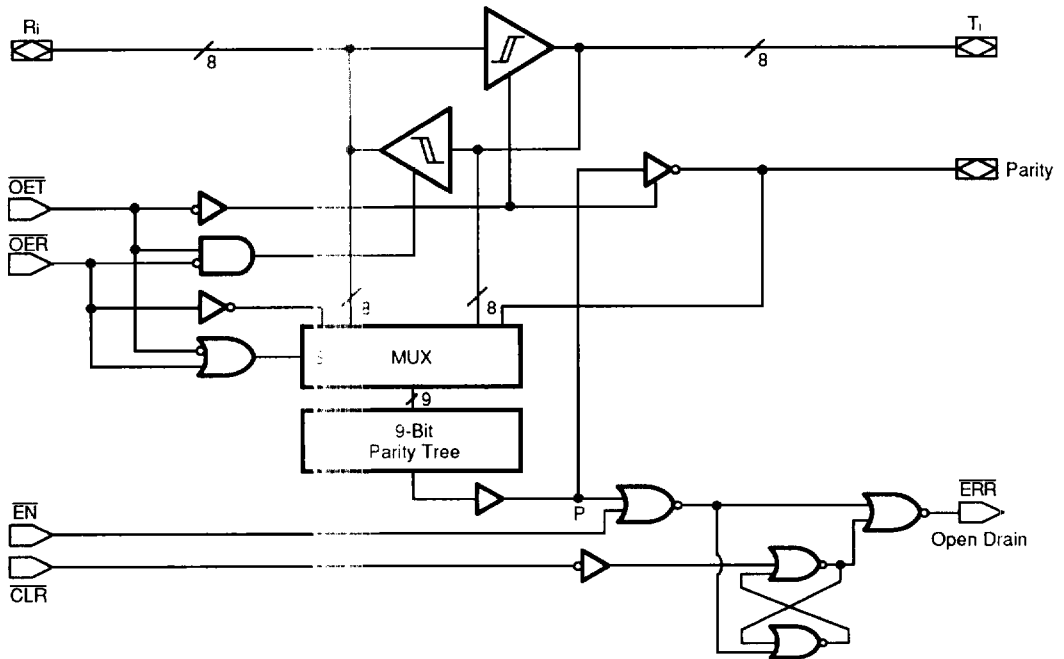


BLOCK DIAGRAMS
Am29C833A



11229-003A

Am29C853A

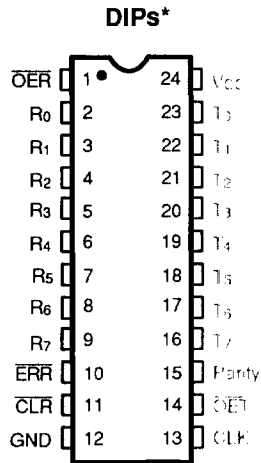


11229-004A

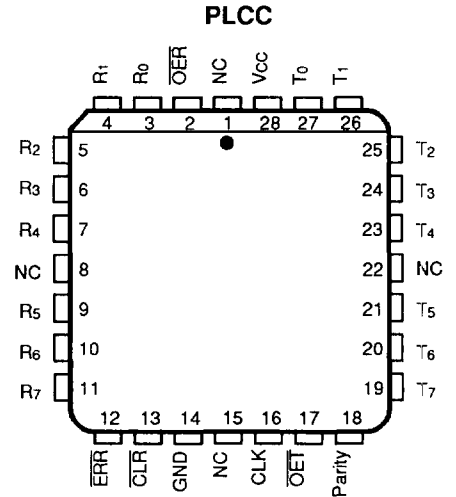


CONNECTION DIAGRAMS (Top View)

Am29C833A

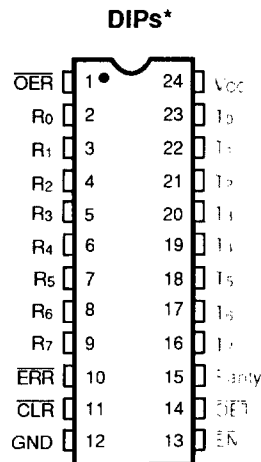


11229-005A

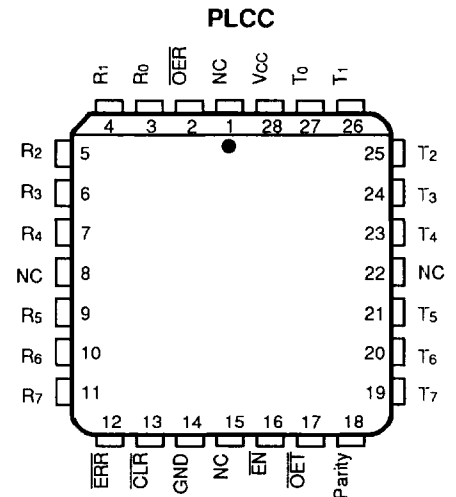


11229-006A

Am29C853A



11229-007A



11229-008A

*Also available in 24-Pin Small Outline package; pinout identical to DIPs.

FUNCTION TABLES

Am29C833A (Register Option)

Inputs								Outputs				Function
\overline{OET}	\overline{OER}	\overline{CLR}	CLK	R	Sum of H's of R_i	T_i	Sum of H's (T_i + Parity)	R_i	T_i	Parity	\overline{ERR}	
L	H	X	X	H	ODD	NA	NA	NA	H	L	NA	Transmit mode: transmits data from R port to T port, generating parity. Receive path is disabled.
L	H	X	X	H	EVEN	NA	NA	NA	H	H	NA	
L	H	X	X	L	ODD	NA	NA	NA	L	L	NA	
L	H	X	X	L	EVEN	NA	NA	NA	L	H	NA	
H	L	H	↑	NA	NA	H	ODD	H	NA	NA	H	Receive mode: transmits data from T port to R port with parity test resulting in error flag. Transmit path is disabled.
H	L	H	↑	NA	NA	H	EVEN	H	NA	NA	L	
H	L	H	↑	NA	NA	L	ODD	L	NA	NA	H	
H	L	H	↑	NA	NA	L	EVEN	L	NA	NA	L	
X	X	L	X	X	X	X	X	X	X	X	H	Clear error flag register.
H	H	H	X	X	X	X	X	Z	Z	Z	*	Both transmitting and receiving paths are disabled. Parity logic defaults to transmit mode.
H	H	L	X	X	X	X	X	Z	Z	Z	H	
H	H	H	↑	L	ODD	X	X	Z	Z	Z	H	
H	H	H	↑	F	EVEN	X	X	Z	Z	Z	L	
L	L	X	X	F	ODD	NA	NA	NA	H	H	NA	Forced-error checking.
L	L	X	X	F	EVEN	NA	NA	NA	H	L	NA	
L	L	X	X	L	ODD	NA	NA	NA	L	H	NA	
L	L	X	X	L	EVEN	NA	NA	NA	L	L	NA	

H = HIGH

L = LOW

↑ = LOW-to-HIGH Transition

X = Don't Care or Irrelevant

Z = High Impedance

NA = Not Applicable

* = Store the State of the Last Receive Cycle

ODD = Odd Number

EVEN = Even Number

i = 0, 1, 2, 3, 4, 5, 6, 7

TRUTH TABLES
Error Flag Output
Am29C833A

Inputs		Internal to Device	Outputs Pre-state	Output	Function
CLR	CLK	Point "P"	\overline{ERR}_{n-1}	\overline{ERR}	
H	↑	H	H	H	Sample (1's Capture)
H	↑	X	L	L	
H	↑	L	X	L	
L	X	X	X	H	Clear

Note:

\overline{OET} is HIGH and \overline{OER} is LOW.

Error Flag Output
Am29C853A

Inputs		Internal to Device	Outputs Pre-state	Output	Function
EN	\overline{CLR}	Point "P"	\overline{ERR}_{n-1}	\overline{ERR}	
L	L	L	X	L	Pass
L	L	H	X	H	
L	H	L	X	L	Sample (1's Capture)
L	H	X	L	L	
L	H	H	H	H	
H	L	X	X	H	Clear
H	H	X	L	L	Store
H	H	X	H	H	

Note:

\overline{OET} is HIGH and \overline{OER} is LOW.

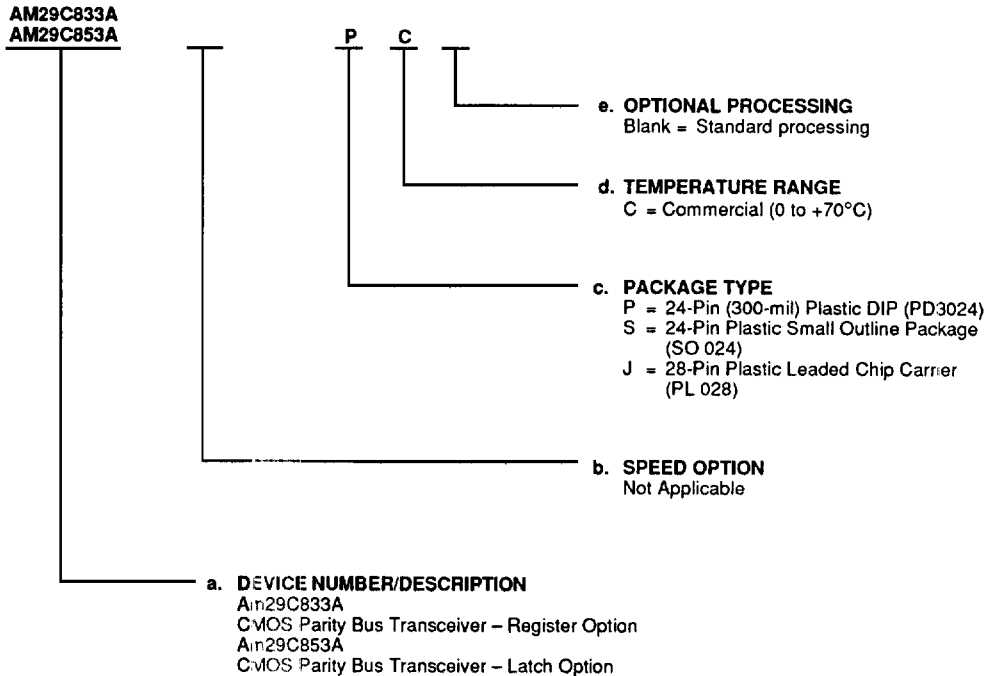


ORDERING INFORMATION

Standard Products

AMD standard products are available in several packages and operating ranges. The order number (Valid Combination) is formed by a combination of:

- a. Device Number
- b. Speed Option (if applicable)
- c. Package Type
- d. Temperature Range
- e. Optional Processing



Valid Combinations	
AM29C833A	PC, SC, JC
AM29C853A	

Valid Combinations

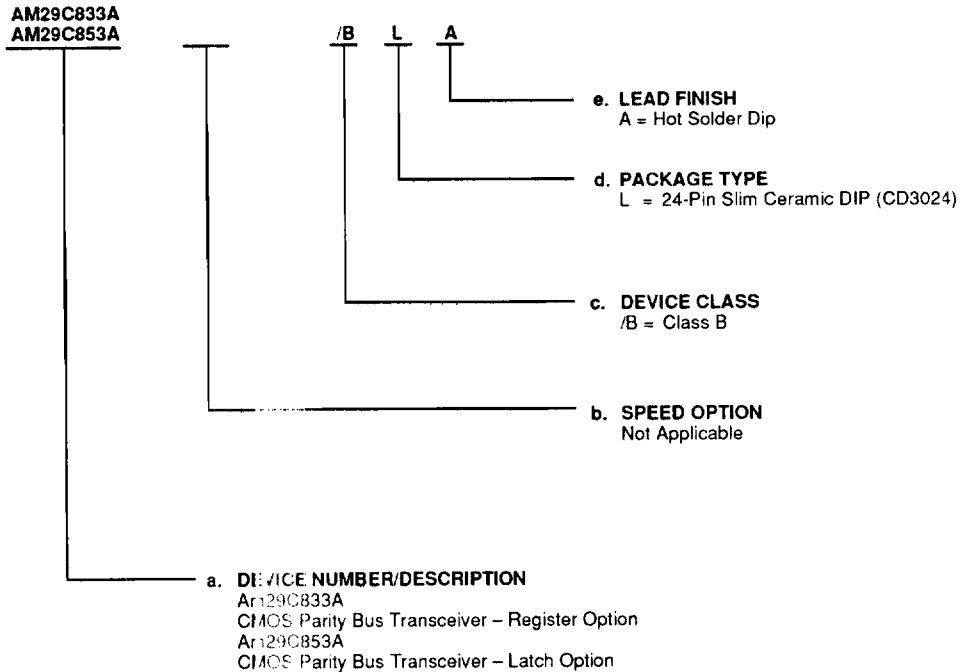
Valid Combinations list configurations planned to be supported in volume for this device. Consult the local AMD sales office to confirm availability of specific valid combinations or to check on newly released combinations, and to obtain additional data on AMD's standard military grade products.

MILITARY ORDERING INFORMATION

APL Products

AMD products for Aerospace and Defense applications are available in several packages and operating ranges. APL (Approved Products List) products are fully compliant with MIL-STD-883C requirements. The order number (Valid Combination) is formed by a combination of:

- a. **Device Number**
- b. **Speed Option (If applicable)**
- c. **Device Class**
- d. **Package Type**
- e. **Lead Finish**



Valid Combinations	
AM29C833A	BLA
AM29C853A	

Valid Combinations

Valid Combinations list configurations planned to be supported in volume for this device. Consult the local AMD sales office to confirm availability of specific valid combinations, or to check on newly released combinations.

Group A Tests

Group A tests consist of Subgroups 1, 2, 3, 7, 8, 9, 10, 11.

PIN DESCRIPTION**Am29C833A/Am29C853A****OER****Output Enable Receive (Input, Active LOW)**

When LOW in conjunction with \overline{OET} HIGH, the devices are in the Receive mode (R_i are outputs, T_i and Parity are inputs).

OET**Output Enable Transmit (Input, Active LOW)**

When LOW in conjunction with \overline{OER} HIGH, the devices are in the Transmit mode (R_i are inputs, T_i and Parity are outputs).

 R_i **Receive Port (Input/Output, Three-State)**

R_i are the 8-bit data outputs in the Transmit mode, and the inputs in the Receive mode.

 T_i **Transmit Port (Input/Output, Three-State)**

T_i are the 8-bit data outputs in the Transmit mode, and the inputs in the Receive mode.

Parity**Parity Flag (Input/Output, Three-State)**

In the Transmit mode, the Parity signal is an active output used to generate odd parity. In the Receive mode, the T_i and Parity inputs are combined and checked for odd parity. When both output enables are HIGH, the Parity Flag is in the high impedance state. When both output enables are LOW, the Parity bit forces a parity error.

Am29C833A Only**ERR****Error Flag (Output, Open Drain)**

In the Receive mode, the parity of the T_i bits is calculated and compared to the Parity input. \overline{ERR} goes LOW when the comparison indicates a parity error. \overline{ERR} stays LOW until the register is cleared.

CLR**Clear (Input, Active LOW)**

When \overline{CLR} goes LOW, the Error Flag Register is cleared (\overline{ERR} goes HIGH).

CLK**Clock (Input, Positive Edge-Triggered)**

This pin is the clock input for the Error Flag register.

Am29C853A Only**ERR****Error Flag (Output, Open Drain)**

In the Receive mode, the parity of the T_i bits is calculated and compared to the Parity input. \overline{ERR} goes LOW when the comparison indicates a parity error. \overline{ERR} stays LOW until the latch is cleared.

CLR**Clear (Input, Active LOW)**

When \overline{CLR} goes LOW, the Error Flag latch is cleared (\overline{ERR} goes HIGH).

EN**Latch Enable (Input, Active LOW)**

This pin is the latch enable for the Error Flag latch.

ABSOLUTE MAXIMUM RATINGS

Storage Temperature	-65 to +150°C
Supply Voltage to Ground Potential Continuous	-0.5 V to +7.0 V
DC Output Voltage	-0.5 V to +6.0 V
DC Input Voltage	-0.5 V to +6.0 V
DC Output Diode Current:	
Into Output	+50 mA
Out of Output	-50 mA
DC Input Diode Current:	
Into Input	+20 mA
Out of Input	-20 mA
DC Output Current per Pin:	
Into Output	+100 mA
Out of Output	-100 mA
Total DC Ground Current	
(n x I _{OL} + m x I _{CC1}) mA (Note 1)	
Total DC V _{CC} Current	
(n x I _{OH} + m x I _{CC1}) mA (Note 1)	

Note:

1. n = number of outputs, m = number of inputs.

Stresses above those listed under Absolute Maximum Ratings may cause permanent device failure. Functionality at or above these limits is not implied. Exposure to absolute maximum ratings for extended periods may affect device reliability.

OPERATING RANGES**Commercial (C) Devices**

Ambient Temperature (T _A)	0 to +70°C
Supply Voltage (V _{CC})	+4.5 to +5.5 V

Military (M) Devices

Ambient Temperature (T _A)	-55 to +125°C
Supply Voltage (V _{CC})	+4.5 to +5.5 V

Operating ranges define those limits between which the functionality of the device is guaranteed.



DC CHARACTERISTICS over operating range unless otherwise specified
 (for APL Products, Group A, Subgroups 1, 2, 3 are tested unless otherwise noted)

Parameter Symbol	Parameter Description	Test Conditions		Min.	Max.	Unit	
V _{OH}	Output HIGH Voltage	V _{CC} = 4.5 V, V _{IN} = V _{IH} or V _{IL}	I _{OH} = -15 mA	2.4		V	
V _{OL}	Output LOW Voltage	V _{CC} = 4.5 V, V _{IN} = V _{IH} or V _{IL}	MIL I _{OL} = 32 mA		0.5	V	
			COM'L I _{OL} = 48 mA		0.5	V	
V _{IH}	Input HIGH Voltage	Guaranteed Input Logical HIGH Voltage (Note 1)	Am29C853A Am29C833A	All Inputs	2	V	
V _{IL}	Input LOW Voltage	Guaranteed Input Logical LOW Voltage for All Inputs (Note 1)			0.8	V	
V _I	Input Clamp Voltage	V _{CC} = 4.5 V, I _{IN} = -18 mA			-1.2	V	
I _{IL}	Input LOW Current	V _{CC} = 5.5 V, Input Only	V _{IN} = 0.0 V		-5	μA	
I _{IH}	Input HIGH Current	V _{CC} = 5.5 V, Input Only	V _{IN} = 5.5 V		5	μA	
I _{OZH}	Output Off-State Current (High Impedance)	V _{CC} = 5.5 V, I/O Port	V _{OUT} = 5.5 V		10	μA	
I _{OZL}		V _{CC} = 5.5 V, I/O Port	V _{OUT} = 0.0 V		-10	μA	
I _{SC}	Output Short-Circuit Current	V _{CC} = 5.5 V, V _O = 0 V (Note 2)		-60		mA	
I _{CCO}	Static Supply Current	V _{CC} = 5.5 V Outputs Open	V _{IN} = V _{CC} or GND	MIL		1.5	mA
				COM'L		1.2	
I _{CC†}	Dynamic Supply Current	V _{CC} = 5.5 V (Note 3)	V _{IN} = 3.4 V	R _i , T _i , Parity		1.5	mA/ Bit
				CL _R , CL _K , (Note 4) O _{ET} , O _{ER}		3.0	
I _{CC†}	Dynamic Supply Current	V _{CC} = 5.5 V (Note 3)		Outputs Open		275	μA/ MHz/ Bit
				Outputs Loaded		400	

Notes:

1. Input thresholds are tested in combination with other DC parameters or by correlation.
 2. Not more than one output shorted at a time, duration should not exceed 100 milliseconds.
 3. Measured at a frequency ≤ 10 MHz with 50% duty cycle.
 4. For Am29C853A, replace CLK with EN.
- † Not included in Group A tests.

SWITCHING CHARACTERISTICS for light capacitive loading over operating ranges unless otherwise specified (for APL Products, Group A, Subgroups 9, 10, 11 are tested unless otherwise noted)

Symbol	Parameter Description	Test Conditions*	Commercial		Military		Unit	
			Min.	Max.	Min.	Max.		
t _{PLH}	Propagation Delay to R _i to T _i	C _L = 50 pF R ₁ = 500 Ω R ₂ = 500 Ω	2	10.5	2	12	ns	
t _{PHL}	T _i to R _i (Note 3)		2	10.5	2	12	ns	
t _{PLH}	Propagation Delay R _i to Parity		4	13	4	14.5	ns	
t _{PHL}			4	13	4	14.5	ns	
t _{ZH}	Output Enable Time (O _{EN} to R _i , T _i and Parity)		2	10.5	2	12	ns	
t _{ZL}			2	10.5	2	12	ns	
t _{HZ}	Output Disable Time (O _{DF} to R _i , T _i and Parity)		1.5	10.5	1.5	12	ns	
t _{LZ}			1.5	10.5	1.5	12	ns	
t _s	T _i , Parity to CLK Setup Time (Note 1)		8		10		ns	
t _H	T _i , Parity to CLK		Am29C833A	0		2		ns
	Hold Time (Note 1)		Am29C853A	1		3		ns
t _{REC}	Clear (CLR) to CLK Setup Time (Note 2)			2		4		ns
t _{PWH}	Clock Pulse Width (Note 1)		HIGH	6		9		ns
t _{PWL}			LOW	6		9		ns
t _{PWL}	Clear Pulse Width		LOW	6		9		ns
t _{PHL}	Propagation Delay CLK to ERR (Note 1)			2	10	2	14	ns
t _{PLH}	Propagation Delay CLR to ERR			8	18	8	21	ns
t _{PLH}	Propagation Delay T _i , Parity to ERR (PASS Mode Only) Am29C853A			6	19	6	21	ns
t _{PHL}				6	19	6	21	ns
t _{PLH}	Propagation Delay O _{EN} to Parity			2	13	2	15	ns
t _{PHL}			2	13	2	15	ns	

*See Test Circuit and Waveforms listed in Chapter 2.

Notes:

1. For Am29C853A, replace CLK with EN.
2. Applies only to Am29C833A.
3. For more details refer to a Minimization of Ground Bounce Through Output Edge-Rate Control Application Note (See Chapter 3).

SWITCHING CHARACTERISTICS for heavy capacitive loading over operating ranges unless otherwise specified (Note 4)

Symbol	Parameter Description	Test Conditions*	Commercial		Military		Unit
			Min.	Max.	Min.	Max.	
t _{PLH}	Propagation Delay to Ri to Ti, Ti to Ri (Note 3)	CL = 300 pF R1 = 500 Ω R2 = 500 Ω	2	14	2	15.5	ns
t _{PHL}			2	15	2	16.5	ns
t _{PLH}	Propagation Delay Hi to Parity		4	18	4	19.5	ns
t _{PHL}			4	18	4	19.5	ns
t _{ZH}	Output Enable Time \overline{OER} , \overline{OET} to Ri, Ti and Parity		2	14	2	15.5	ns
t _{ZL}			2	18.5	2	20.0	ns
t _{PLH}	Propagation Delay \overline{OER} to Parity		2	18	2	20	ns
t _{PHL}			2	17	2	19	ns
t _{HZ}	Output Disable Time \overline{OER} , \overline{OET} to Ri, Ti and Parity		1.5	7	1.5	8.5	ns
t _{LZ}			1.5	7	1.5	8.5	ns

*See Test Circuit and Waveforms listed in Chapter 2.

Notes:

1. For Am29C853A, replace CLK with \overline{EN} .
2. Applies only to Am29C833A.
3. For more details refer to a Minimization of Ground Bounce Through Output Edge-Rate Control Application Note (See Chapter 3).
4. These parameters are guaranteed by characterization but not production tested.