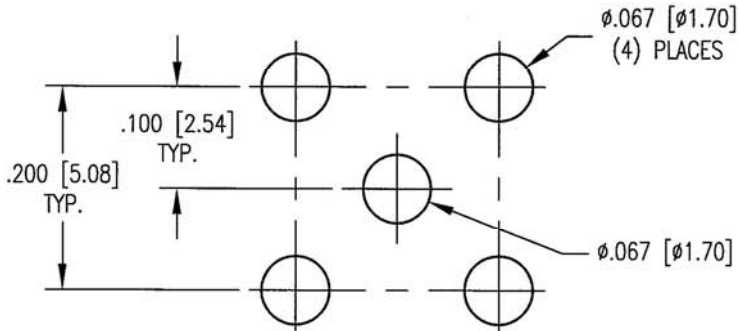
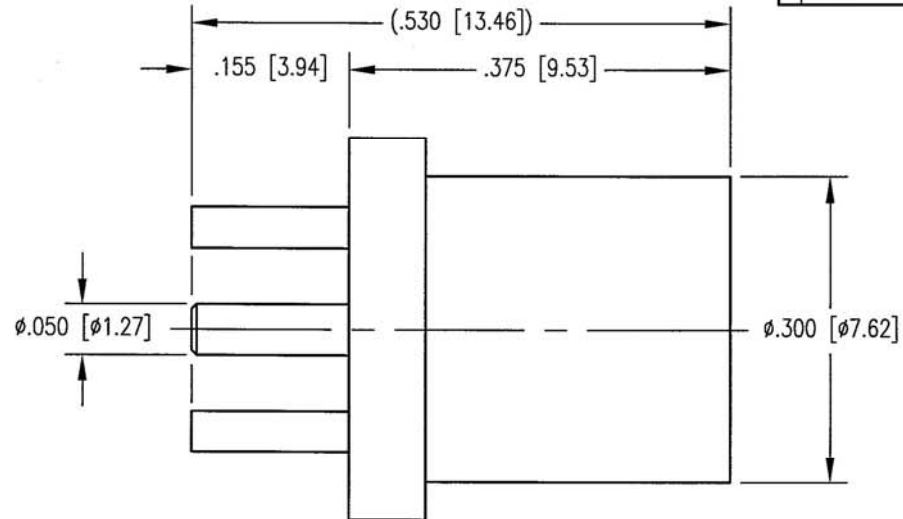
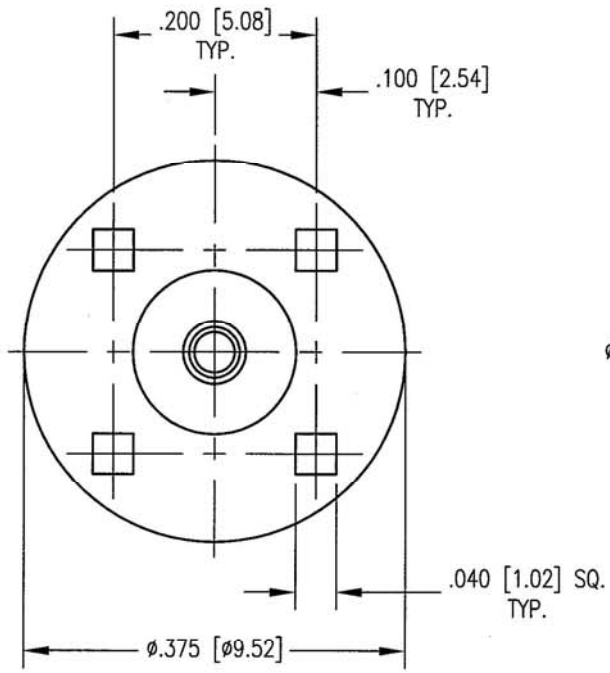


DWG. NO. 361-060-0040H

REV	DESCRIPTION	BY DATE	APPD
A	RELEASED PER ECR 7417	7/22/02	<i>[Signature]</i>



RECOMMENDED MOUNTING HOLE

- NOTES:
- MATERIALS:
 CONTACTS: COPPER ALLOY
 INSULATOR: TEFLON PER ASTM D1710
 ALL OTHER METAL PARTS: BRASS PER ASTM B16
 - FINISH:
 CONTACTS AND SHROUD: .000030 MIN. GOLD PER MIL-G-45204 OVER
 .000050 MIN. NICKEL PER QQ-N-290
 BODY: .000015 MIN. GOLD PER MIL-G-45204 OVER
 .000050 MIN. NICKEL PER QQ-N-290

PER ASME Y14.5M-1994 UNLESS OTHERWISE SPECIFIED: DIMENSIONS ARE IN INCHES (MM)			
TOLERANCES: DECIMALS .XX ± .01 [0.254] .XXX ± .005 [0.127] ANGLES ± 2° SCALE: 6:1			
CUSTOMER DRAWING		TITLE BMA STRAIGHT PCB MOUNT RECEPTACLE	
DRAWN JED	DATE 7/22/02	CHECKED <i>[Signature]</i>	DATE 7-26-02
APPROVED <i>[Signature]</i>	DATE APPROVED 7/27/02	DATE 7/27/02	DATE 7/27/02
A 361-060-0040H		SH. OF 1 1	REV. A