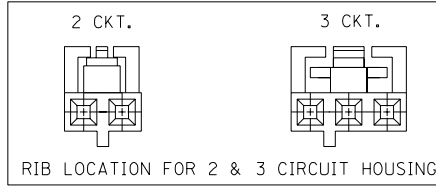


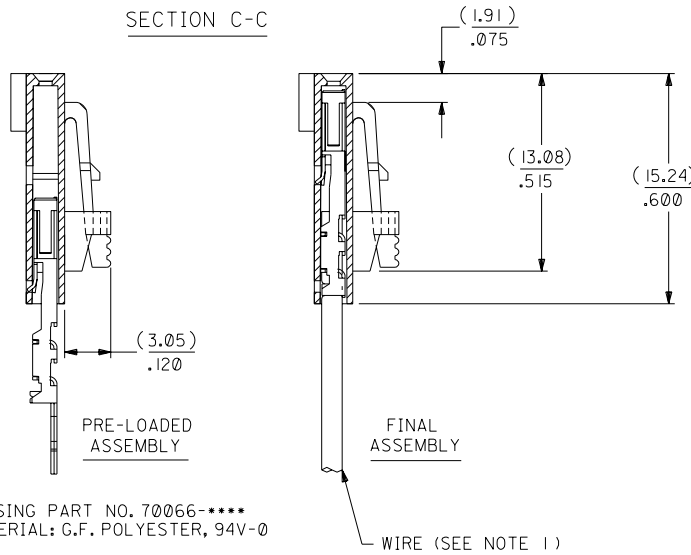
# OPTION G

## NOTES:

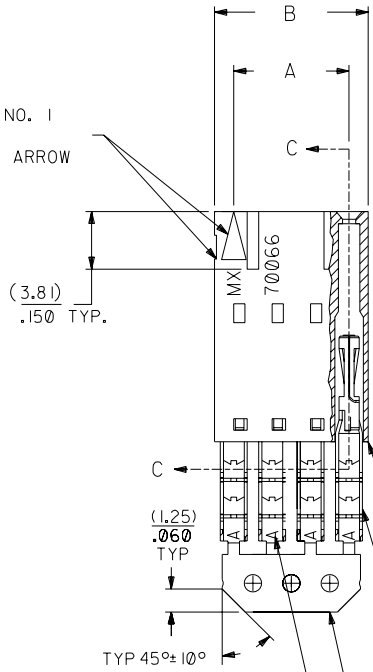
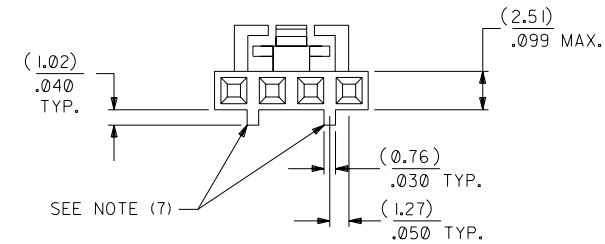
- TO BE USED WITH (24) AWG. STRANDED WIRE WITH (1.35)/.053 DIA. MAX. INSULATION.
- SEE CHART FOR CIRCUIT SIZES.
- STANDARD PACKAGING PER PK-70873-0001. OPTIONAL PACKAGING MAY BE AVAILABLE, REQUEST DWG. PK-70400
- PARTS STACKABLE END TO END ON (2.54)/.100 CENTERS.
- REFER TO PRODUCT SPECIFICATION: PS-70400.
- SEE DWG. SDA-70400-\*\*\*\* (SHT. 5) FOR OPTIONAL HOUSING DETAILS.
- 4 CIRCUIT SHOWN. 4 - 25 CKT'S. HAVE (2) RIBS.
- TO MATE WITH MOLEX PART NO'S.: A-70373-\*\*\*\*, A-70375-\*\*\*\*, A-70389-\*\*\*\*, A-70391-\*\*\*\*, 70107-\*\*\*\*, 70018-\*\*\*\*, A-70543-\*\*\*\*, A-70553-\*\*\*\*, A-70541-\*\*\*\*, A-70551-\*\*\*\*, A-70545-\*\*\*\*, A-70555-\*\*\*\*.
- 2 CIRCUIT ASSEMBLIES SUPPLIED AS GROUPED PAIRS.



## SECTION C-C



CIRCUIT NO. 1  
SLOT OR ARROW



HOUSING PART NO. 70066-\*\*\*\*  
MATERIAL: G.F. POLYESTER, 94V-0

TERMINAL PART NO. 70028-\*\*\*\*  
MATERIAL: PHOSPHOR BRONZE  
PLATING PER ES-88-\*\*\*

15 GOLD - .000015 MIN. GOLD IN SELECT AREA WITH .000075 MIN. TIN IN SELECT AREA OVER .000050 MIN. NICKEL OVER-ALL.

\*THE PRIMARY SHIPPING CARTON WILL BE LABELED "COMPLIANT TO ROHS DIRECTIVE 2002/95/EC AND ELV ANNEX II OF DIRECTIVE 2000/53/EC". CARTONS WITHOUT THIS LABEL MAY CONTAIN PRODUCT WITH LEAD.

I.D. SLOT CODE TO WIRE GAUGE CHART	
I.D. SLOT CODE	WIRE GAUGE
A	24 AWG.

PLATING CODE (STRIPE ON CARRIER STRIP)	
PLATING	COLOR
15 GOLD	YELLOW

CKT. SIZE	A	B	EDP. NO.	ENG. NO.
2	( 2.54 ) .100	( 5.05 ) .199	14-56-2022	A-70400-0666
3	( 5.08 ) .200	( 7.59 ) .299	14-56-2032	A-70400-0667
4	( 7.62 ) .300	( 10.13 ) .399	14-56-2042	A-70400-0668
5	( 10.16 ) .400	( 12.67 ) .499	14-56-2052	A-70400-0669
6	( 12.70 ) .500	( 15.21 ) .599	14-56-2062	A-70400-0670
7	( 15.24 ) .600	( 17.75 ) .699	14-56-2072	A-70400-0671
8	( 17.78 ) .700	( 20.29 ) .799	14-56-2082	A-70400-0672
9	( 20.32 ) .800	( 22.83 ) .899	14-56-2092	A-70400-0673
10	( 22.86 ) .900	( 25.37 ) .999	14-56-2102	A-70400-0674
11	( 25.54 ) 1.000	( 27.91 ) 1.099	14-56-2112	A-70400-0675
12	( 27.94 ) 1.100	( 30.45 ) 1.199	14-56-2122	A-70400-0676
13	( 30.48 ) 1.200	( 32.99 ) 1.299	14-56-2132	A-70400-0677
14	( 33.02 ) 1.300	( 35.53 ) 1.399	14-56-2142	A-70400-0678
15	( 35.56 ) 1.400	( 38.07 ) 1.499	14-56-2152	A-70400-0679
16	( 38.01 ) 1.500	( 40.61 ) 1.599	14-56-2162	A-70400-0680
17	( 40.64 ) 1.600	( 43.15 ) 1.699	14-56-2172	A-70400-0681
18	( 43.18 ) 1.700	( 45.69 ) 1.799	14-56-2182	A-70400-0682
19	( 45.72 ) 1.800	( 48.23 ) 1.899	14-56-2192	A-70400-0683
20	( 48.26 ) 1.900	( 50.77 ) 1.999	14-56-2202	A-70400-0684
21	( 50.80 ) 2.000	( 53.31 ) 2.099	14-56-2212	A-70400-0685
22	( 53.34 ) 2.100	( 55.85 ) 2.199	14-56-2222	A-70400-0686
23	( 55.88 ) 2.200	( 58.39 ) 2.299	14-56-2232	A-70400-0687
24	( 58.42 ) 2.300	( 60.93 ) 2.399	14-56-2242	A-70400-0688
25	( 60.96 ) 2.400	( 63.47 ) 2.499	14-56-2252	A-70400-0689

LTR.	REVISIONS	LTR.	REVISIONS
	G I		F
	G		F
	H		F

DRWG. BY	CHK'D. BY	SCALE
WAZ	WAZ	4 : 1

DIMENSIONS SHOWN (METRIC) INCH	
UNLESS OTHERWISE SPECIFIED TOLERANCES: ANGULAR ± 1/2°	
INCH	METRIC
3 PLACE ± .010	---
2 PLACE ± .014	± 0.25
1 PLACE ---	± 0.35

REVISE ONLY ON CAD SYSTEM	
TITLE	ASSEMBLY, SL CONNECTOR (SINGLE ROW- (2.54)/.100 GRID)
MOLEX INCORPORATED LITSE, ILL. 60532 U.S.A.	SHEET NO. 10/09/84
FILE NAME S70400CX4	DRWG. NO. SDA-70400-0666-0689
THIS DRAWING CONTAINS INFORMATION THAT IS PROPRIETARY TO MOLEX INC. AND SHOULD NOT BE USED WITHOUT WRITTEN PERMISSION.	DA C